



# INSTALLATION INSTRUCTIONS

Accessory  
**SPLASH GUARDS**

Application  
**2012 RL**

Publications No.  
**BII 46940**  
Issue Date  
**OCT 2011**

## PARTS LIST

Left front splash guard



Right front splash guard



Left rear splash guard



Right rear splash guard



4 Spring nuts



12 Self-tapping screws



## TOOLS AND SUPPLIES REQUIRED

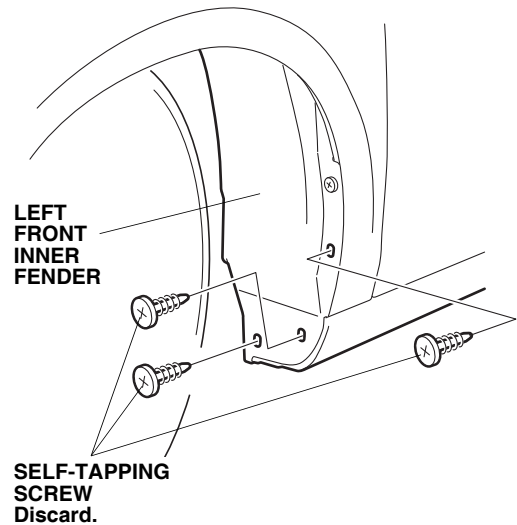
Stubby Phillips screwdriver  
Pushpin

## INSTALLATION

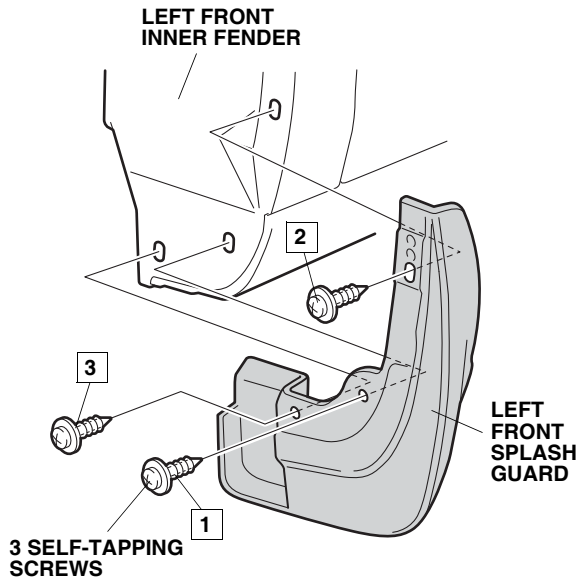
NOTE: Clean and wax the area to be covered with a high-quality paste wax.

### Installing the Front Splash Guards

1. Turn the steering wheel all the way counterclockwise.
2. Remove the three self-tapping screws from the left front inner fender.



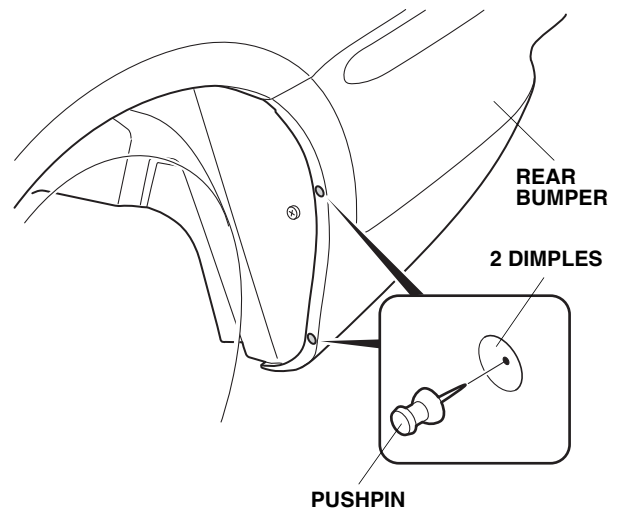
- Position the left front splash guard on the left front inner fender, and tighten the three self-tapping screws in the order shown.



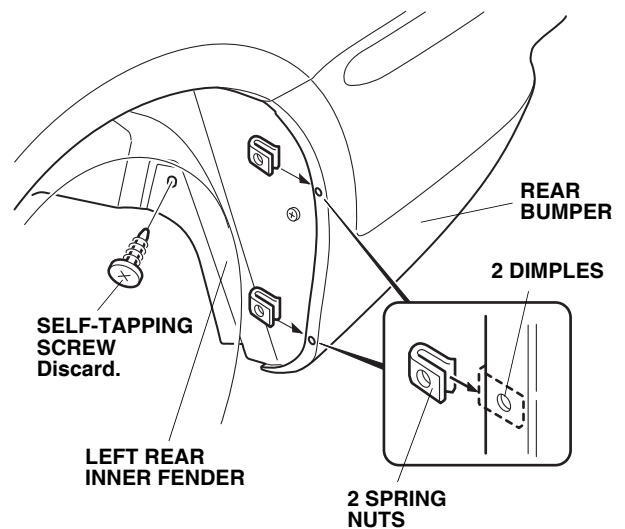
- Turn the steering wheel all the way clockwise, and repeat steps 2 and 3 to install the right front splash guard.

### Installing the Rear Splash Guards

- Using a pushpin, pierce the centers of the two dimples in the rear bumper.

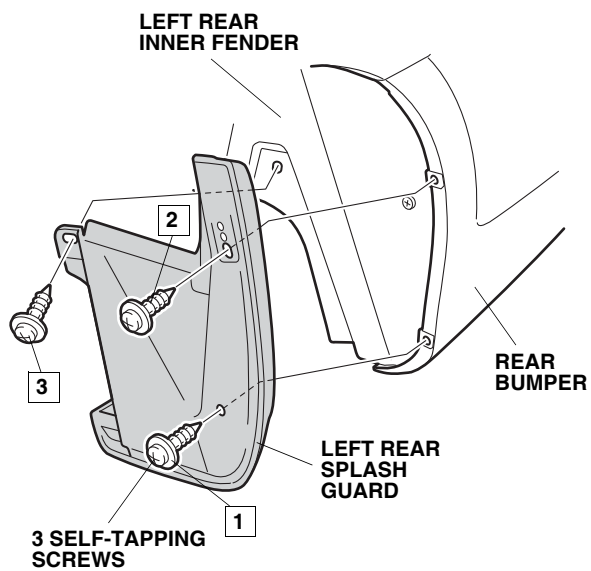


- Remove the one self-tapping screw from the left rear inner fender.



- Slide two spring nuts over the dimples in the rear bumper.

8. Position the left rear splash guard on the rear bumper and left rear inner fender, and tighten the three self-tapping screws in the order shown.



9. Repeat steps 5 thru 8 to install the right rear splash guard.