



INSTALLATION INSTRUCTIONS

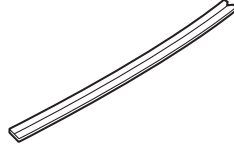
Accessory
DOOR EDGE FILM
P/N 08P20-SJA-200

Application
2012 RL

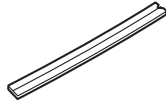
Publications No.
BII 46934
Issue Date
OCT 2011

PARTS LIST

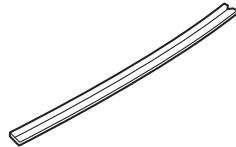
Right front door edge upper film



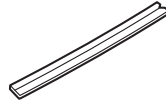
Right front door edge lower film



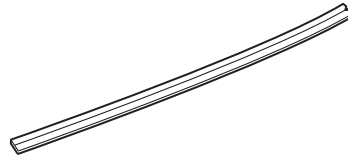
Left front door edge upper film



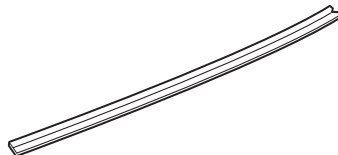
Left front door edge lower film



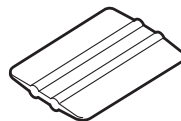
Right rear door edge film



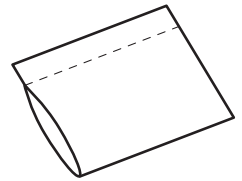
Left rear door edge film



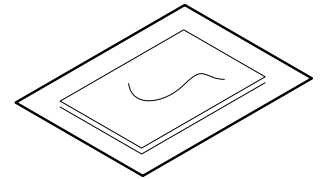
Applicator



Soft sleeve



2 Alcohol swabs



TOOLS AND SUPPLIES REQUIRED

- Shop towel
- Lint-free shop towel
- Spray bottle
- 3M Protective tape application solution

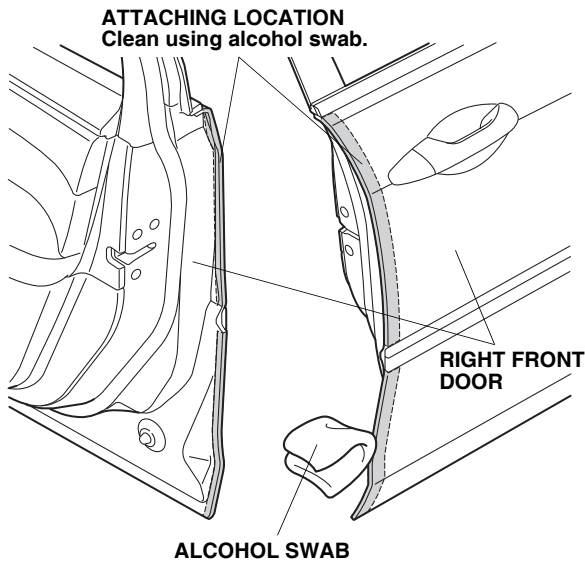
INSTALLATION

NOTE:

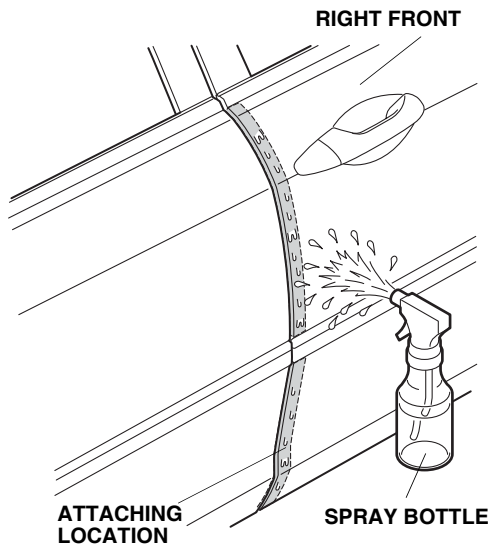
- These instructions show the right door edge films being installed. The same procedure applies to installing the left door edge films.
- Identify each door edge film by referring to the identification marks.
- Be careful not to damage the paint finish.
- The door edge film should be installed only if the ambient air temperature is 15°C (60°F) or above.
- To allow the adhesive to cure, do not wash the vehicle for 24 hours.

Installing the Front Door Edge Upper Film

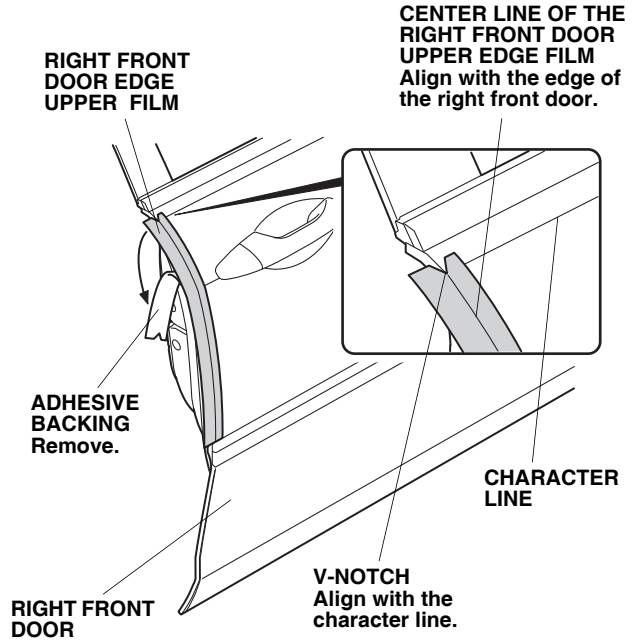
1. Open the right front door. Using an alcohol swab, thoroughly clean the area where the right front door edge film attaches.



2. Close the right front door. Using a spray bottle with 3M protective tape application solution, spray the area where the right front door edge film will attach.
NOTE: Do not spray the inner surface of the door.

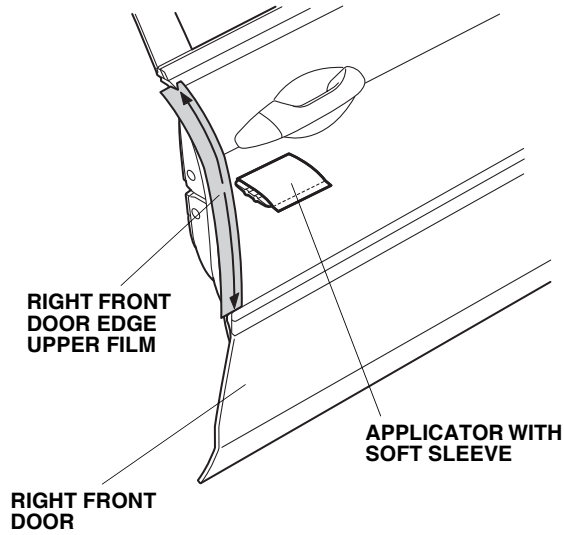


3. Open the right front door again. Peel back about 50 mm (2 in.) of adhesive backing from the right front door edge upper film. Align the V-notch in the right front door edge upper film with the end of the character line on the upper part of the right front door.

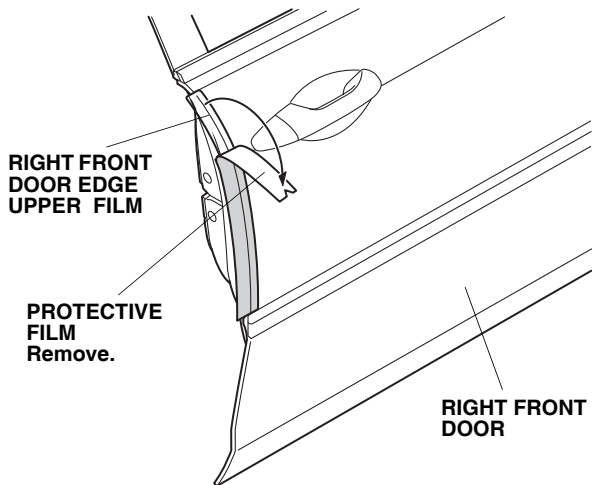


4. Continue to remove the adhesive backing while you align the center line on the door edge film with the edge of the door.

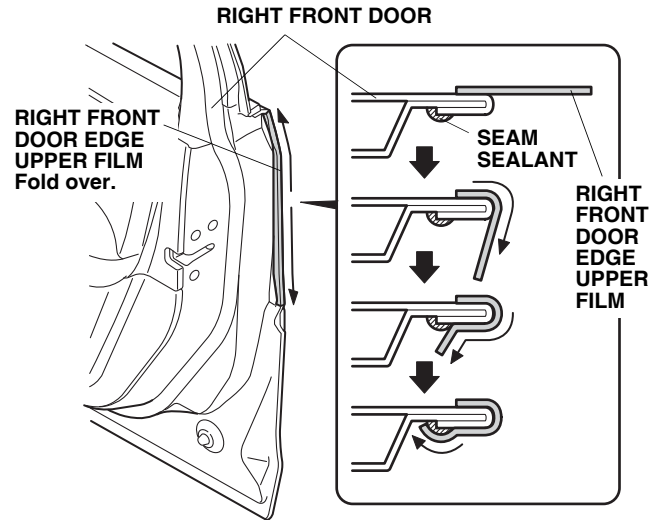
5. Insert the applicator into the soft sleeve. Starting in the middle of the door edge film and working outward, use the soft sleeve to smooth out any bubbles from the film. To avoid lifting the film, move the soft sleeve in only one direction.



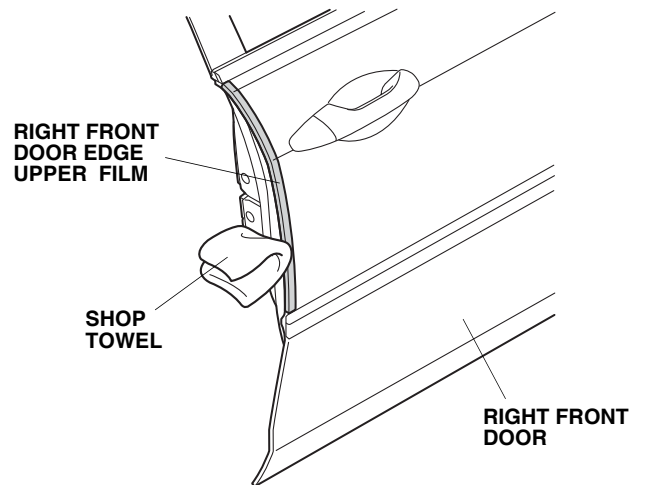
6. When you are satisfied that the door edge film is firmly attached to the edge of the door, slowly remove the outer protective film.



7. Starting from the middle and working outward, fold over the right front door edge upper film onto the inside of the right front door as shown. Move your fingers in one direction only. Take care not to damage the door seal.

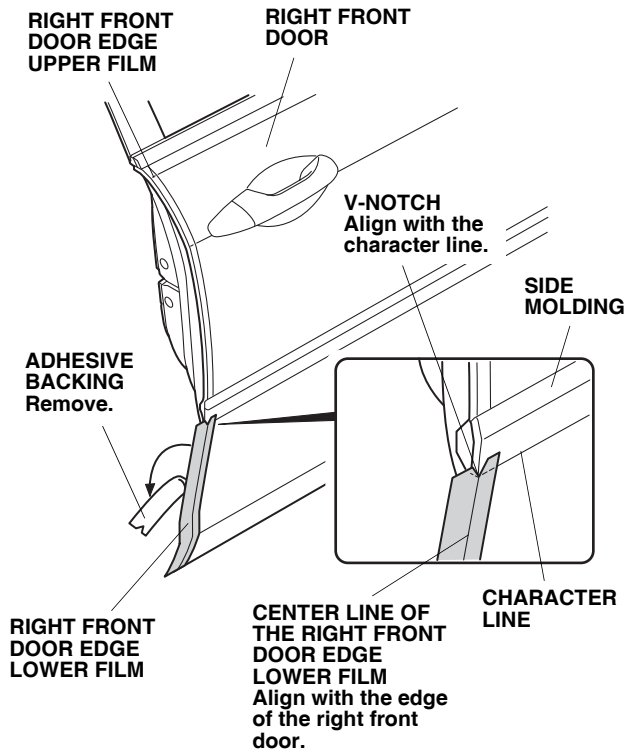


8. Wipe up the water on the right front door edge upper film using a shop towel. Allow the right front door edge upper film to dry thoroughly.



Installing the Front Door Edge Lower Film

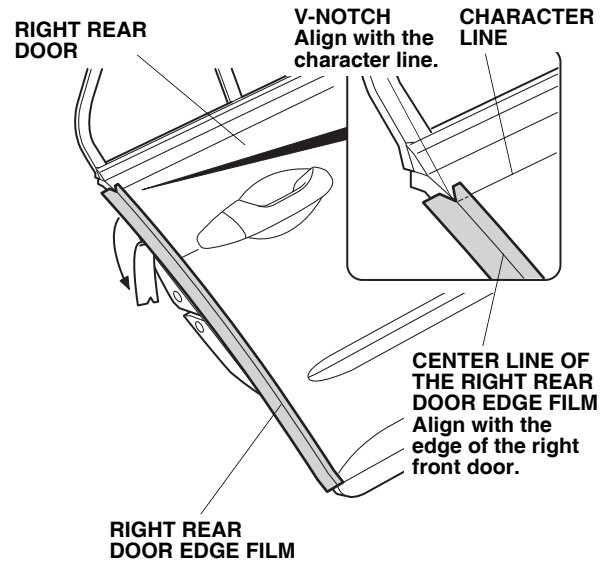
- Repeat steps 3 thru 8 to install the right front door edge lower film on the right front door. Align the V-notch in the right front door edge lower film with the front door side molding.



- Repeat steps 1 thru 9 to install the door edge film on the left front door.

Installing the Rear Door Edge Films

- Repeat steps 1 thru 8 to install the rear door edge films on the rear doors. Align the V-notch in the right rear door edge film with the end of the character line on the upper part of the rear door.



On the right rear door, you will have to lift the door seal to fold the right rear door edge film onto the inside of the right rear door. Take care not to damage the door seal.

