



ACURA INSTALLATION INSTRUCTIONS

Accessory

CARGO NET
P/N 08L96-STK-200

Application

2012 RDX

Publications No.

BII 46124

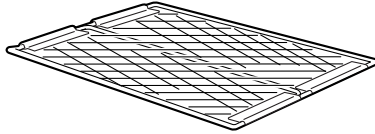
Issue Date

AUG 2011

Put this information in the glove box with the vehicle owner's manual.

PARTS LIST

Cargo net



4 Clips



2 Straps



INSTALLATION

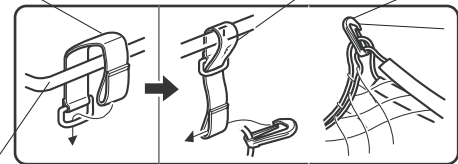
Installing the Cargo Net in Rear Vertical Position:

- Fold the cargo net in half, and attach one clip to each corner of the folded cargo net.
- Attach one strap to the rearward portion of each metal side rail.
- Attach one clip to each rear cargo hook, and attach one clip to each strap.

2 STRAPS

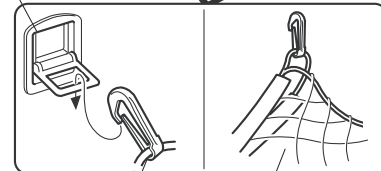
2 STRAPS

2 CLIPS



METAL
SIDE
RAIL

2 REAR
CARGO
HOOKS



CARGO
NET

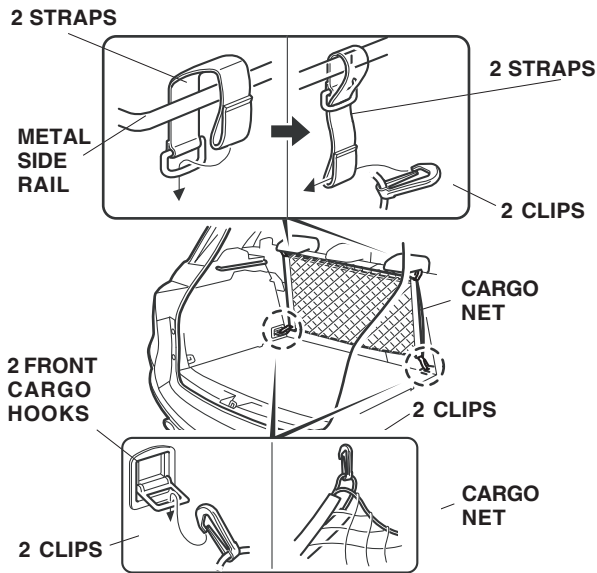
CLIPS

2 CLIPS

CARGO
NET

Installing the Cargo Net in the Front Vertical Position:

- Fold the cargo net in half, and attach one clip to each corner of the folded cargo net.
- Attach one strap to the forward portion of each metal side rail.
- Attach one clip to each front cargo hook, and attach one clip to each upper strap.



Installing the Cargo Net in the Horizontal Position:

Attach one clip to each corner of the cargo net, then attach the clips to the four cargo hooks in the cargo area.

