



ACURA INSTALLATION INSTRUCTIONS

Accessory

CARGO LINER
P/N 08P42-STK-200

Application

2012 RDX

Publications No.

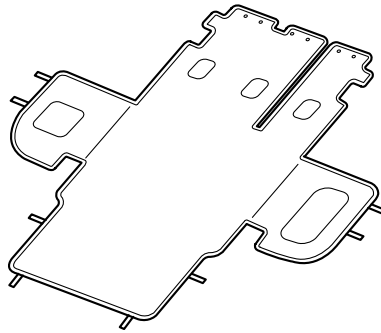
BII 46123

Issue Date

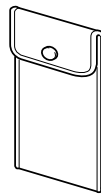
AUG 2011

PARTS LIST

Cargo liner



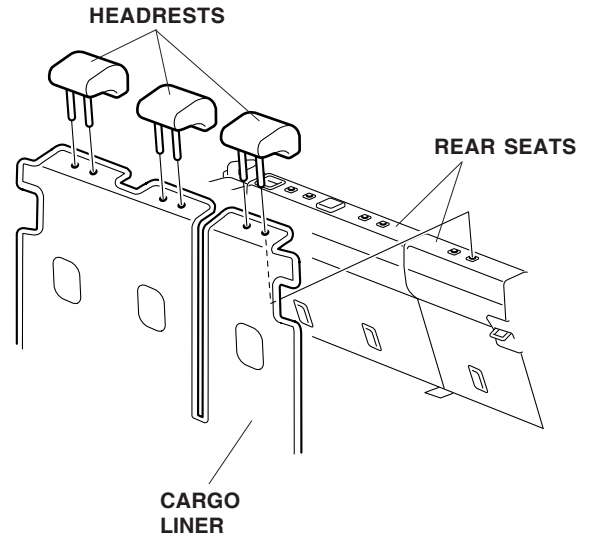
Bag



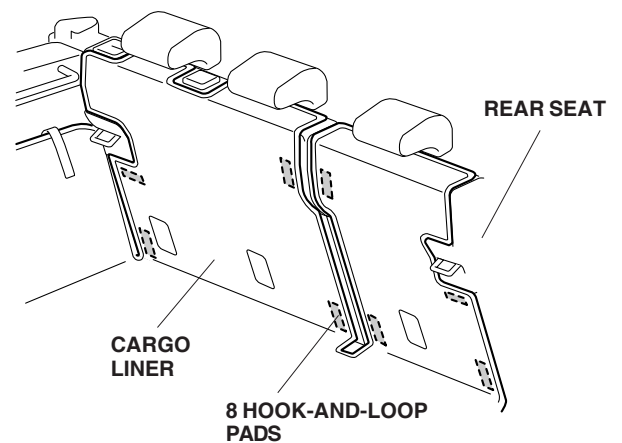
INSTALLATION

NOTE: Be careful not to damage the body.

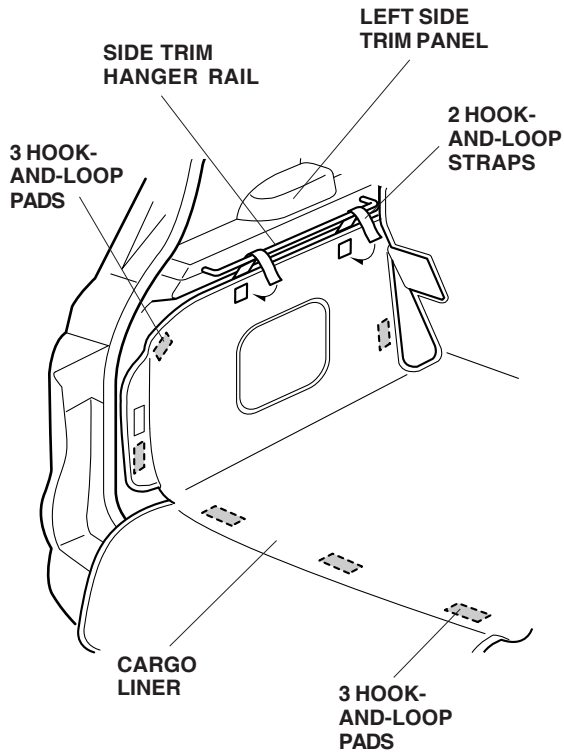
1. Remove the rear seat headrests by pushing the release buttons and lifting the headrests.



2. Install the cargo liner over the rear seats, then reinstall the headrests.
3. Position the cargo liner on the rear seats and securely attach the eight hook-and-loop pads to the rear seats.

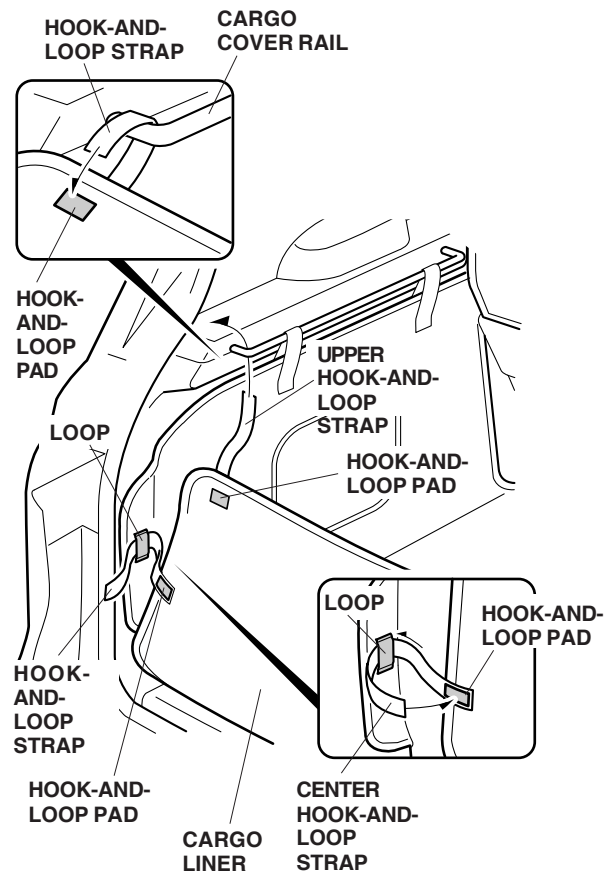


- Position the cargo liner on the left side trim panel and attach the three hook-and-loop pads to the left side trim panel. Route the two hook-and-loop straps around the side trim hanger rail and attach them to the cargo liner securely.



- Repeat on the right side to install the cargo liner to the right side trim panel.
- Align the three hook-and-loop pads on the cargo liner with the attachment positions on the cargo area floor and attach the hook-and-loop pads.

- Raise the back of the cargo liner upright. Route the hook-and-loop strap through the loop in the cargo liner and attach the strap to the hook-and-loop pad.



- Route the upper hook-and-loop strap around the cargo cover rail securely and attach it to the cargo liner.
- Repeat steps 7 and 8 to attach the straps on the right side.