



**ACURA**

**INSTALLATION  
INSTRUCTIONS**

Accessory

**BODY SIDE MOLDING**

Application

**2012 RDX**

Publications No.

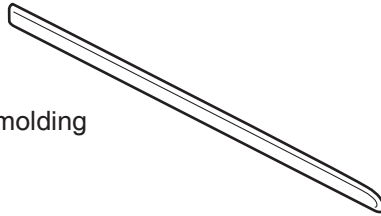
**BII 46122**

Issue Date

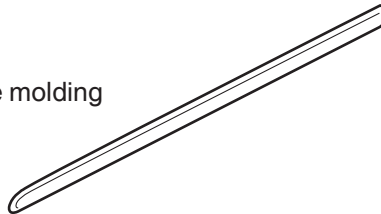
**AUG 2011**

**PARTS LIST**

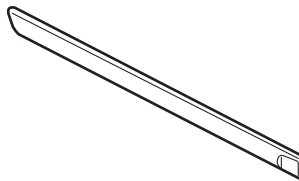
Left front body side molding



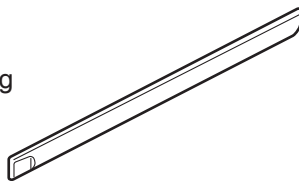
Right front body side molding



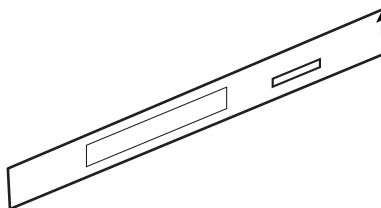
Left rear body side molding



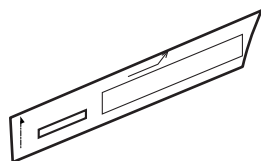
Right rear body side molding



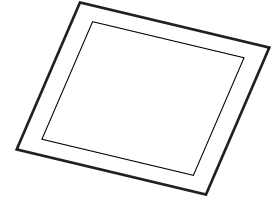
Front template



Rear template



Alcohol swab



**TOOLS AND SUPPLIES REQUIRED**

Shop towel

Masking tape

Rubber roller

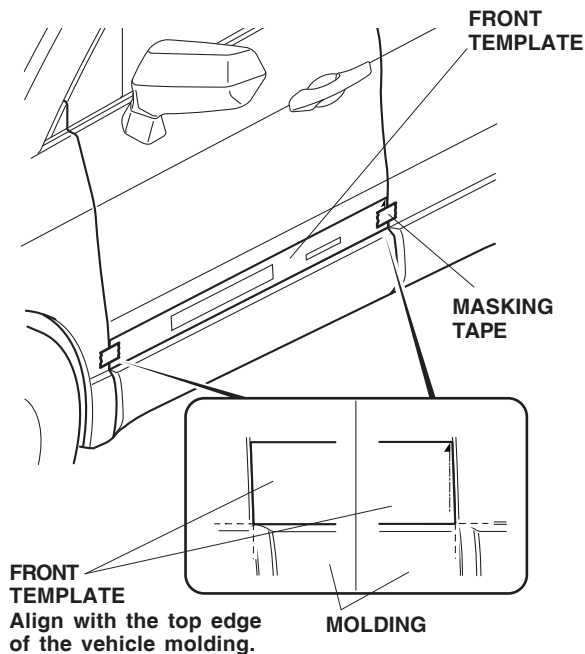
**INSTALLATION**

**NOTE**

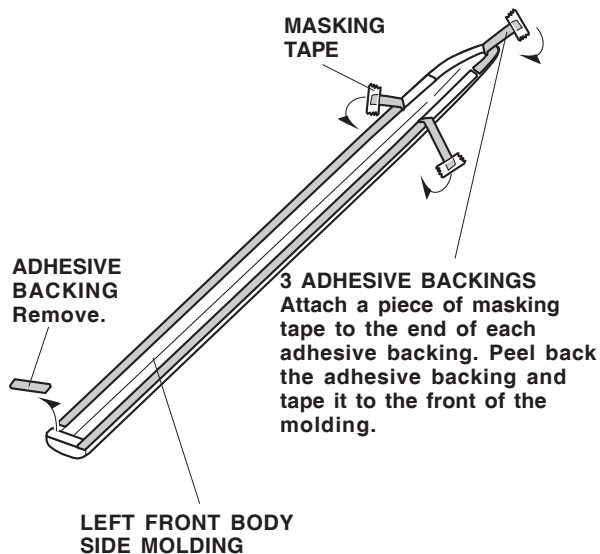
- This body side molding kit should be installed only when the ambient temperature is 60°F (15°C) or above.
- If the vehicle has been repainted, let the paint cure for at least 24 hours before you install the molding.
- Do not remove the protective tape from the molding until you're ready to attach that molding in place.
- Do not install any molding that shows contaminated or damaged adhesive.
- To allow the adhesive to cure, do not wash the vehicle for 24 hours.

## Installing the Front Body Side Molding

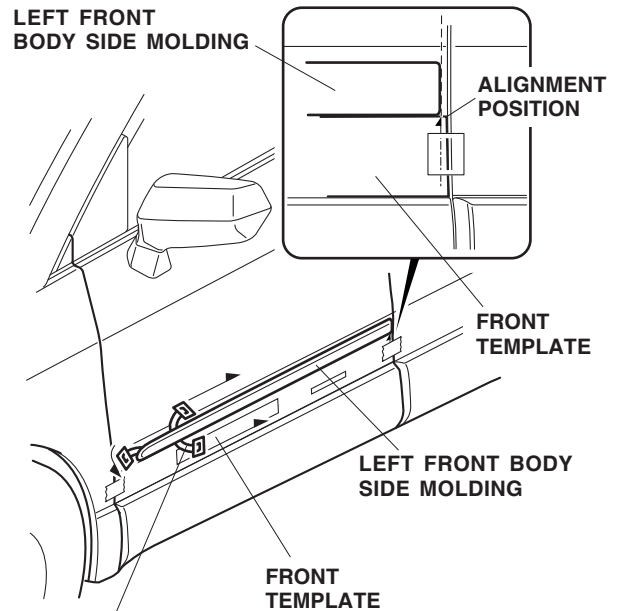
1. Check the surface where the left front body side molding will attach, and clean the surface using the alcohol swab.



2. Position the front template as shown by aligning it with the edge of the left front door and the top edge of the vehicle molding. Secure the template with masking tape as shown.
3. Peel back the three adhesive backings and tape them to the front surface of the body side molding with pieces of masking tape. Remove the remaining adhesive backing.



4. Align the rear edge of the left front body side molding with the front template, and attach it using the top edge of the template as a guide.

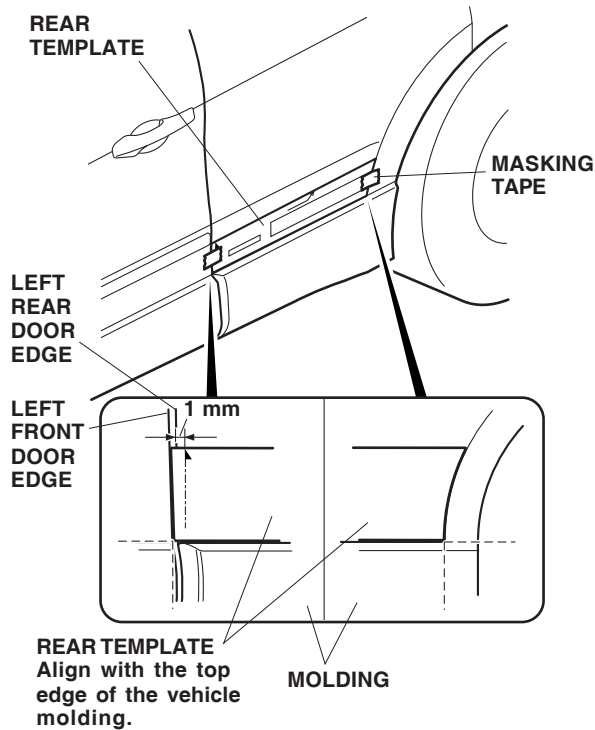


**3 ADHESIVE BACKINGS**  
Press on the body side molding firmly with the palm of your hand while removing the adhesive backings.

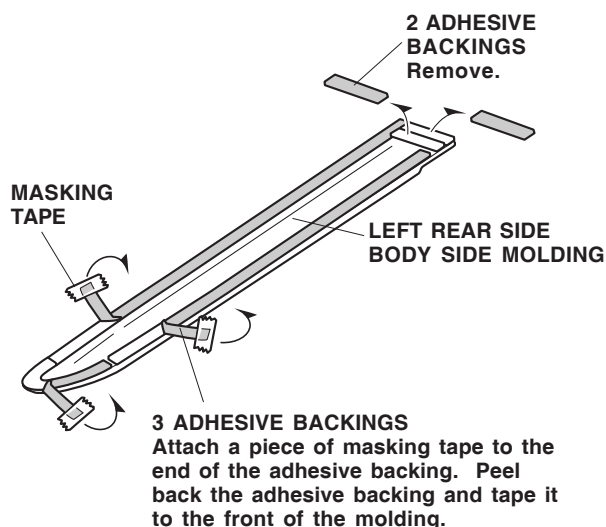
5. Press on the left front body side molding with the palm of your hand while removing the adhesive backings. Remove about 50 to 100 mm at a time and press that section of the molding against the body.
6. Remove the front template.

## Installing the Rear Body Side Molding

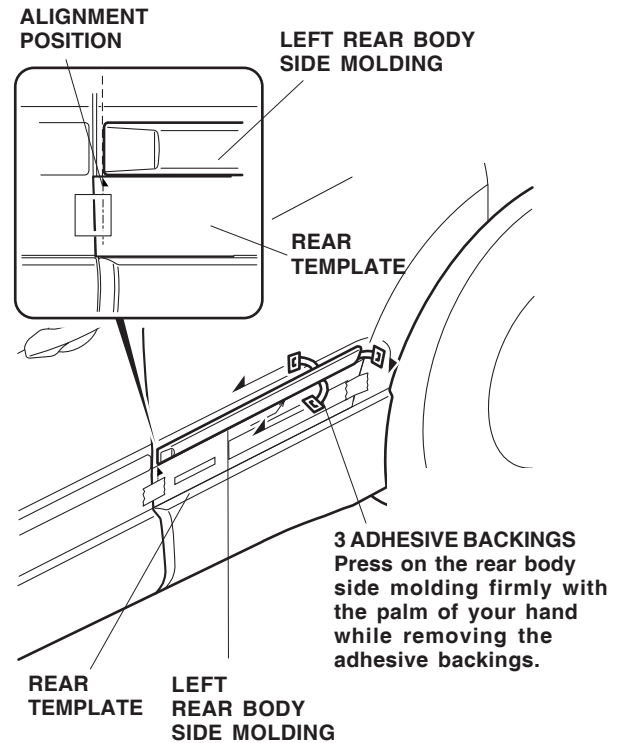
7. Check the surface where the left rear body side molding will attach, and clean the surface using the alcohol swab.



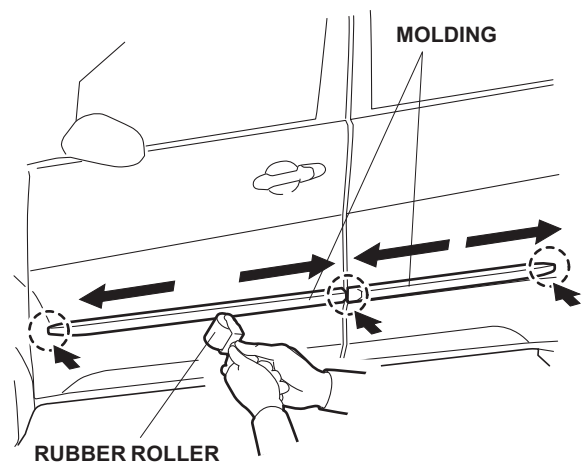
8. Position the rear template as shown by aligning it with the edge of the left front door and the top edge of the vehicle molding. Secure the rear template with masking tape as shown.
9. Peel back the three adhesive backings and tape them to the front side of the left rear body side molding with pieces of masking tape. Remove the remaining adhesive backings.



10. Align the front edge of the left rear side molding with the rear template as shown, and attach it using the top edge of the template as a guide.



11. Press on the left rear body side molding with the palm of your hand while removing the adhesive backings. Remove about 50 to 100 mm at a time and press that section of the molding against the body.
12. Remove the rear template.
13. Using a hard rubber roller, apply pressure along the entire length of the moldings.



14. Hold the molding firmly against the door with the palm of your hand, especially at both edges, for 30 seconds.
15. Repeat steps 1 thru 14 to install the body side molding on the right side of the vehicle.