



# INSTALLATION INSTRUCTIONS

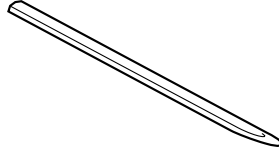
Accessory  
BODY SIDE MOLDING

Application  
2011 ZDX

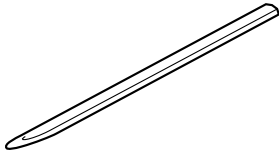
Publications No.  
BII 45326  
Issue Date  
DEC 2010

## PARTS LIST

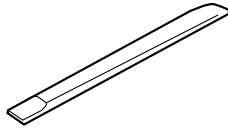
Left front body side molding



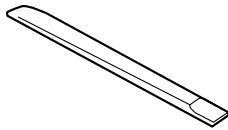
Right front body side molding



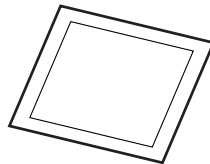
Left rear body side molding



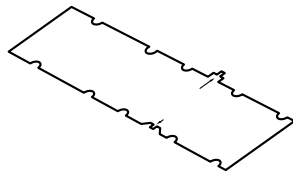
Right rear body side molding



4 Alcohol swabs



Template



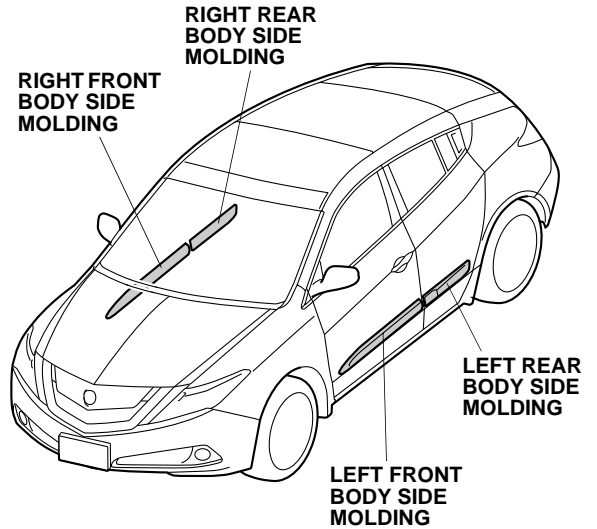
## TOOLS AND SUPPLIES REQUIRED

Masking tape

Rubber roller

T/N MHLE54D

**Illustration of the Body Side Moldings Installed on the Vehicle**



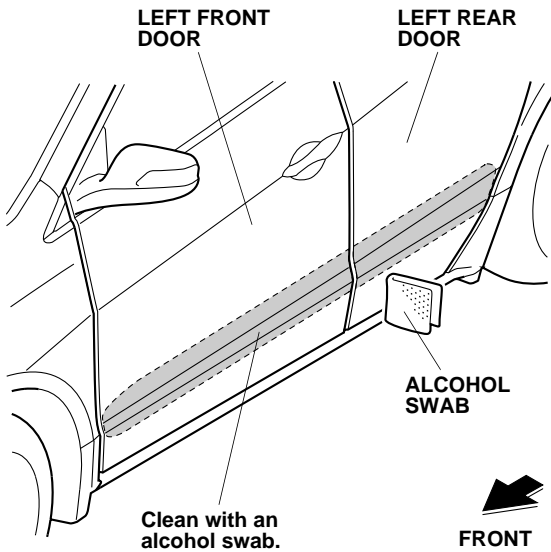
## INSTALLATION

**Client Information:** The information in this installation instruction is intended for use only by skilled technicians who have the proper tools, equipment, and training to correctly and safely add equipment to your vehicle. These procedures should not be attempted by "do-it-yourselfers."

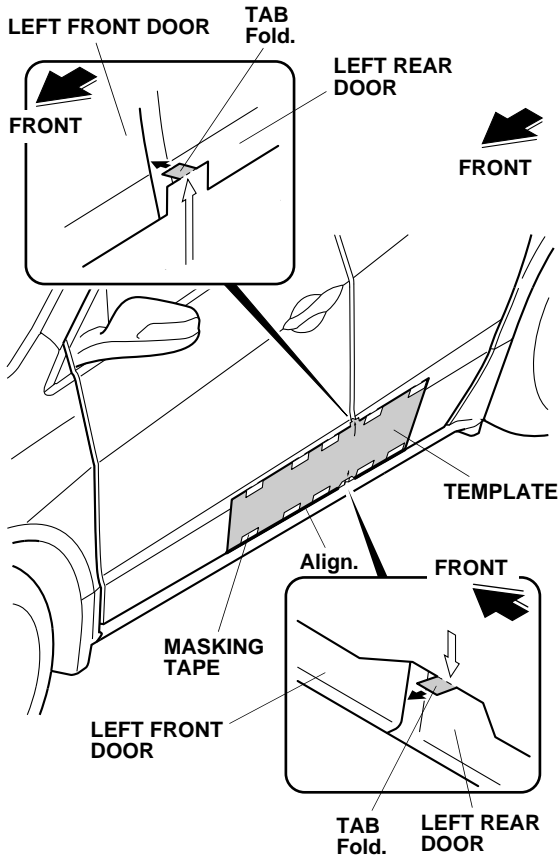
### NOTE:

- Do not damage the body paint finish.
- This kit should be installed only if the ambient air temperature is 15°C (60°F) or above.
- To allow the adhesive to cure, do not wash the vehicle for 24 hours. Please advise the client.

- Using an alcohol swab, clean the areas where the left body side moldings will attach.

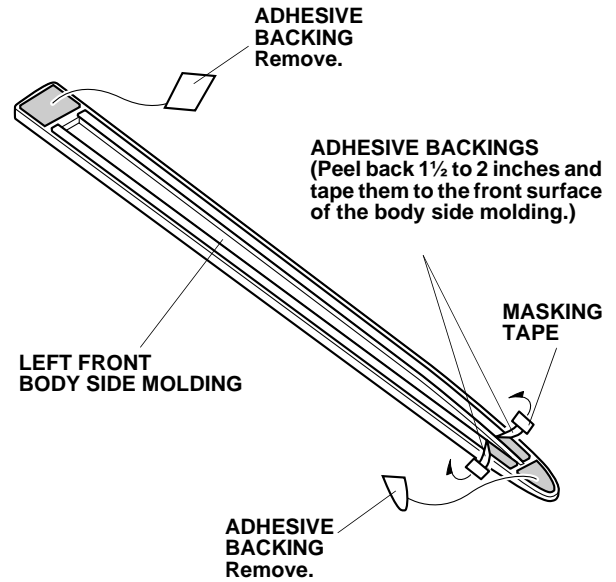


- Fold two tabs on the template. Insert two tabs on the template between the left front door and left rear door.

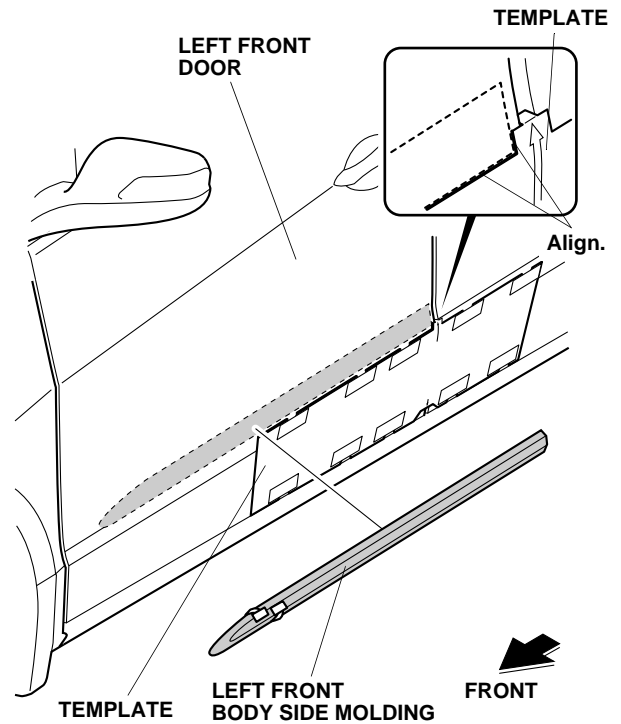


- Align the template to the left front door and left rear door and attach it with pieces of masking tape as shown.

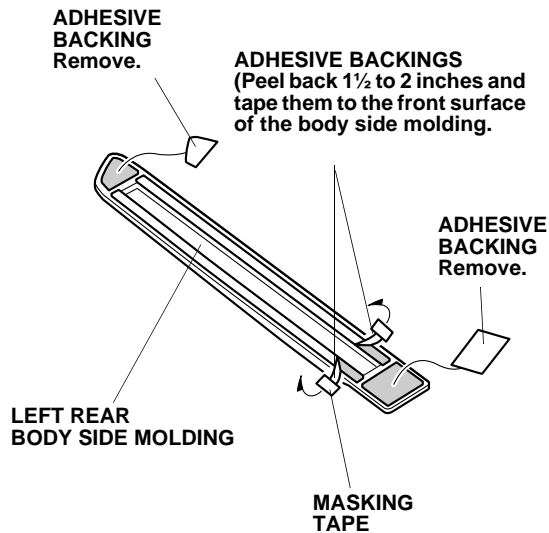
- Peel back approximately 1½ to 2 inches of adhesive backing from each adhesive strip, and tape the ends to the front surface of the body side molding. Remove the small end pieces of adhesive backing.



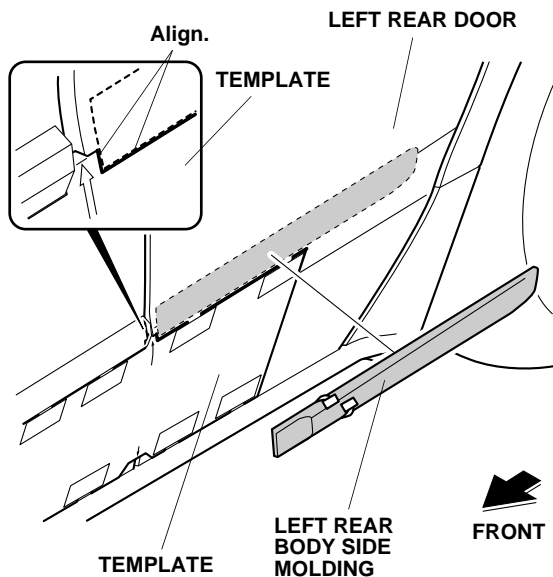
- Align the left front body side molding with the template and attach it to the left front door as shown.



6. Peel back approximately 1½ to 2 inches of adhesive backing from each adhesive strip, and tape the ends to the front surface of the body side molding. Remove the small end pieces of adhesive backing.

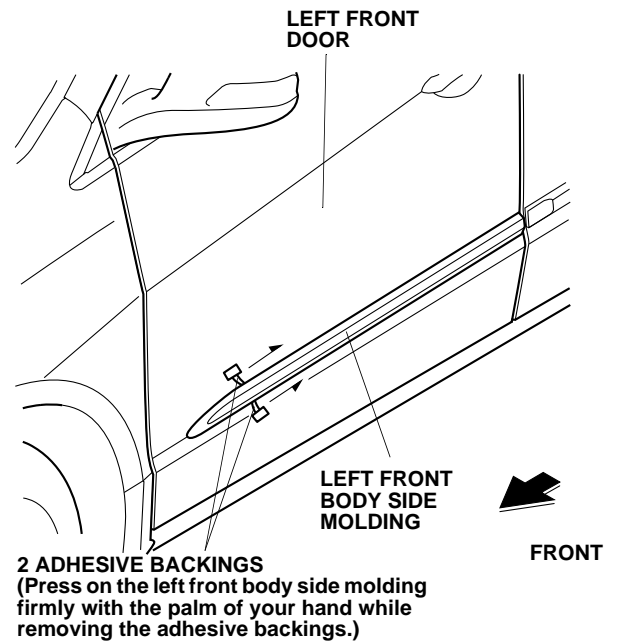


7. Align the left rear body side molding with the template and attach it to the left rear door as shown.

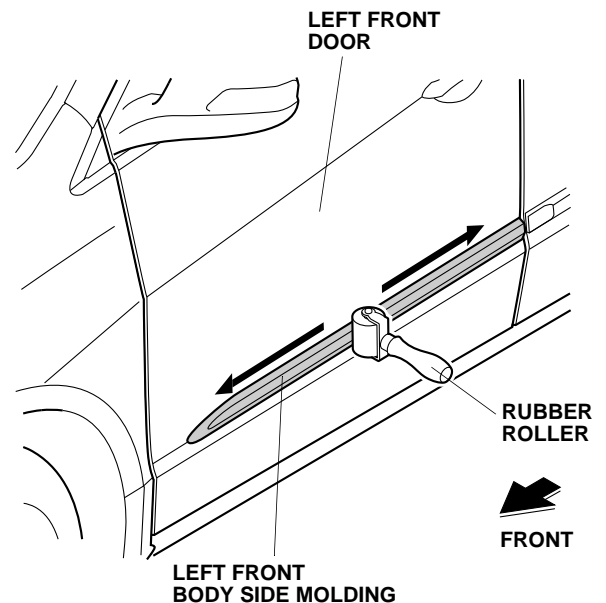


8. Remove the template.

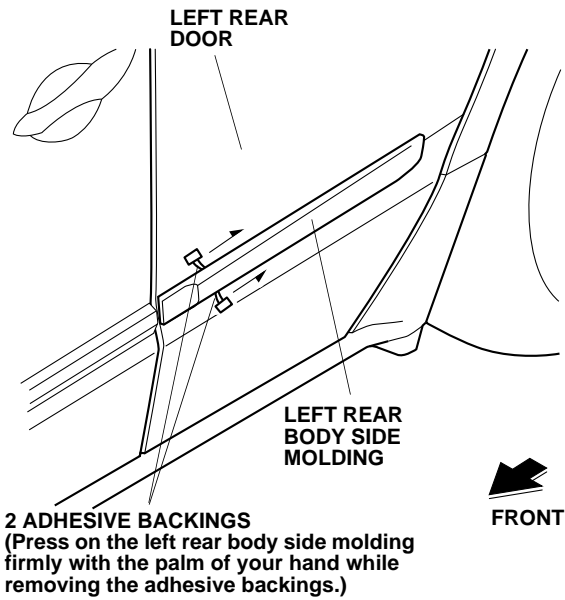
9. Press on the left front body side molding firmly with the palm of your hand while removing the adhesive backings. Remove about 50 to 100 mm at a time.



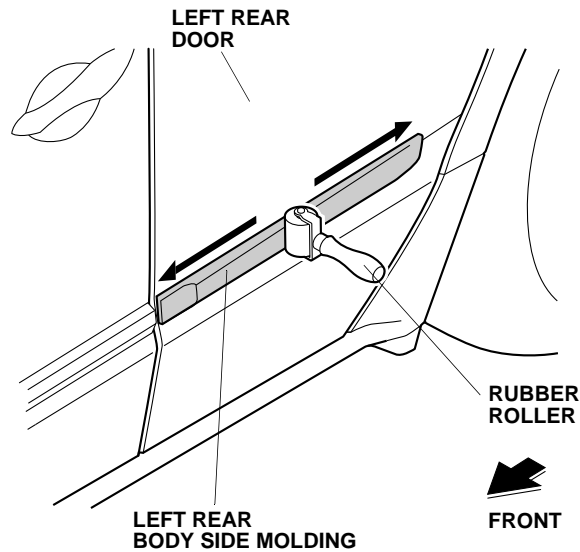
10. Using a rubber roller, apply pressure against the left front body side molding and roll from one end to the other.



11. Press on the left rear body side molding firmly with the palm of your hand while removing the adhesive backings. Remove about 50 to 100 mm at a time.



12. Using a rubber roller, apply pressure against the left rear body side molding and roll from one end to the other.



13. Turn the template over and repeat steps 1 through 12 to install the right side body side moldings.