



# INSTALLATION INSTRUCTIONS

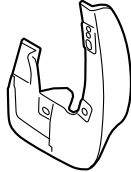
Accessory  
**SPLASH GUARDS**

Application  
**2011 TSX**

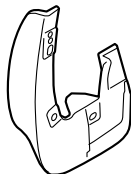
Publications No.  
**BII 44995**  
Issue Date  
**NOV 2010**

## PARTS LIST

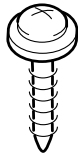
Left front splash guard



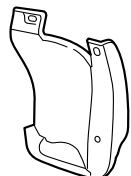
Right front splash guard



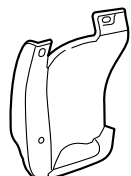
12 Self-tapping screws



Left rear splash guard



Right rear splash guard

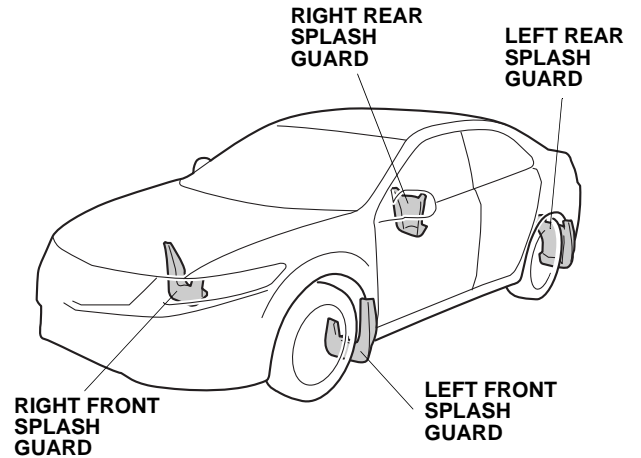


## TOOLS AND SUPPLIES REQUIRED

Stubby Phillips screwdriver

Pushpin

## Illustration of the Splash Guards Installed on the Vehicle



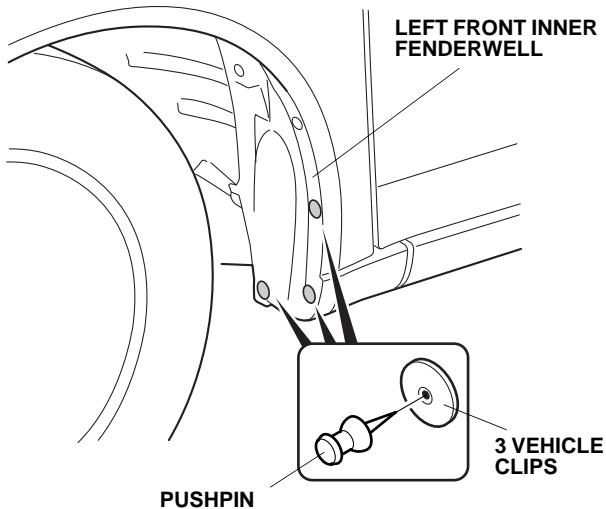
## INSTALLATION

### NOTE:

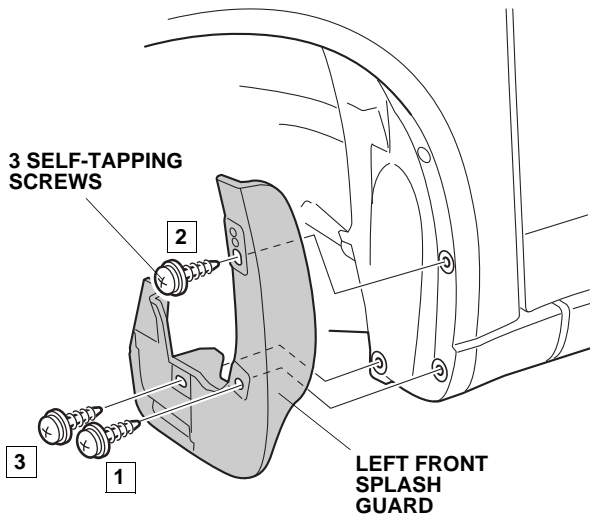
1. These instructions show the left splash guards being installed. The same procedure applies to installing the right splash guards.
2. Clean and wax the areas to be covered with a high-quality paste wax.

## Installing the Front Splash Guards

- Turn the steering wheel fully counterclockwise.
- Using a pushpin, pierce the center of the three vehicle clips in the left front inner fenderwell.



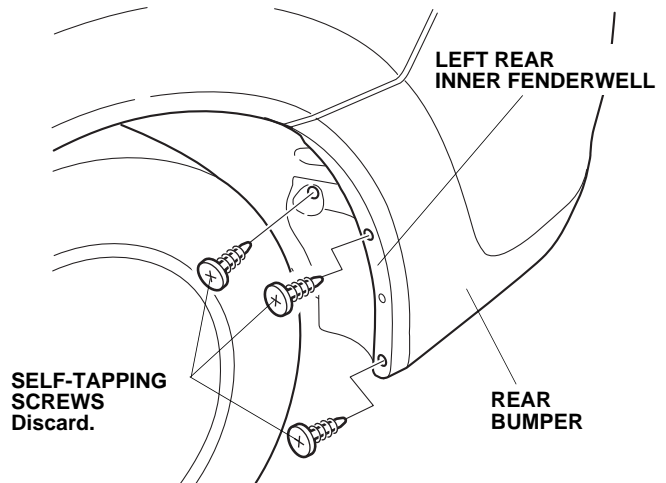
- Secure the left front splash guard with three self-tapping screws, in the order shown below. If there is a gap between the left front splash guard and the vehicle, loosen the three self-tapping screws, and retighten them while pushing in on the splash guard.



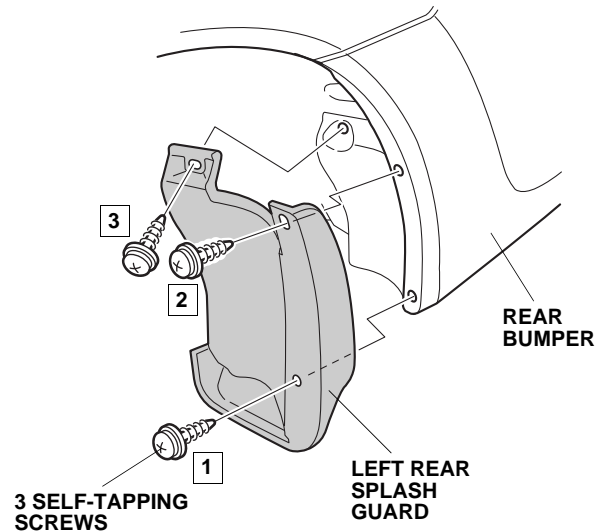
- Repeat steps 3 thru 5 to install the right front splash guard.

## Installing the Rear Splash Guards

- Remove the three self-tapping screws from the left rear inner fenderwell.



- Secure the left rear splash guard with three new self-tapping screws, in the order shown below. If there is a gap between the left rear splash guard and the vehicle, loosen the three self-tapping screws and retighten them while pushing in on the splash guard.



- Repeat steps 7 and 8 to install the right rear splash guard.