



# INSTALLATION INSTRUCTIONS

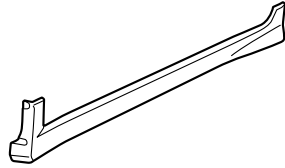
Accessory  
**SIDE UNDER SPOILERS**

Application  
**2011 TSX**

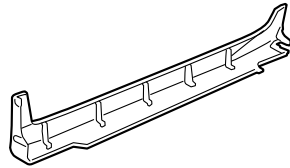
Publications No.  
**BII 44994**  
Issue Date  
**FEB 2011**

## PARTS LIST

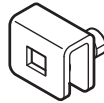
Left side under spoiler



Right side under spoiler



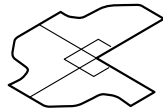
2 Clamps



4 5 x 18 mm Self-tapping screws



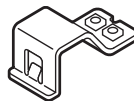
Template



2 Side lower brackets



2 Bottom brackets



4 Screws



## TOOLS AND SUPPLIES REQUIRED

Phillips screwdriver

Isopropyl alcohol

Shop towel

Masking tape

Utility knife

Gloves

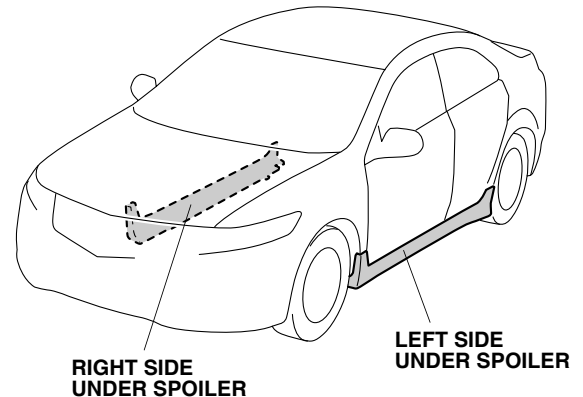
8 mm Combination wrench

Touch-up paint

Tape measure

Felt-tip pen

***Illustration of the Side Under Spoiler Installed on the Vehicle***



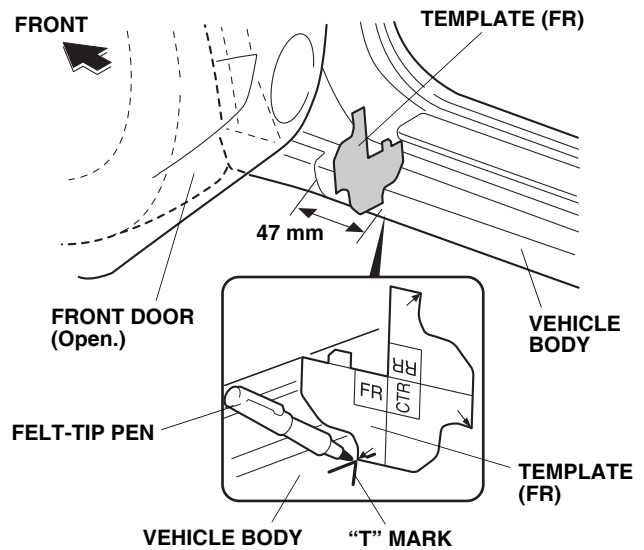
## INSTALLATION

**Client Information:** The information in this installation instruction is intended for use only by skilled technicians who have the proper tools, equipment, and training to correctly and safely add equipment to your vehicle. These procedures should not be attempted by “do-it-yourselfers.”

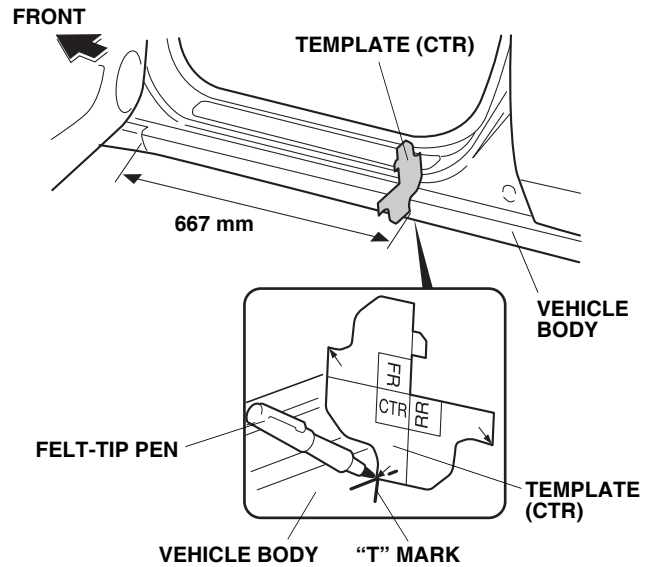
### NOTE:

- Thoroughly clean the bottom of the body from the rear of the front wheels to the front of the rear wheels.
- Be extremely careful not to damage the body paint finish.
- These installation instructions show the left side under spoiler being installed. The same procedure applies to installing the right side under spoiler.
- This side under spoiler kit should be installed only if the ambient air temperature is 15°C (60°F) or above.
- To allow the adhesive to cure, do not wash the vehicle for 24 hours.

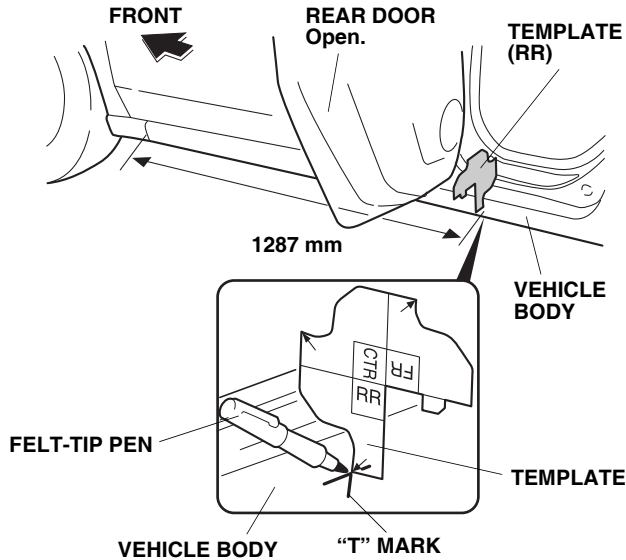
1. Open the driver's door. Position the template (marked FR) on the vehicle body. Using a felt-tip pen, mark the vehicle body at the measurement shown.



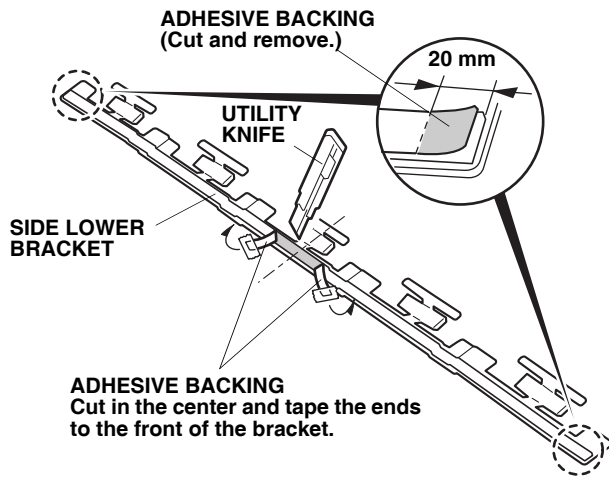
2. Position the template (marked CTR) on the vehicle body. Using a felt-tip pen, mark the vehicle body at the measurement shown.



- Open the left rear door. Position the template (marked RR) on the vehicle body. Using a felt-tip pen, mark the vehicle body at the measurement shown.

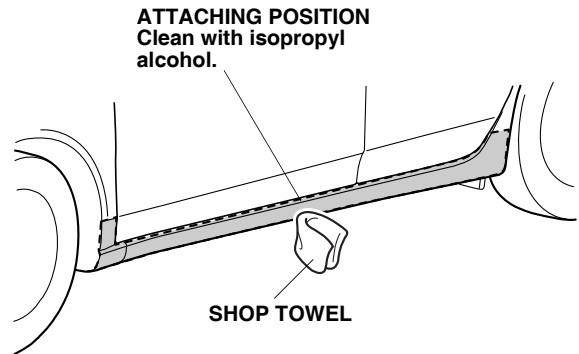


- Using a utility knife, cut and remove 20 mm of adhesive backing from each end of the side lower bracket.

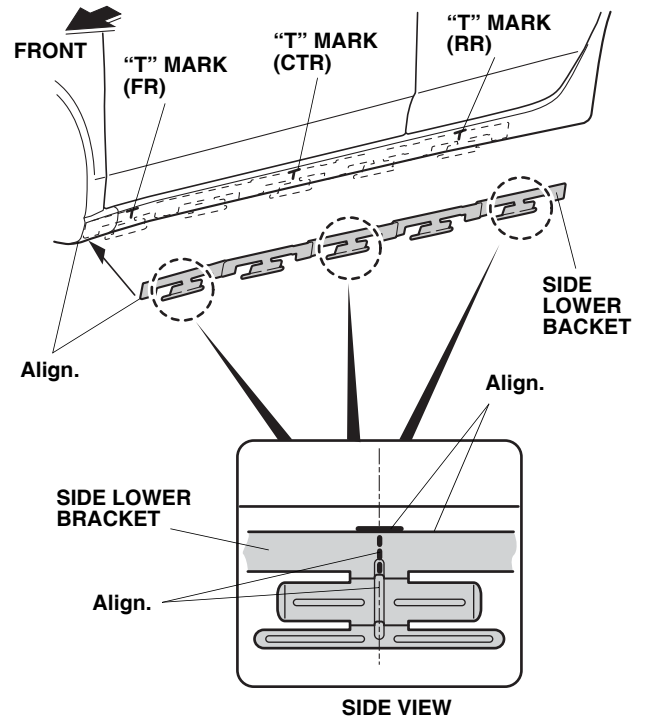


- Using a utility knife, cut the adhesive backing in the center of the side lower bracket. Attach a piece of masking tape to each of the cut ends, and tape them to the front of the side lower bracket.

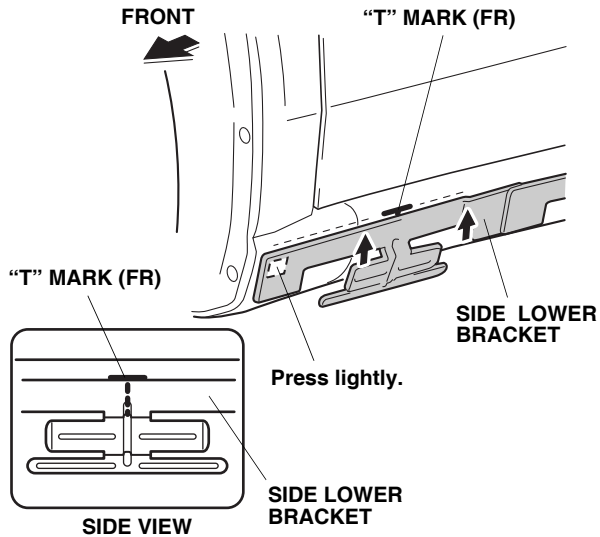
- Using isopropyl alcohol on a shop towel, clean the area where the side under spoiler will attach.



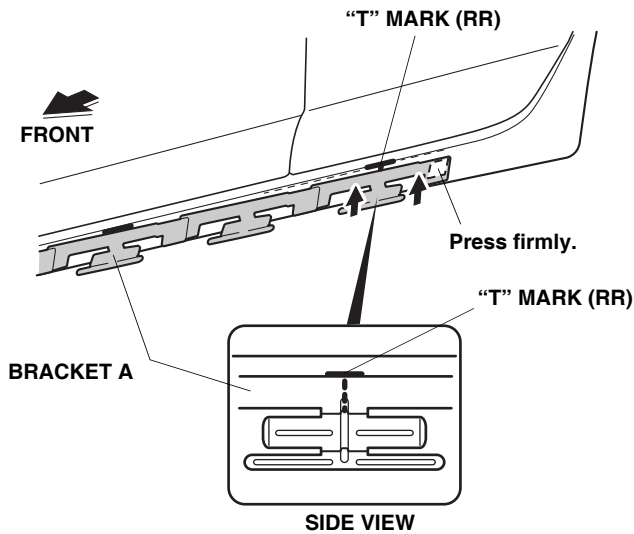
- While wearing gloves, align the lug on the side lower bracket with the center of each "T" mark.



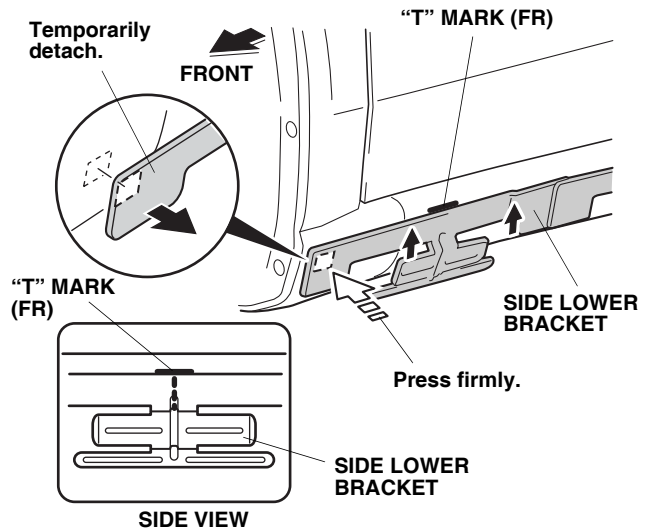
8. Raise the front of the side lower bracket to contact the top of the "T" mark (FR). Press on the front of the bracket (where you removed the adhesive backing) lightly to adhere.



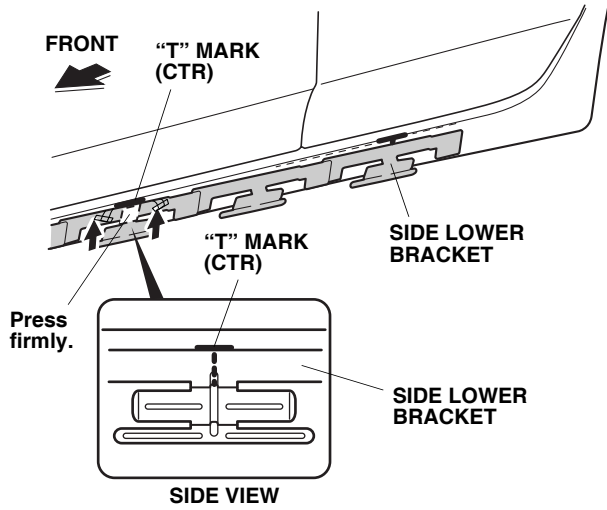
9. Raise the rear of the side lower bracket to contact the top of the "T" mark (RR). Press on the rear of the bracket (where you removed the adhesive backing) firmly to adhere.



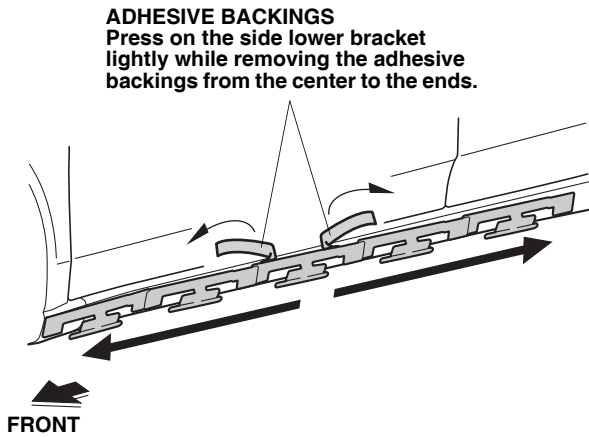
10. Detach the front end of the side lower bracket where you lightly pressed in step 8. Keep holding the end of the bracket. Reposition the top of the bracket to the top of the "T" mark (FR), and press on the front of the bracket firmly to adhere.



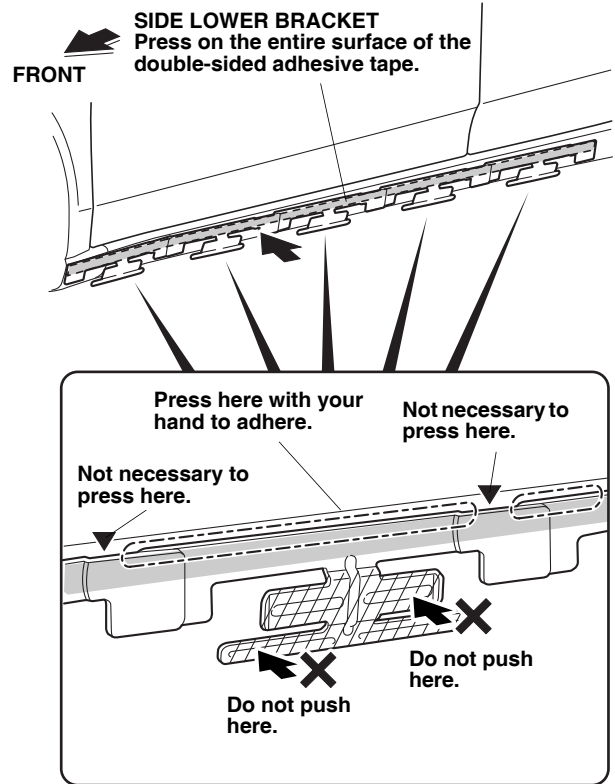
- Position the top of the side lower bracket to contact the top of the "T" mark (CTR), and press on the bracket to firmly adhere.



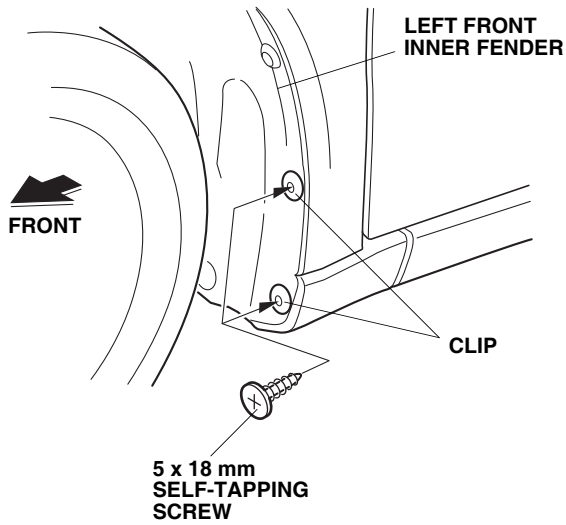
- Check that the side lower bracket is aligned with the marks. Remove the two adhesive backings from the side lower bracket, starting at the center and working outward while lightly pressing on the bracket.



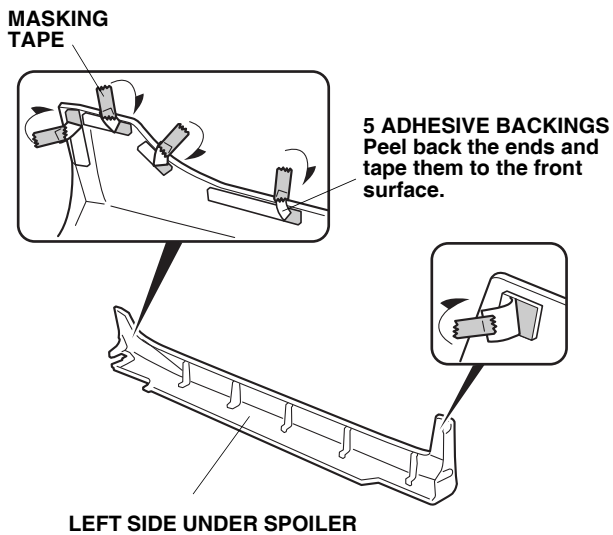
- While wearing gloves, adhere the side lower bracket by firmly pressing on the double-sided tape. Take care not to press on the bracket mounting plates as it can deform the plates. The side under spoiler cannot be installed securely if the mounting plates are bent.



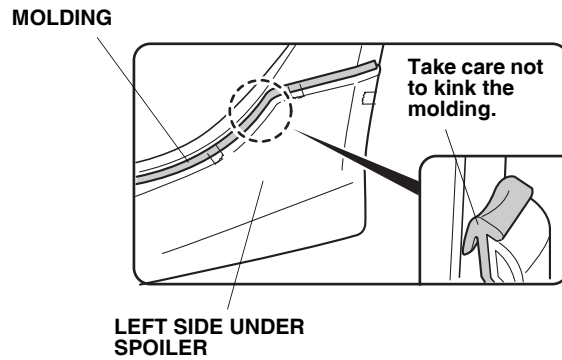
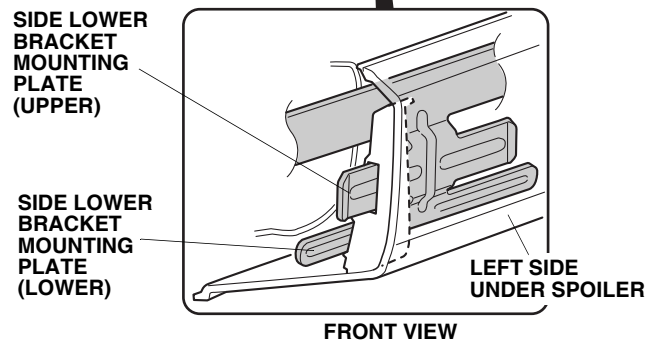
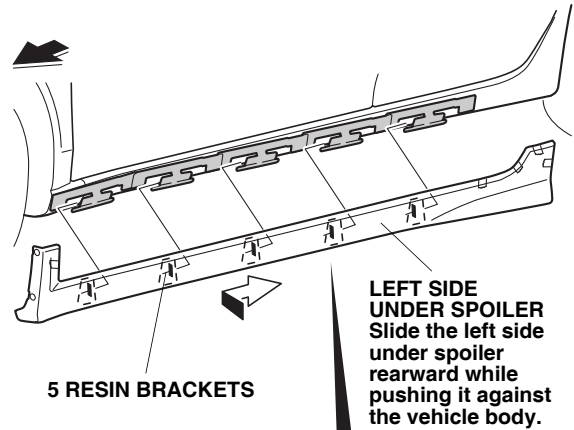
14. Turn the steering wheel all the way counterclockwise. Using a 5 x 18 mm self-tapping screw, make holes through the clips in the left front inner fender.



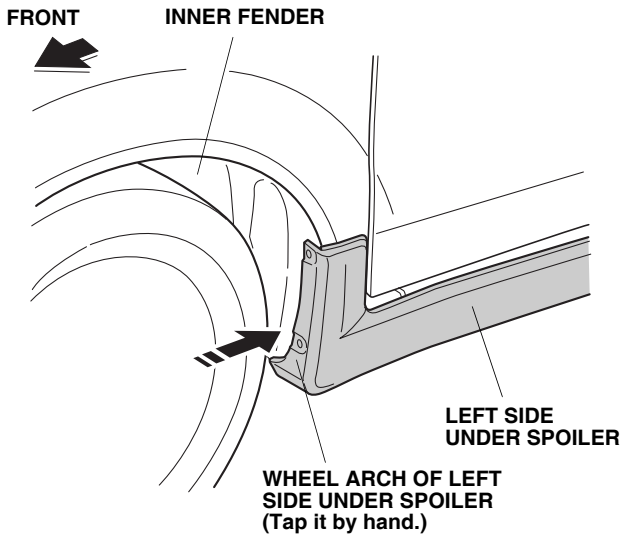
15. Peel back the five ends of the adhesive backings on the left side under spoiler and tape them to the front surface of the under spoiler.



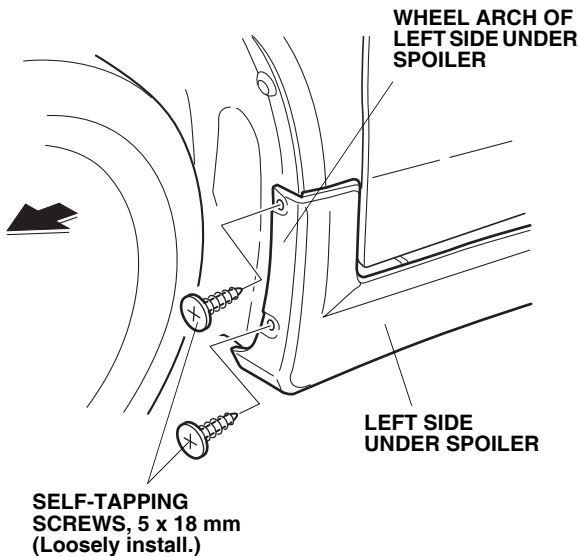
16. Slide the left side under spoiler rearward slightly while pushing it against the vehicle body with both hands.
- Check the position of the side lower bracket mounting plates (upper/lower) to the under spoiler's resin brackets. Install the left side under spoiler securely.
  - Make sure the molding is not folded in the area shown.



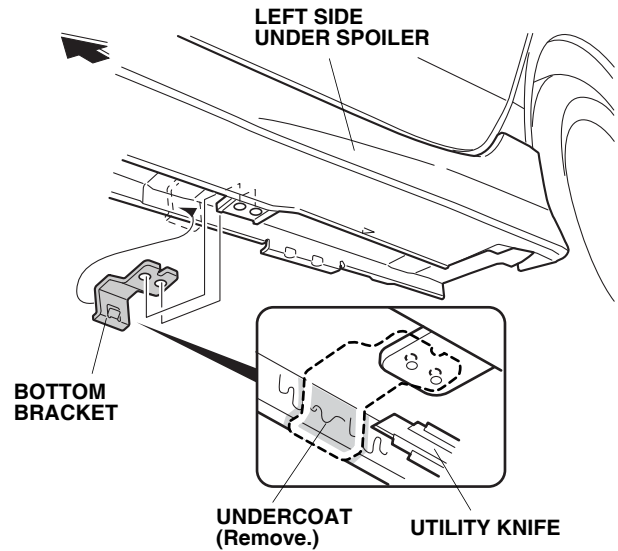
- Pull the left side under spoiler lightly toward you and check that all five resin brackets fit on the side lower bracket mounting plates securely. If the side under spoiler is loose, repeat the installation procedure.



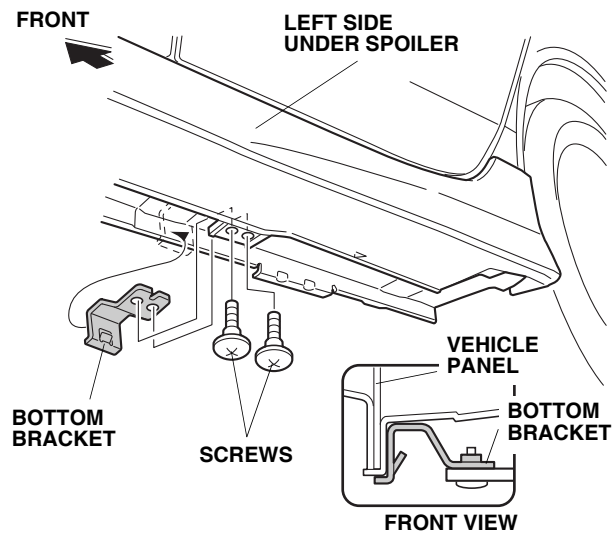
- Gently tap on the left side under spoiler with your hand to remove any gap between the wheel arch of the left side under spoiler and inner fender.
- Loosely install the two 5 x 18 mm self-tapping screws into the two holes at the wheel arch of the left side under spoiler.



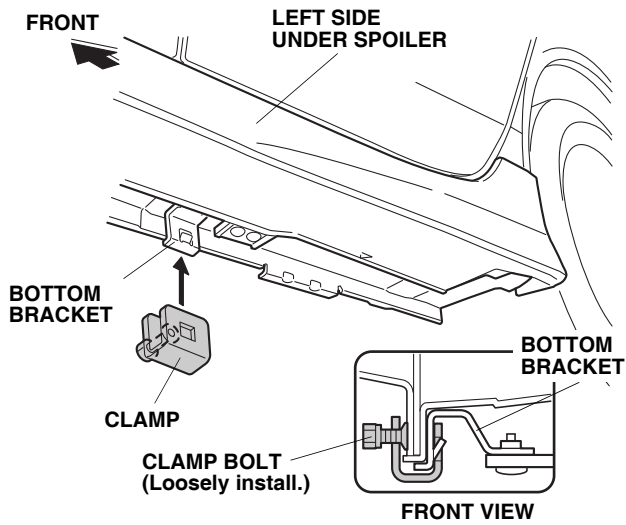
- Using a utility knife, remove the undercoat from the part of the vehicle panel where the bottom bracket will be installed. Apply touch-up paint where you removed the undercoat. Let the touch-up paint dry thoroughly.



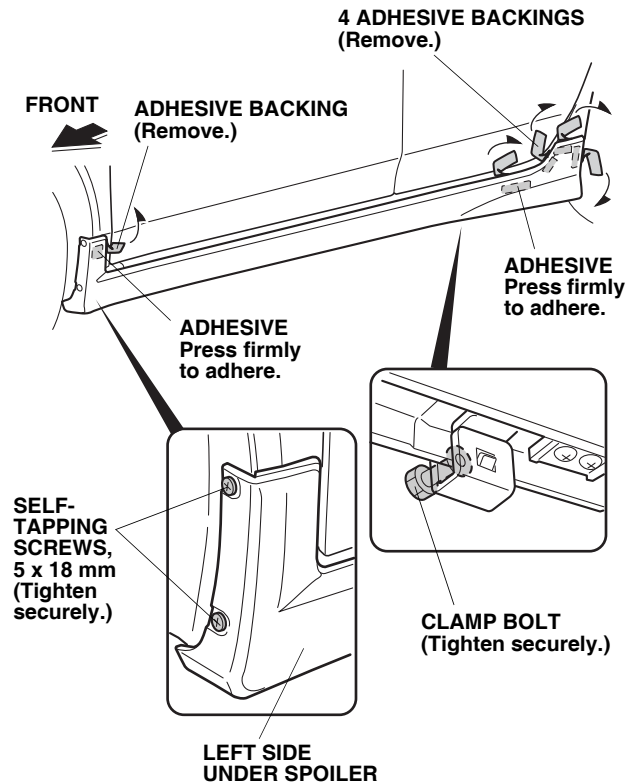
- Install the bottom bracket in the position shown using two screws.



22. Position the clamp on the bottom bracket and loosely install the clamp bolt.



23. Remove the adhesive backings from the left side under spoiler. Press firmly on the adhesive part of the left side under spoiler.
- Press on the entire surface of the adhesive firmly to secure the left side under spoiler.
  - Take care not to press on the left side under spoiler excessively, as it can deform the fender.



24. Tighten the two 5 x 18 mm self-tapping screws.
25. Tighten the clamp bolt securely.
26. Repeat steps 1 thru 25 to install the right side under spoiler on the right side of the vehicle.