



# INSTALLATION INSTRUCTIONS

Accessory

REAR BUMPER APPLIQUE  
P/N 08P48-TL2-200A

Application

2011 TSX

Publications No.

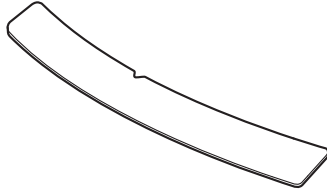
BII 44988

Issue Date

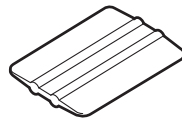
NOV 2010

## PARTS LIST

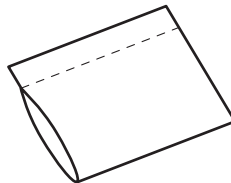
Rear bumper applique



Applicator



Soft sleeve



## TOOLS AND SUPPLIES REQUIRED

Isopropyl alcohol

Shop towel

Lint-free shop towel

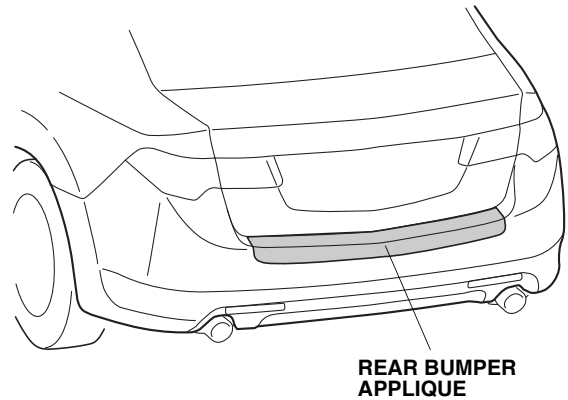
Masking tape

Felt-tip pen

Spray bottle

Protective tape application solution (P/N 08712-0008)

## Illustration of the Rear Bumper Applique Installed on the Vehicle

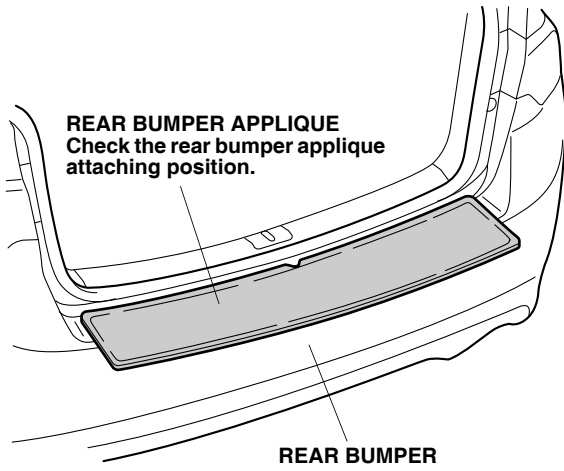


## INSTALLATION

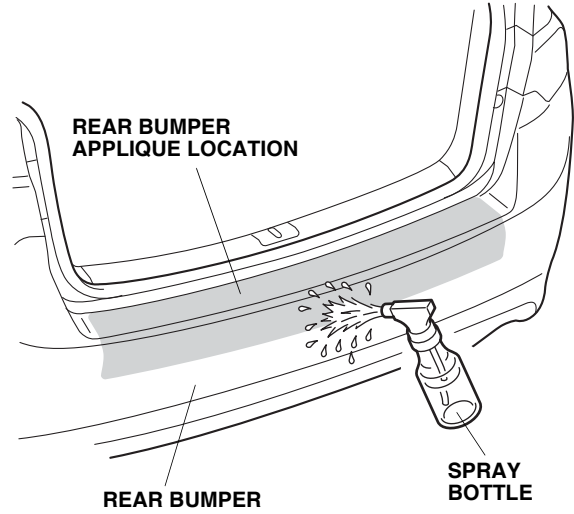
### NOTE:

- Be careful not to damage the rear bumper and other finished surfaces of the body.
- This rear bumper applique should be installed only if the ambient air temperature is 15°C (60°F) or above.
- To allow the adhesive to cure, do not wash the vehicle for 24 hours.

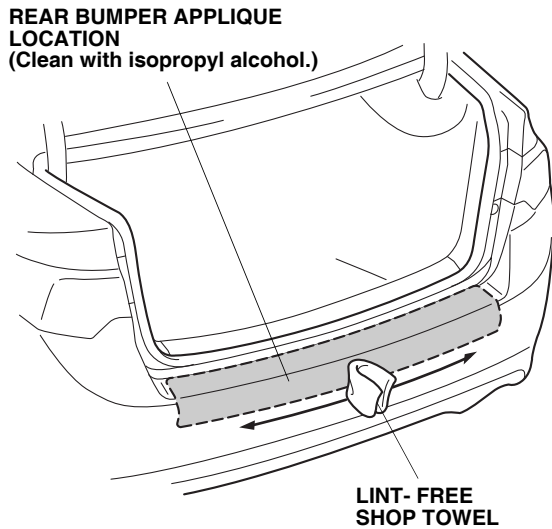
1. Align the rear bumper applique to the rear bumper and check the rear bumper applique attaching position.



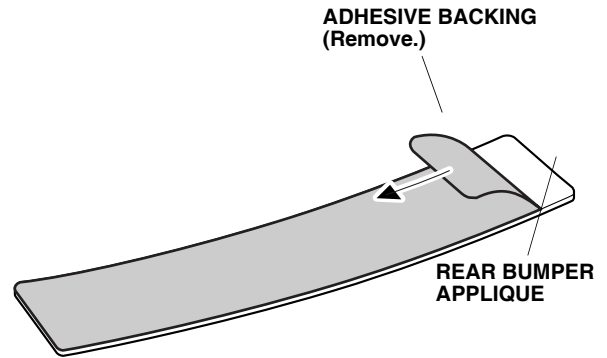
3. Using a spray bottle with protective tape application solution, spray the rear bumper where the rear bumper applique will attach.



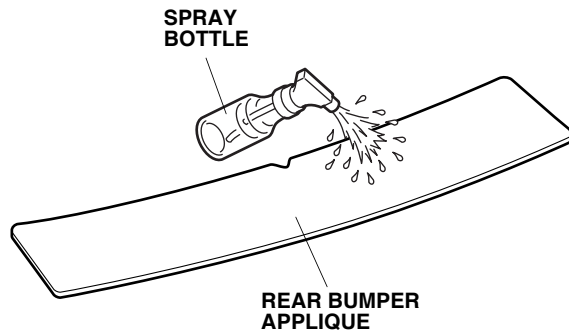
2. Remove the rear bumper applique. Using isopropyl alcohol on a lint-free shop towel, clean the rear bumper where the rear bumper applique will attach.



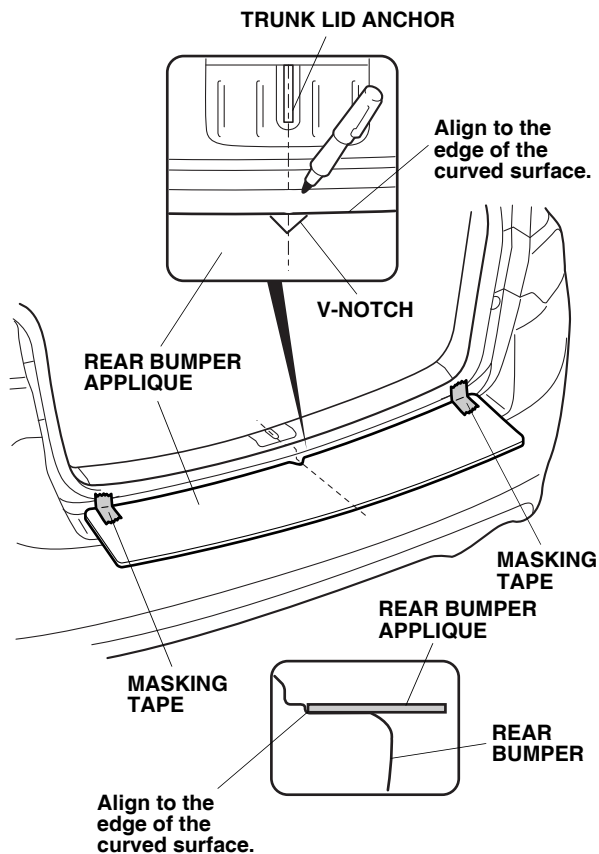
4. Remove the adhesive backing from the rear bumper applique.



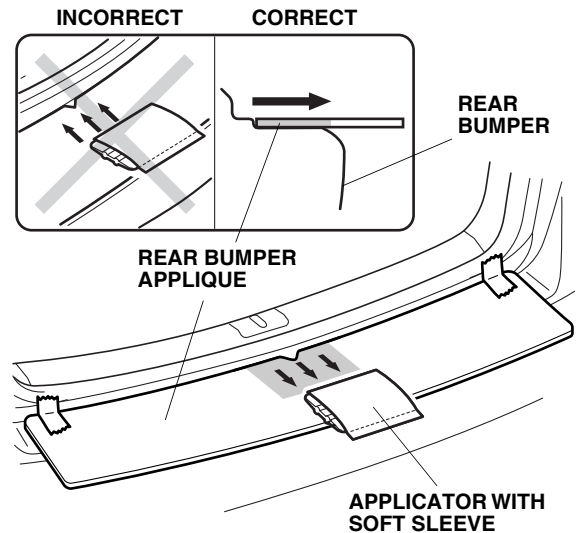
5. Generously apply the protective tape application solution to the adhesive side of the rear bumper applique.



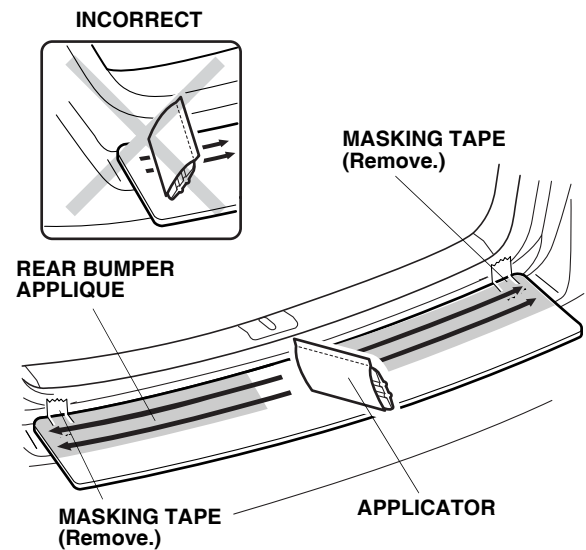
6. Without touching the adhesive side of the rear bumper applique, position it on the rear bumper, and align the v-notch in the rear bumper applique with the center of the trunk lid anchor. Smooth the rear bumper applique along the rear bumper and tape each end at the curved surface.



7. Insert the applicator into the soft sleeve. Use downward strokes to smooth out the top surface at the center of the rear bumper applique. Do not use upward strokes with the applicator.

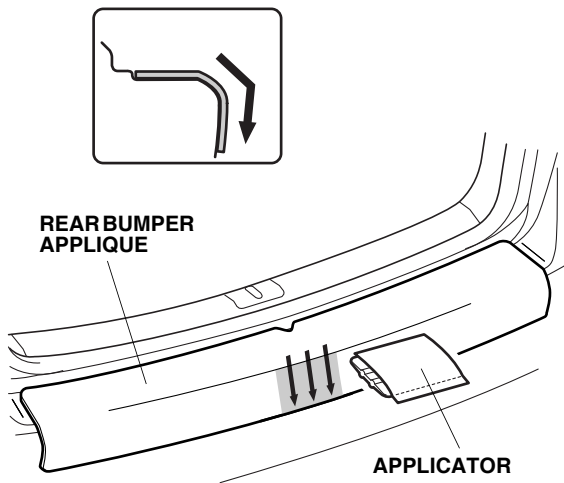


8. Starting from the center and working outward, use the applicator to smooth the rear bumper applique. Repeat on the right side. Stroke outward only.

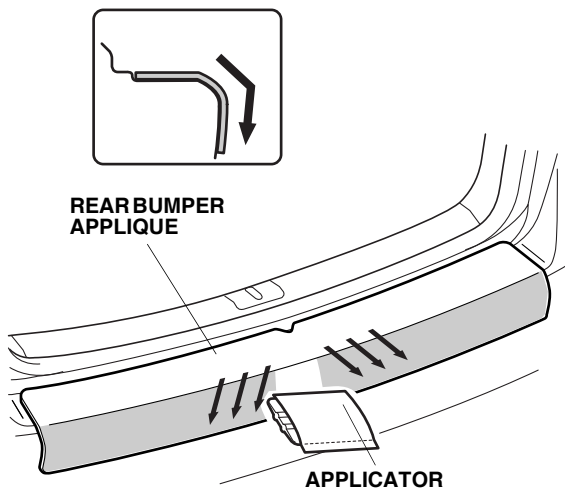


9. Remove the masking tape.

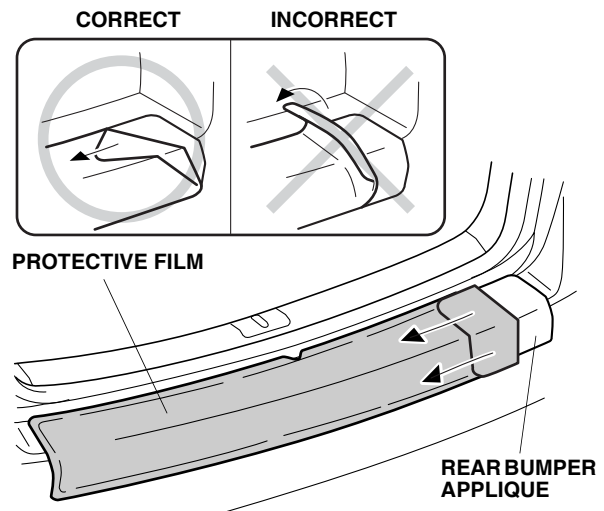
10. Once the surface is completely smooth with no bubbles, use the applicator to apply the rear bumper applique to the rounded rear edge at the center as shown.



11. Use the applicator to apply the rear bumper applique to the rounded rear edge on the left side as shown. Start in the middle and work outward. Repeat for the right side.



12. Remove the protective film from the rear bumper applique. Slowly pull the protective film back. Avoid pulling it upward.



13. Use a shop towel to rub across and down on the rear round edge. Allow the rear bumper applique to dry thoroughly.

