



# INSTALLATION INSTRUCTIONS

Accessory  
**NOSE MASK**  
P/N 08P35-TL2-200A

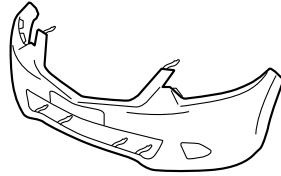
Application  
**2011 TSX**

Publications No.  
**BII 44983**  
Issue Date  
**NOV 2010**

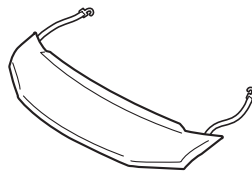
Put this information in the glove box with the vehicle owner's manual.

## PARTS LIST

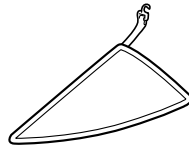
Bumper mask



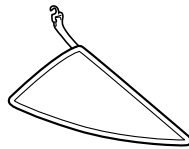
Hood mask



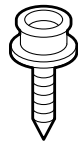
Left fender mask



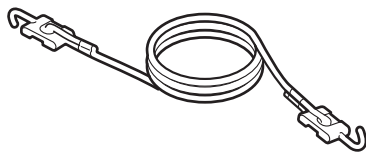
Right fender mask



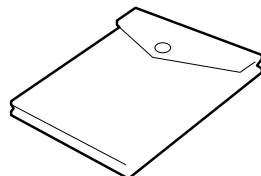
2 Snap-screws



Elastic cord



Storage bag

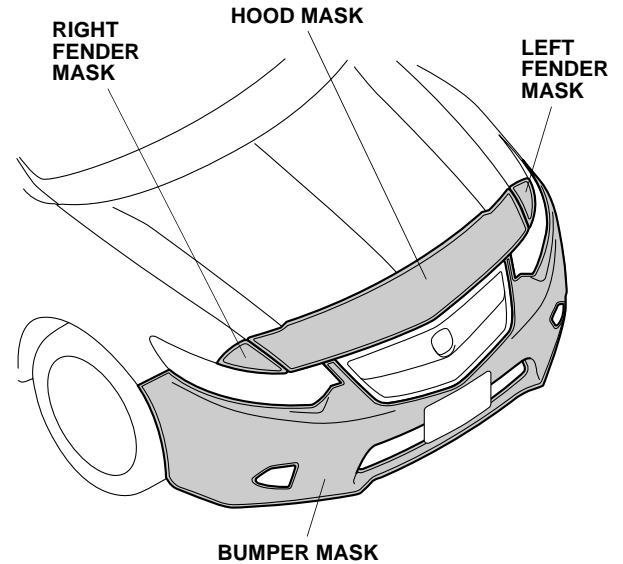


## TOOLS AND SUPPLIES REQUIRED

Utility knife

Stubby Phillips screwdriver

### *Illustration of the Nose Mask Installed on the Vehicle*



## INSTALLATION

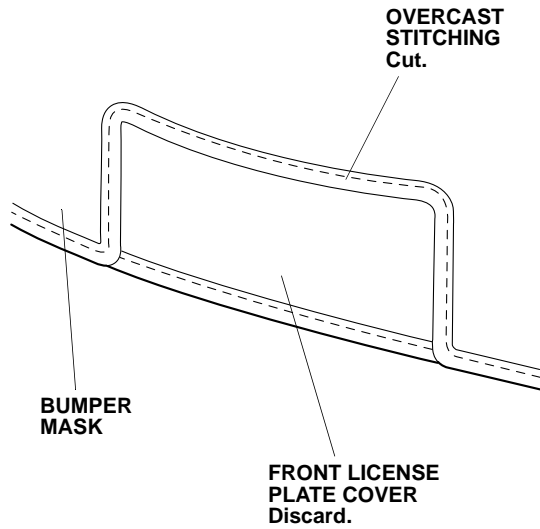
**Client Information:** The information in this installation instruction is intended for use only by skilled technicians who have the proper tools, equipment, and training to correctly and safely add equipment to your vehicle. These procedures should not be attempted by "do-it-yourselfers."

### NOTE:

- Make sure the vehicle and nose mask are clean and completely dry before installation. If moisture under the nose mask is allowed to dry, it may cloud the paint. If the nose mask becomes wet, remove it and allow it to air-dry completely.
- Make sure any repainted surfaces are cured.
- Make sure the nose of the vehicle has been waxed with a high-quality paste wax.
- Install the nose mask securely. If the nose mask starts to flap or comes loose while driving, safely pull to the side of the road, stop the vehicle, and re-secure or remove the nose mask.

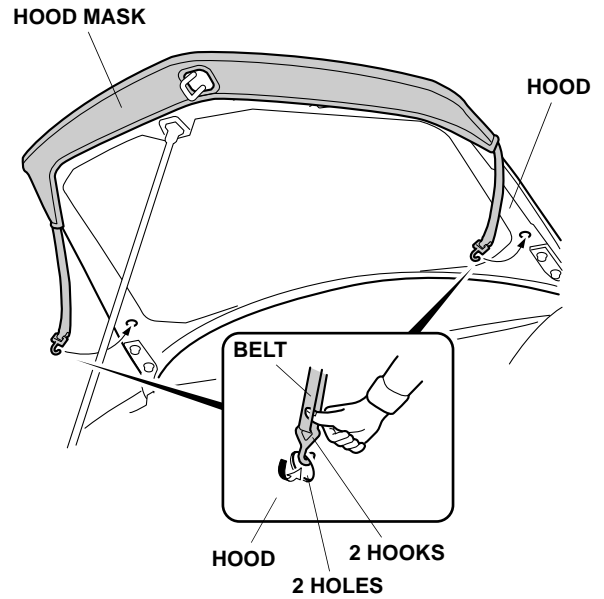
If your state law requires the display of front license plate, cut out the piece of the bumper mask covering the front license plate:

- Face the inside of the bumper mask toward you.
- Carefully cut the overcast stitching with a utility knife. Remove and discard the stitching and the front license plate cover.



## Installing the Hood Mask

1. Open the hood. Fit the corners of the hood mask around the hood, and adjust the hood mask so that it fits smoothly over the edges.

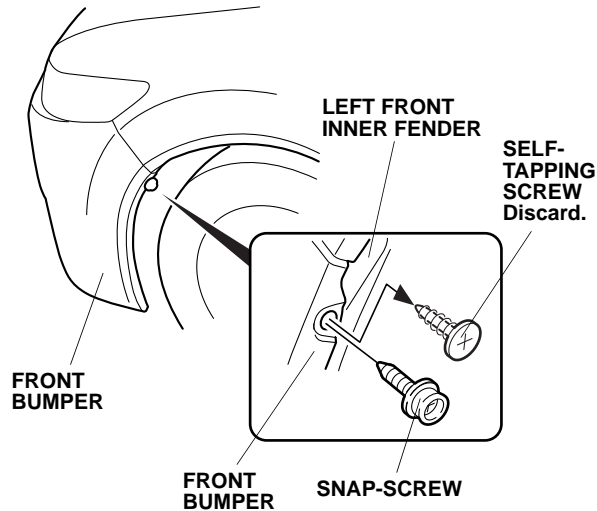


2. Secure the two hooks on the hood mask to the two holes in the hood.

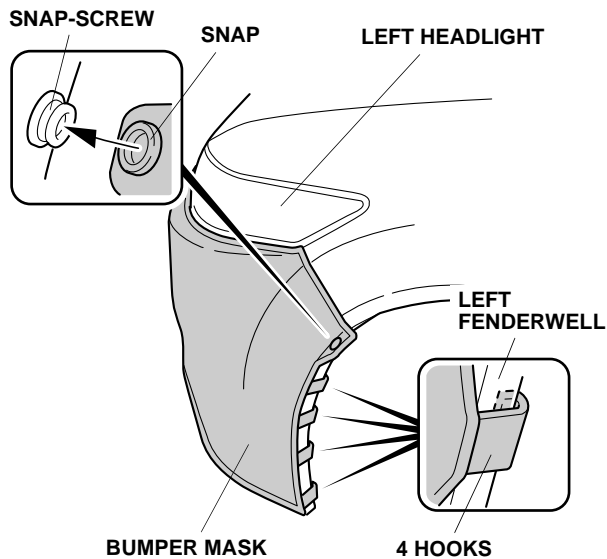
**NOTE:** Remove or install the hooks by inserting your finger or thumb into the belt on each hook.

## Installing the Nose Mask

- Turn the steering wheel fully clockwise.
- Remove and discard one self-tapping screw from the left front inner fender.

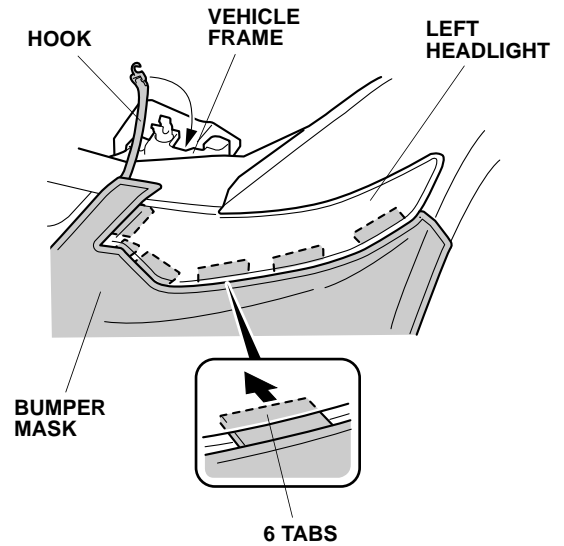


- Install one snap-screw into the left front inner fender.
- Turn the steering wheel fully counterclockwise and repeat steps 4 and 5 on the right side of the vehicle.
- Pull the bumper mask toward the left front inner fender, smooth out any wrinkles, and secure the snap on the bumper mask to the snap-screw.

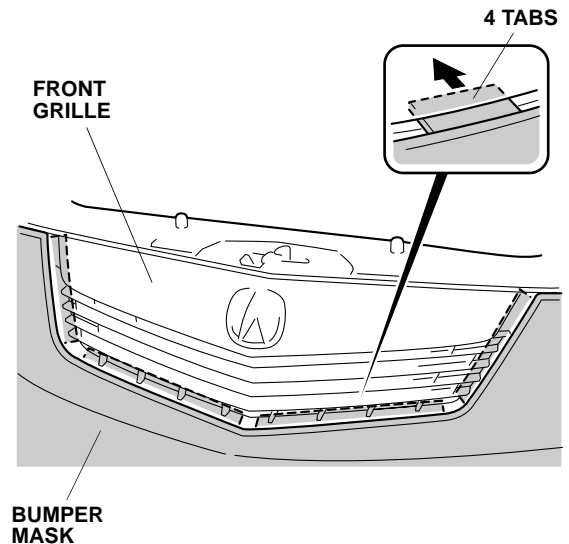


- Secure four hooks on the bumper mask to the left fenderwell.
- Repeat steps 7 and 8 on the right side of the vehicle.

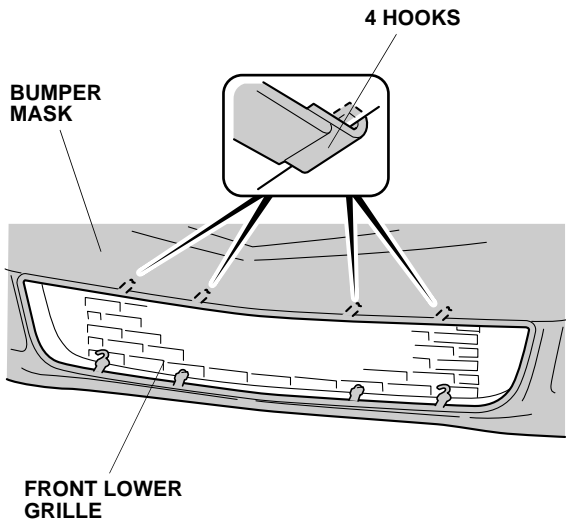
- Insert six tabs on the bumper mask between the front bumper and left headlight.



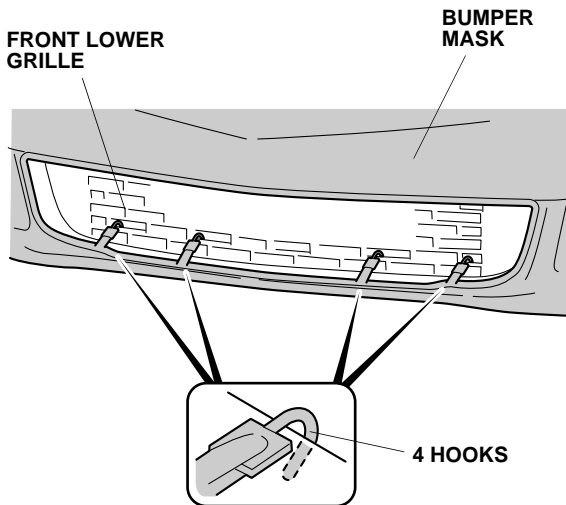
- Secure the hook on the bumper mask to the vehicle frame.
- Repeat steps 10 and 11 on the right side of the vehicle.
- Insert four tabs on the bumper mask between the front bumper and front grille.



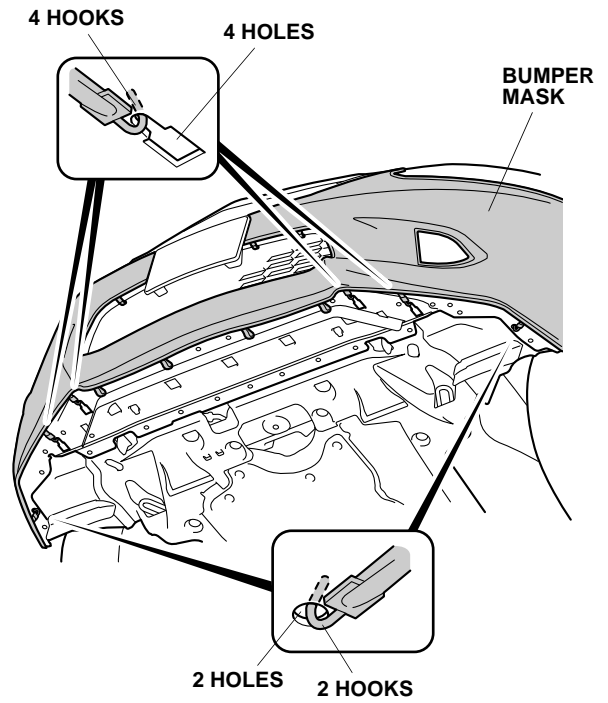
- Secure four hooks on the bumper mask to the front lower grille.



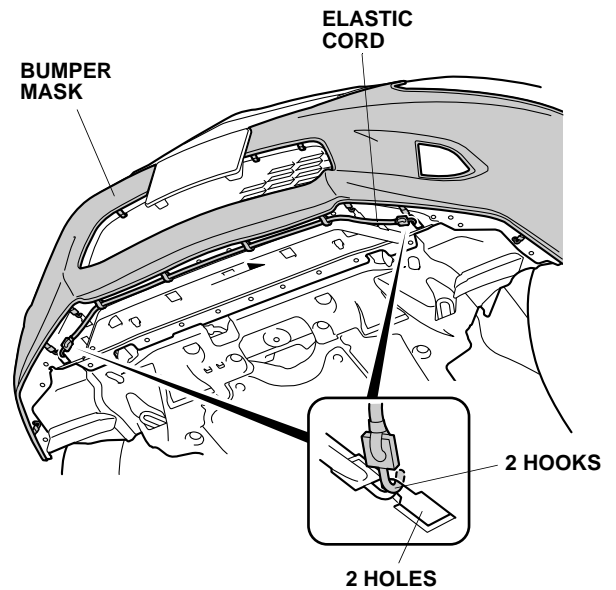
- Secure four hooks on the bumper mask to the front lower grille.



- Secure six hooks on the bumper mask to the six holes in the front bumper.



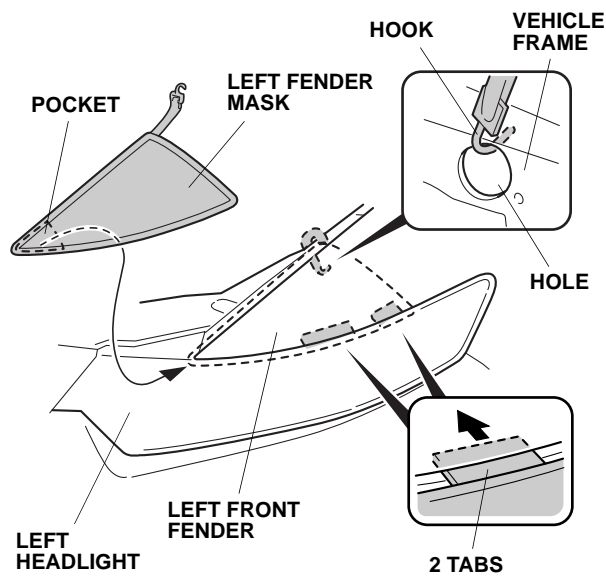
- Secure one hook on the elastic cord to the hole in the front bumper.



- Route the elastic cord through the four loops on the bottom of the bumper mask.
- Secure the hook on the elastic cord to the hole in the front bumper.

## Installing the Fender Masks

- Slip the pocket on the left fender mask onto the corner of the left front fender. Secure the hook to the hole in the vehicle frame. Insert two tabs between the left front fender and the headlight.



- Repeat step 20 to install the right fender mask.

## USE AND CARE

Use a sponge or cloth with a solution of mild liquid dishwashing soap and water to clean the vinyl and the flannel backing. Rinse the nose mask completely with clean water, and hang it to dry in direct sunlight. Make sure the nose mask is completely dry before you reinstall it.

When you are not using the nose mask, keep it in the supplied storage bag.