



# INSTALLATION INSTRUCTIONS

Accessory

INTERIOR TRIM  
P/N 08Z03-TL2-220A

Application

2011 TSX

Publications No.

BII 44984

Issue Date

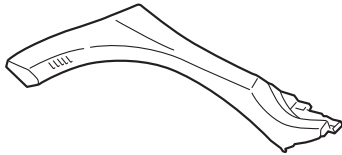
NOV 2010

## PARTS LIST

Driver's dashboard trim



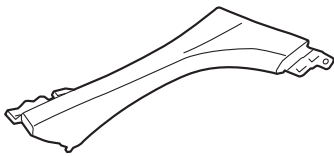
Driver's center console trim



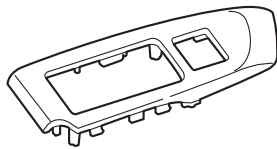
Passenger's dashboard trim



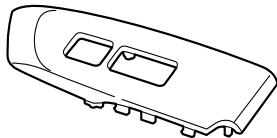
Passenger's center console trim



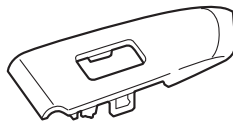
Driver's window switch trim



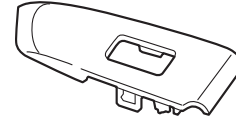
Passenger's window switch trim



Left rear window switch trim



Right rear window switch trim



## TOOLS AND SUPPLIES REQUIRED

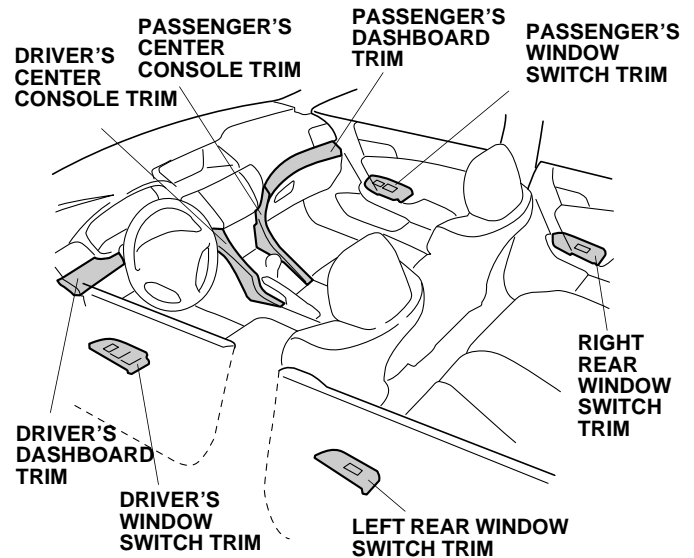
Phillips screwdriver

Masking tape

Plastic Trim Tool (T/N SILTRIMTL10)

10 mm and 17 mm Wrench

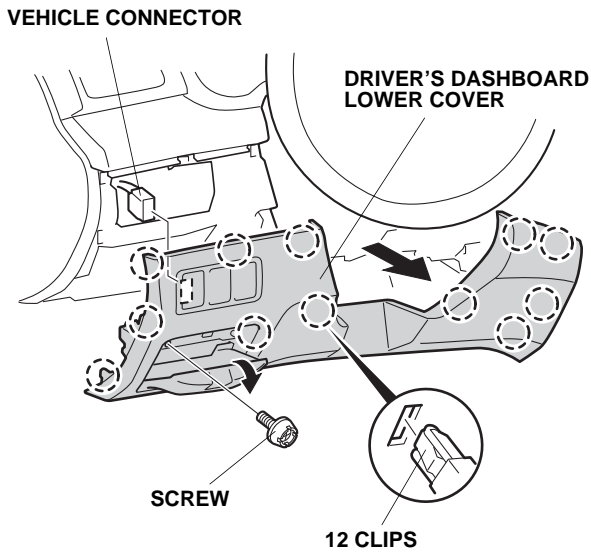
## Illustration of the Interior Trim Installed on the Vehicle



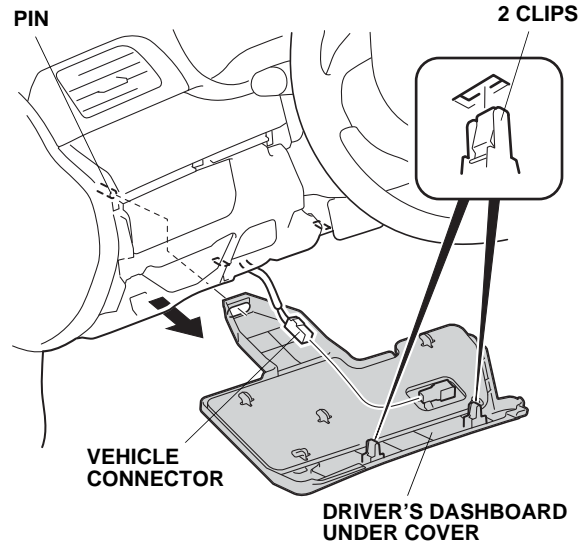
**Client Information:** The information in this installation instruction is intended for use only by skilled technicians who have the proper tools, equipment, and training to correctly and safely add equipment to your vehicle. These procedures should not be attempted by “do-it-yourselfers.”

**NOTE:**

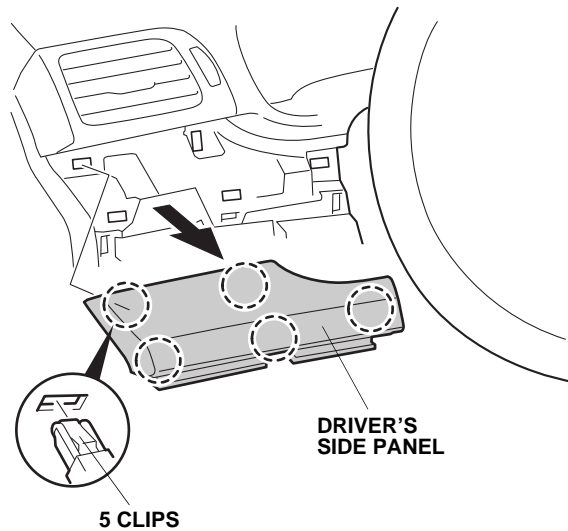
- Write down the client’s radio station presets; radio memory will be erased when you disconnect the battery.
  - Be extremely careful not to damage the body.
1. Make sure you have the anti-theft code for the audio system or the navigation system (if equipped), then write down the radio presets.
  2. Disconnect the negative cable from the battery.
  3. Remove the driver’s dashboard lower cover (one screw, twelve clips, and unplug the vehicle connector).



4. Remove the driver’s dashboard under cover (two clips, one pin, and unplug the vehicle connector).



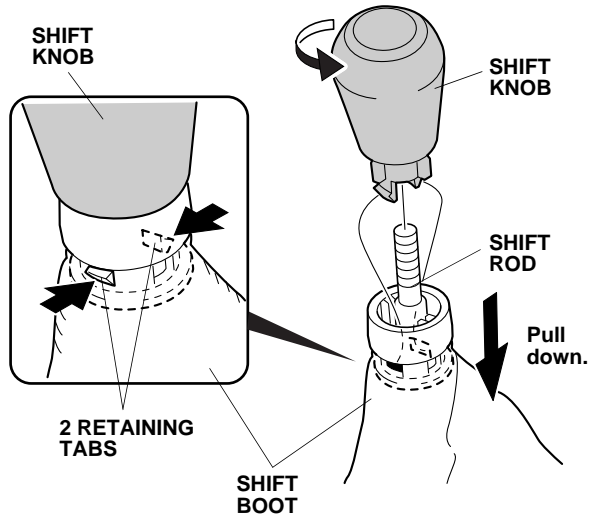
5. Remove the driver’s side panel (five clips).



6. Remove the shift knob:

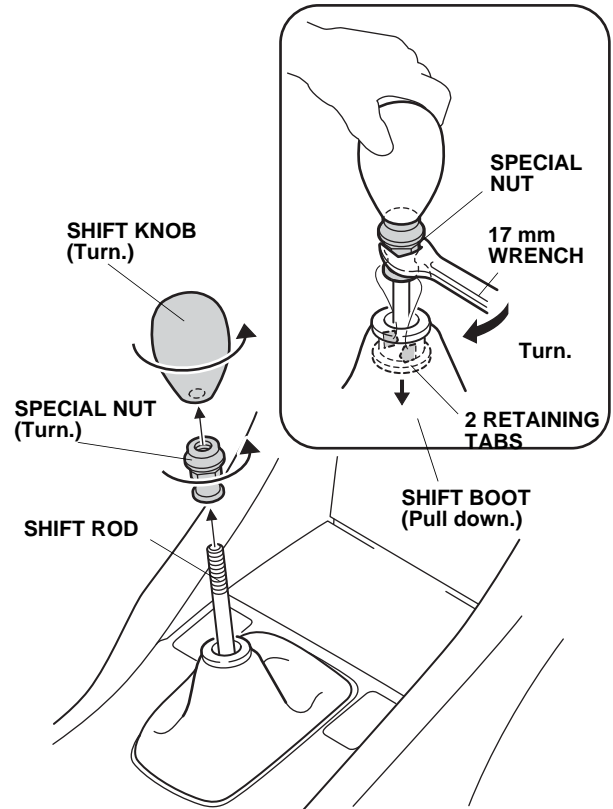
### M/T Model

- Pull down the shift boot (two retaining tabs).
- Turn the shift knob counterclockwise and remove it from the shift rod.

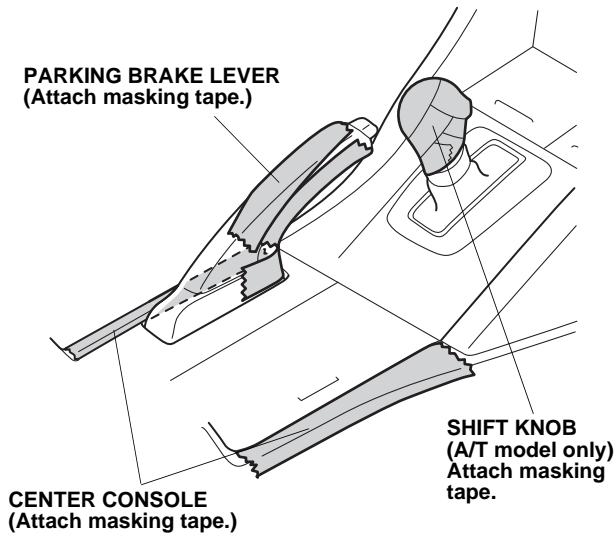


### M/T Model with Aluminium Shift Knob

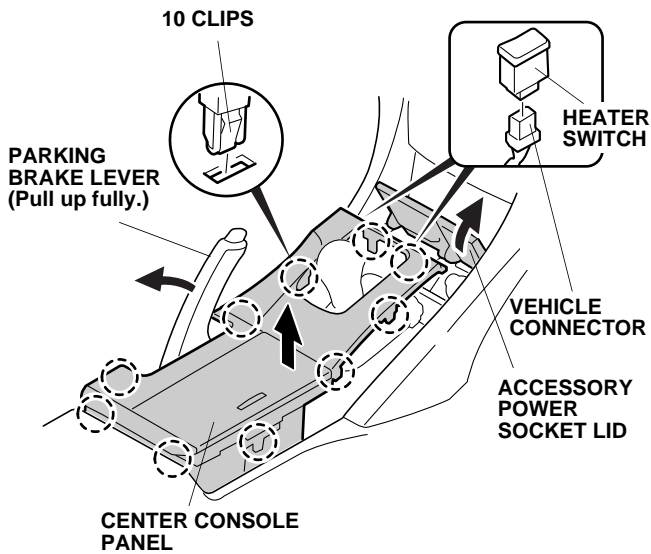
- Pull down the shift boot (two retaining tabs).
- Using a 17 mm wrench, turn the special nut clockwise and loosen it while holding the shift knob with your hand.
- Turn the shift knob and special nut counterclockwise and remove them from the shift rod.



- Attach masking tape to the center console, and wrap masking tape around the parking brake lever. On A/T model, wrap masking tape around the shift knob.

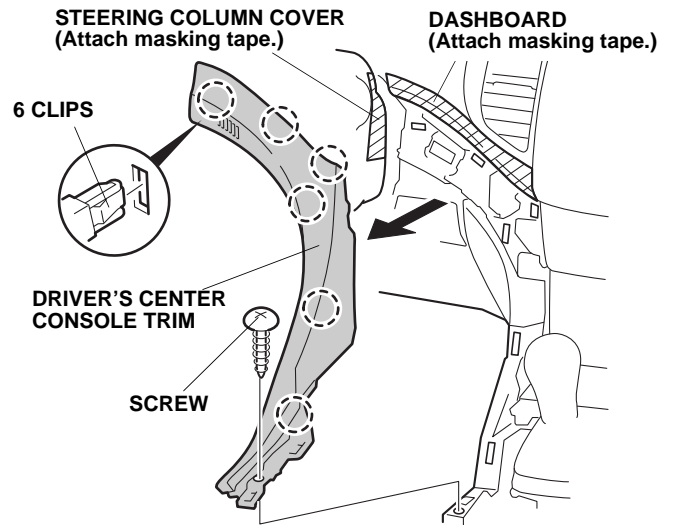


- Open the accessory power socket lid.



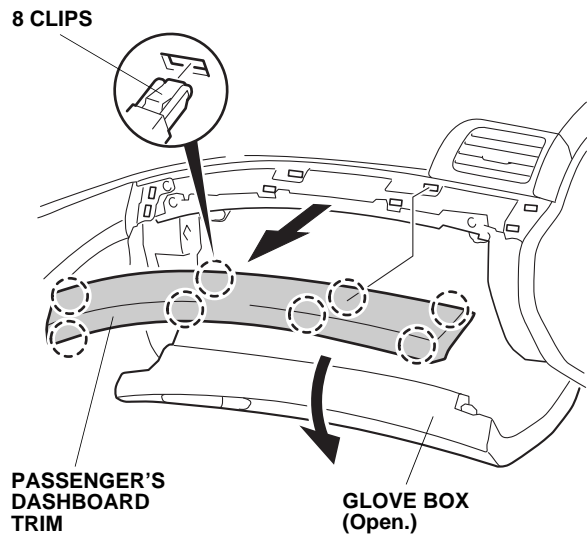
- Pull the parking brake lever up fully, and remove the center console panel (ten clips and disconnect the two vehicle connectors).

- Attach masking tape to the dashboard and steering column cover.

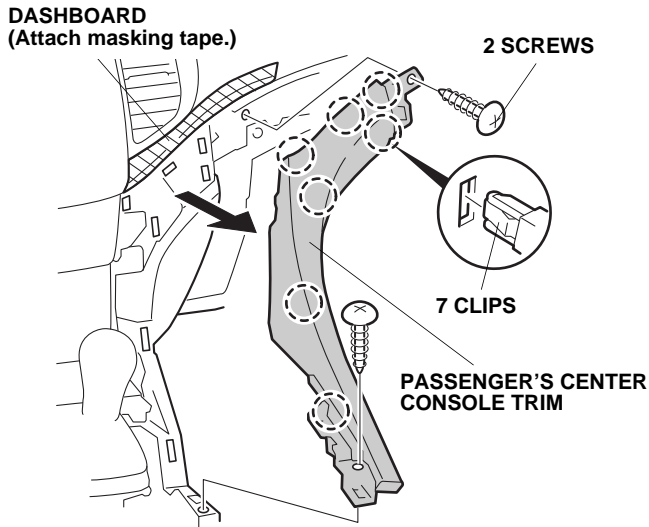


- Remove the driver's center console trim (one screw and six clips).

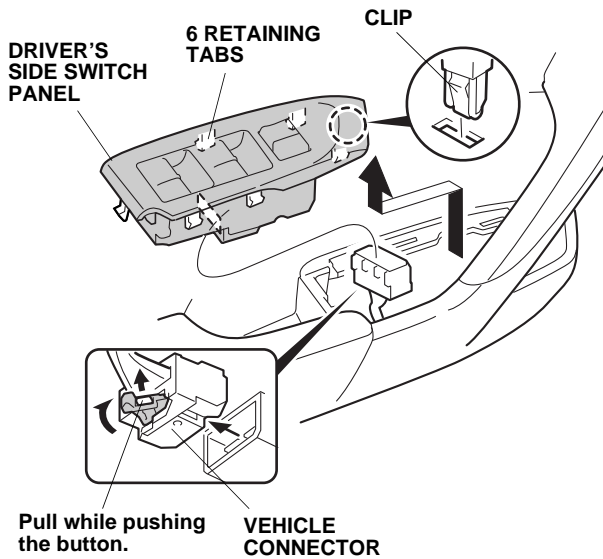
- Open the glove box, and remove the passenger's dashboard trim (eight clips).



- Attach masking tape to the dashboard in the area shown.

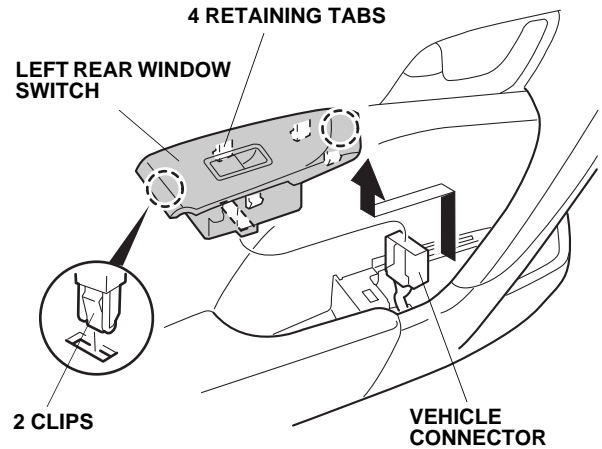


- Remove the passenger's center console trim (two screws and seven clips).
- Using a plastic trim tool, pry up and remove the driver's side window switch panel (six retaining tabs, one clip, and unplug the connector).

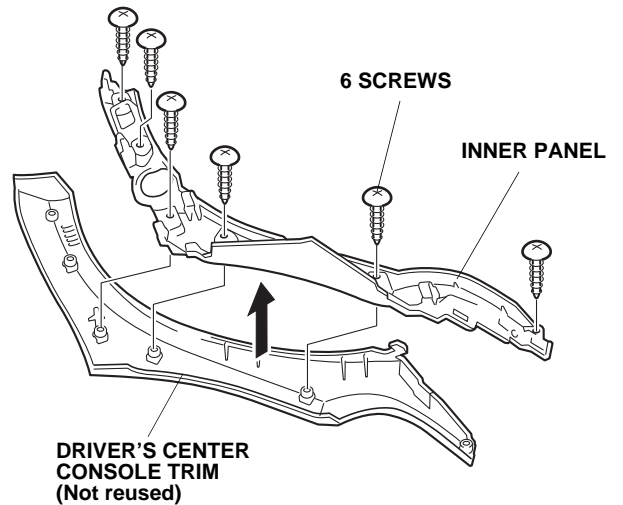


- Remove the passenger's window switch (6 retaining clips, one clip, and unplug the vehicle connector).

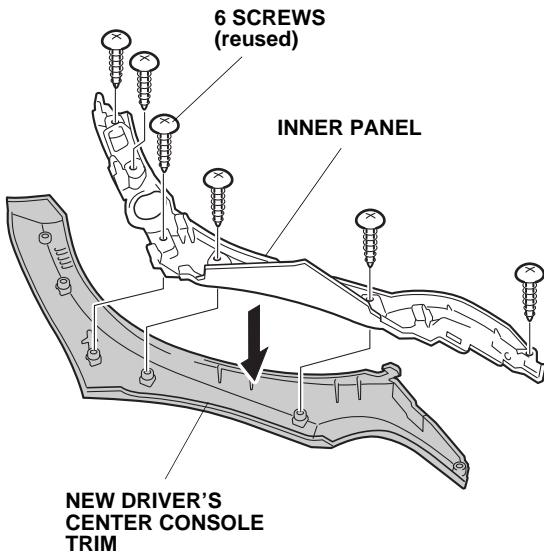
- Using a plastic trim tool, pry up and remove the left rear window switch (four retaining tabs, two clips, and unplug the vehicle connector).



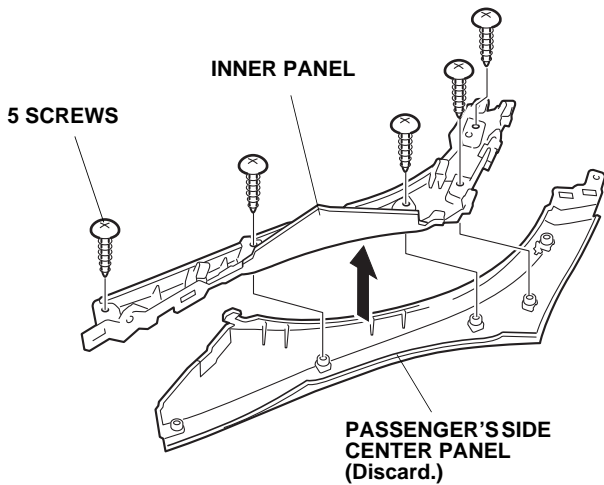
- Remove the right rear window switch (four retaining tabs, two clips, and unplug the vehicle connector).
- Remove the inner panel from the driver's center console trim (six screws).



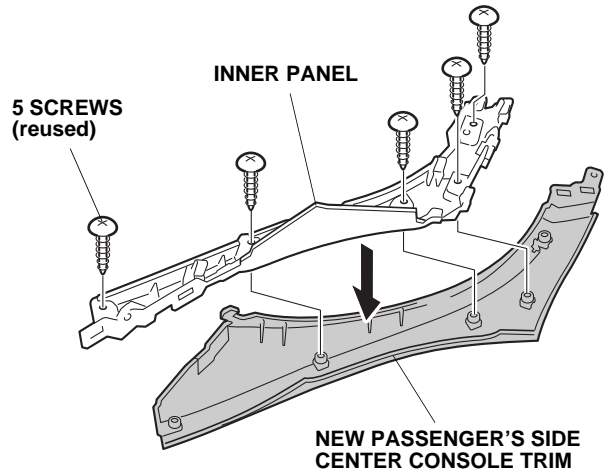
20. Transfer the inner panel to the new driver's center console trim.



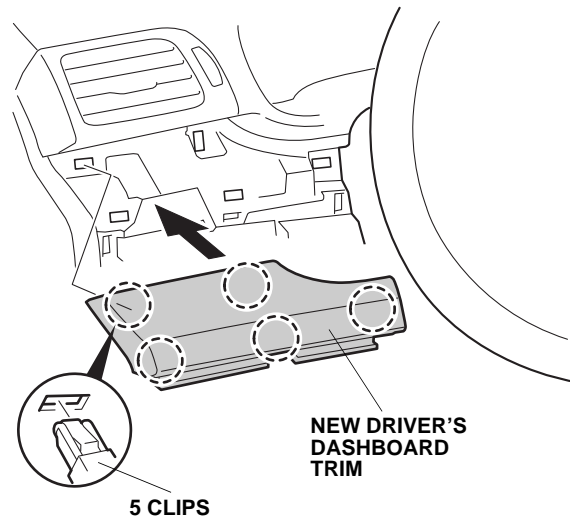
21. Remove the inner panel from the passenger's center console trim (five screws).



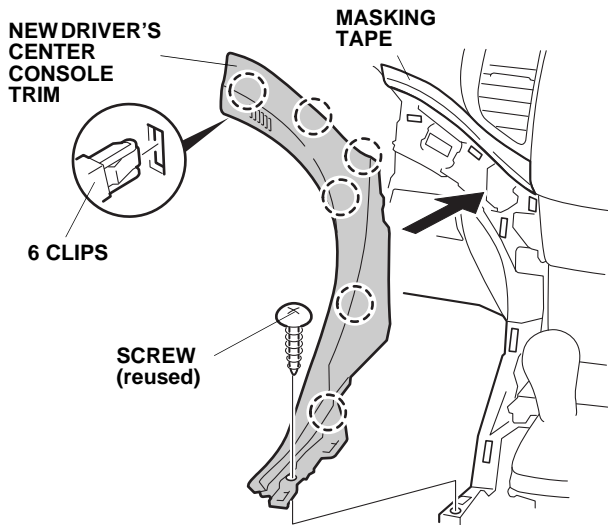
22. Transfer the inner panel to the new passenger's center console trim.



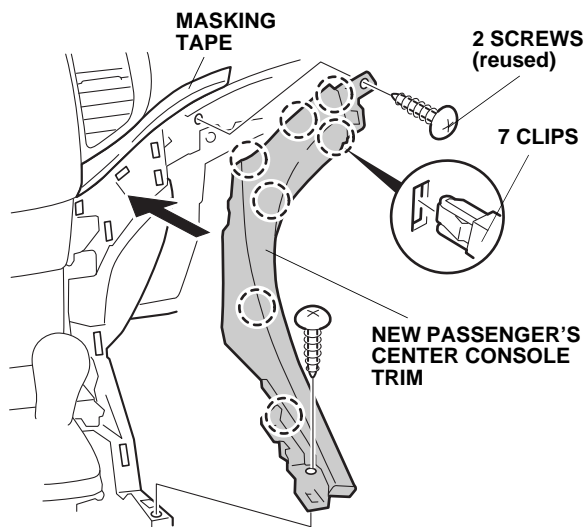
23. Install the new driver's dashboard trim.



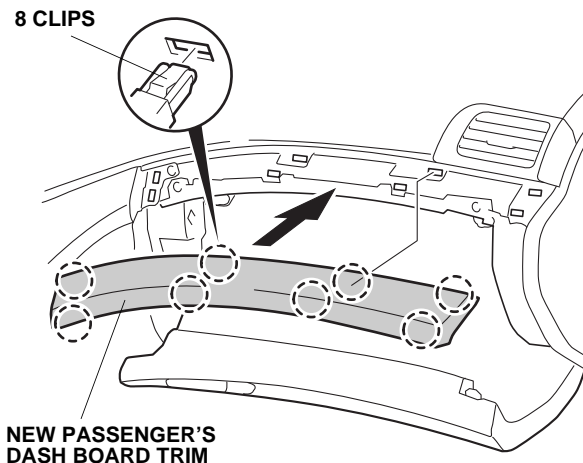
24. Reinstall the driver's dashboard under cover and driver's dashboard lower cover.
25. Install the new driver's center console trim.



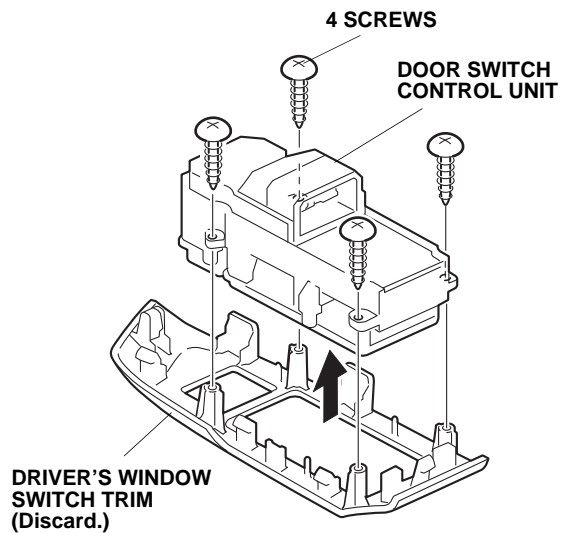
26. Remove the masking tape.
27. Install the new passenger's center console trim.



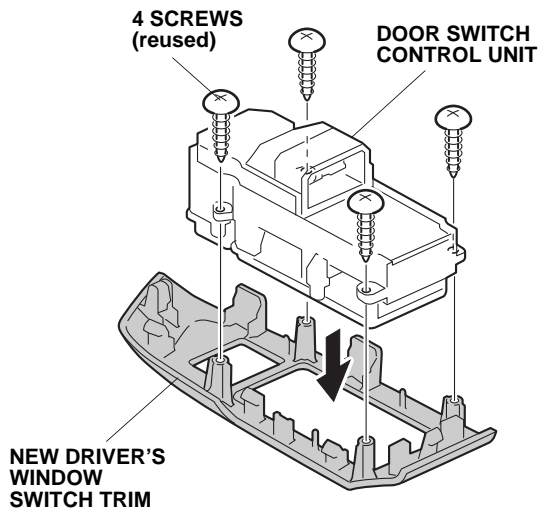
28. Remove the masking tape.
29. Install the new passenger's dashboard trim.



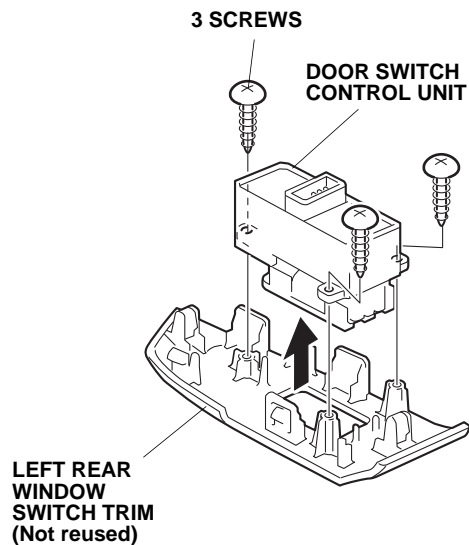
30. Reinstall the center console panel.
31. Remove the door switch control unit from the driver's window switch trim (four screws).



32. Install the door switch control unit to the new driver's window switch trim.

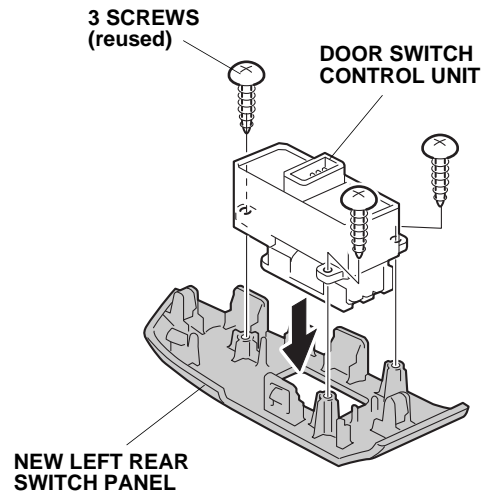


33. Install the driver's window switch trim.
34. Remove the passenger's door switch control unit from the passenger's window switch trim, and install it on the new passenger's window switch trim the same way.



35. Install the passenger's window switch trim.

36. Remove and install the right and left rear door switch control units to the new right and left rear window switch trims the same way.



37. Install the right and left rear window switch trims.
38. Reinstall all removed parts.
39. Reconnect the negative cable to the battery.
40. Enter the client's radio anti-theft code, and reset the radio station presets.
41. Reset the clock.