



# INSTALLATION INSTRUCTIONS

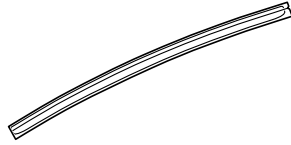
Accessory  
**DOOR EDGE FILM**  
P/N 08P20-TL2-200A

Application  
**2011 TSX**

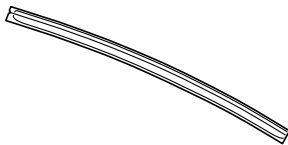
Publications No.  
**BII 45066**  
Issue Date  
**NOV 2010**

## PARTS LIST

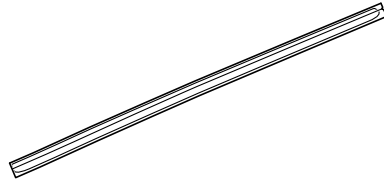
Left front door edge film



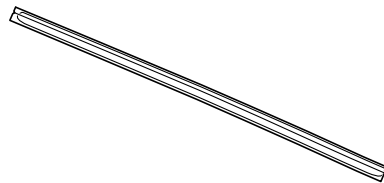
Right front door edge film



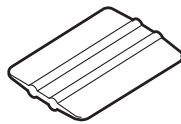
Left rear door edge film



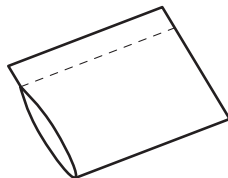
Right rear door edge film



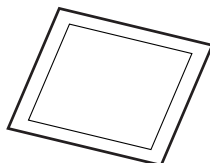
Applicator



Soft sleeve



2 Alcohol swabs



## TOOLS AND SUPPLIES REQUIRED

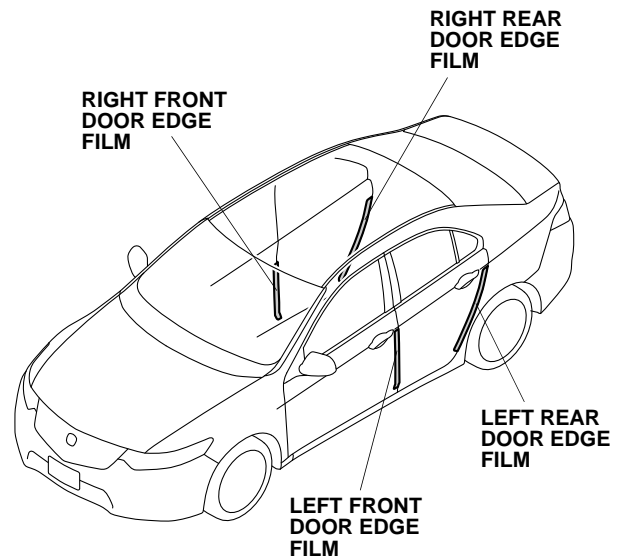
Shop towel

Spray bottle

3M Protective tape application solution  
3M #70202272194

Dryer

### Illustration of the Door Edge Film on the Vehicle



## INSTALLATION

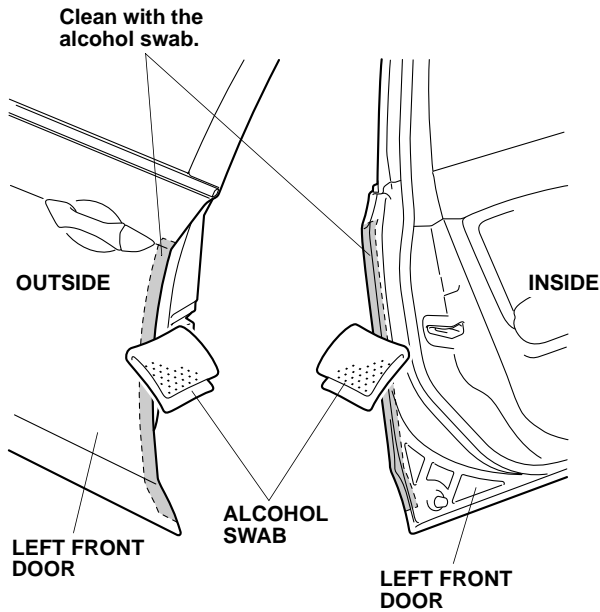
**Client Information:** The information in this installation instruction is intended for use only by skilled technicians who have the proper tools, equipment, and training to correctly and safely add equipment to your vehicle. These procedures should not be attempted by "do-it-yourselfers."

### NOTE:

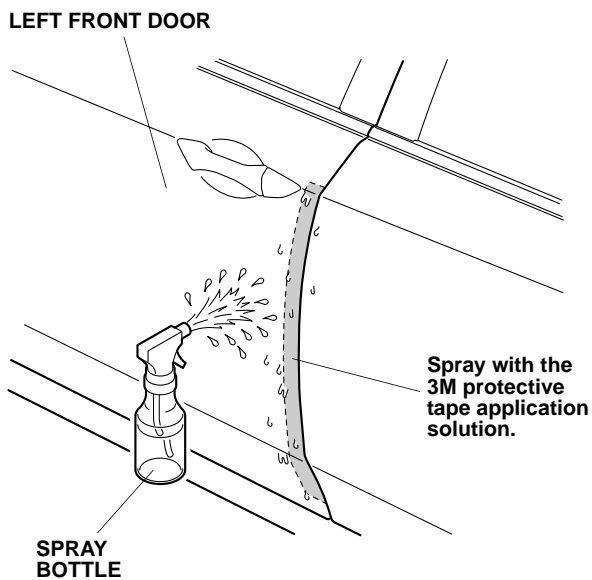
- Do not damage the body paint finish.
- This kit should be installed only if the ambient air temperature is 15°C (60°F) or above.
- To allow the adhesive to cure, do not wash the vehicle for 24 hours. Please advise the client.
- Identify each door edge film by referring to the identification mark.
- Install the door edge film before installing the accessory body side moldings.

## Installing the Front Door Edge Film

1. Open the left front door.
2. Using an alcohol swab, thoroughly clean the area where the left front door edge film will attach.



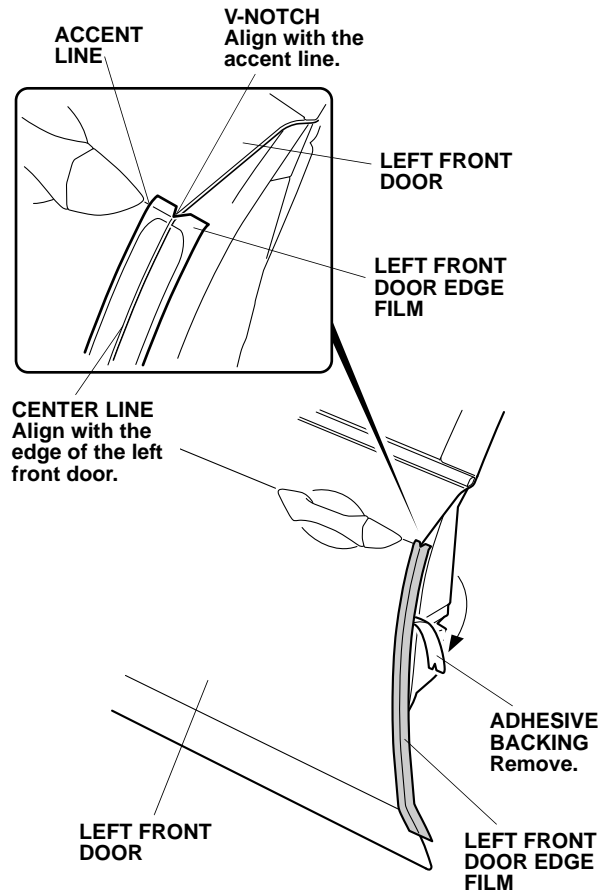
3. Close the left front door.



4. Using a spray bottle with the 3M protective tape application solution, spray the outside of the left front door where the left front door edge film will attach. Do not spray the inner surface of the left front door.

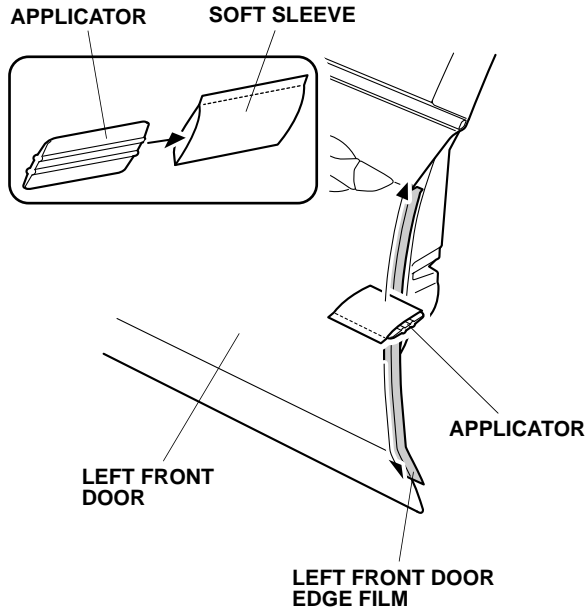
NOTE: The protective tape application solution is needed for the door edge film to be installed without bubbles or wrinkles.

5. Open the left front door.
6. Peel back the adhesive backing from the left front door edge film partway and align the v-notch on the left front door edge film with the accent line in the left front door.



7. Align the center line on the left front door edge film with the edge of the left front door. While applying light pressure, carefully remove the adhesive backing.

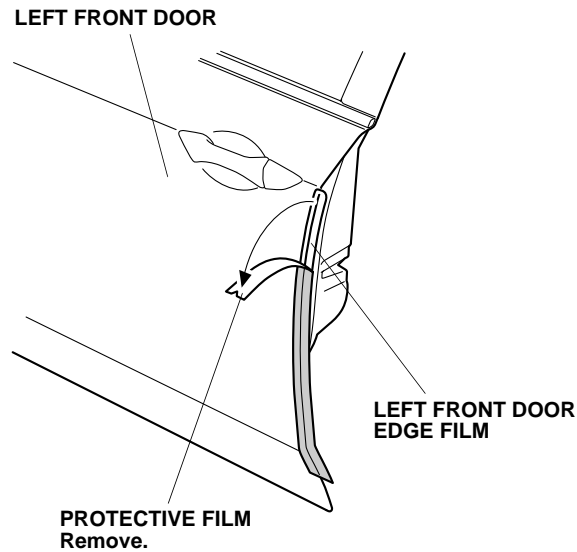
8. Insert the applicator into the soft sleeve.



9. Starting from the center and working outward, use the applicator to smooth out the left front door edge film.

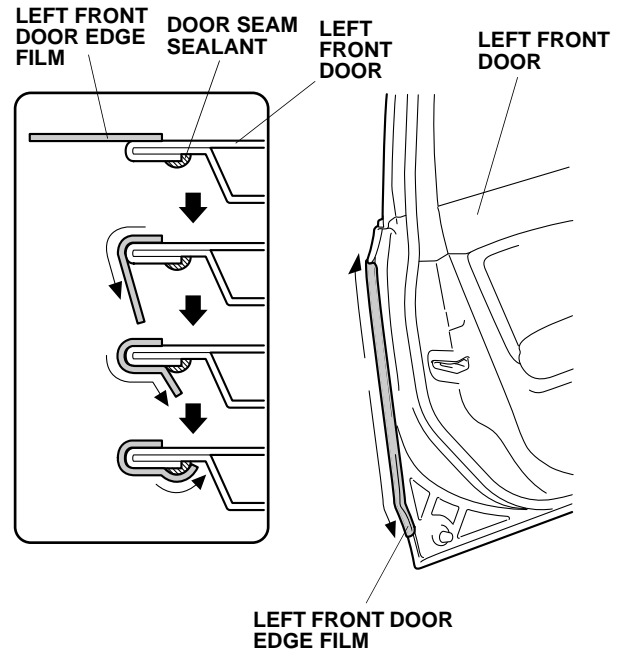
NOTE: Move the applicator in one direction only.

10. Slowly remove the protective film from the left front door edge film.

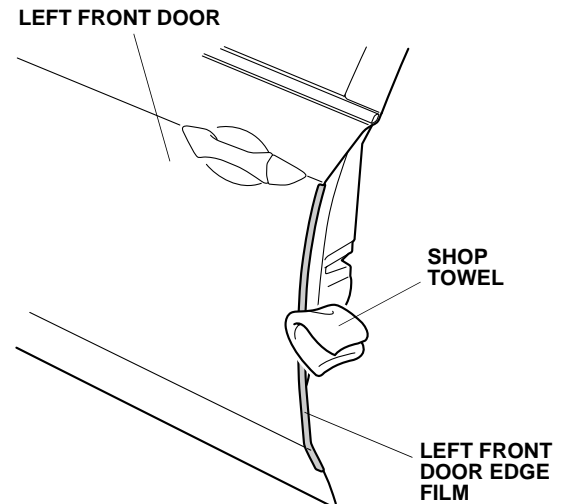


11. Starting from the center and working outward, use your finger and the applicator to fold the left front door edge film inside the left front door as shown.

NOTE: Move the applicator in one direction only. Do not damage the door seam sealant.

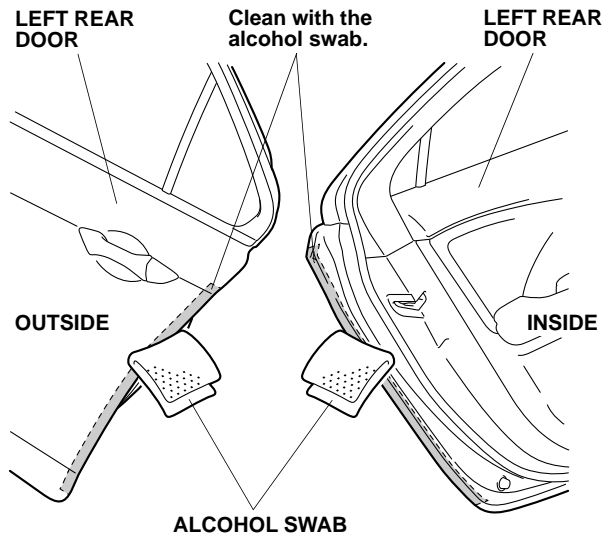


12. Using a shop towel, wipe the excess 3M protective tape application solution from the left front door edge film. Allow the left front door edge film to dry thoroughly.

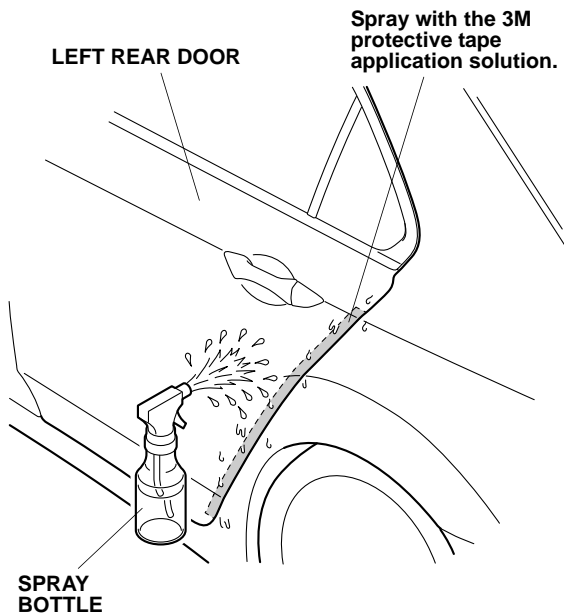


## Installing the Rear Door Edge Film

13. Open the left rear door.
14. Using an alcohol swab, thoroughly clean the area where the left rear door edge film will attach.



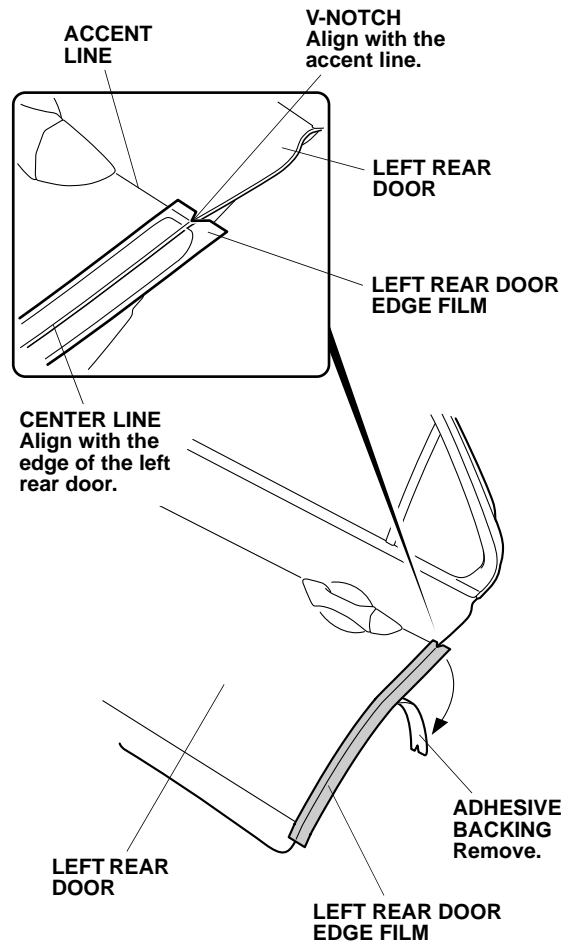
15. Close the left rear door.



16. Using a spray bottle with the 3M protective tape application solution, spray the outside of the left rear door where the left rear door edge film will attach. Do not spray the inner surface of the left rear door.

**NOTE:** The protective tape application solution is needed for the door edge film to be installed without bubbles or wrinkles.

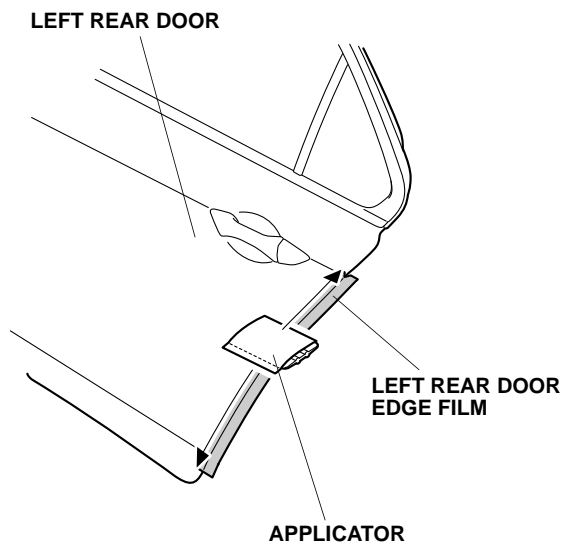
17. Open the left rear door.
18. Peel back the adhesive backing from the left rear door edge film partway and align the v-notch on the left rear door edge film to the curve end of the left rear door.



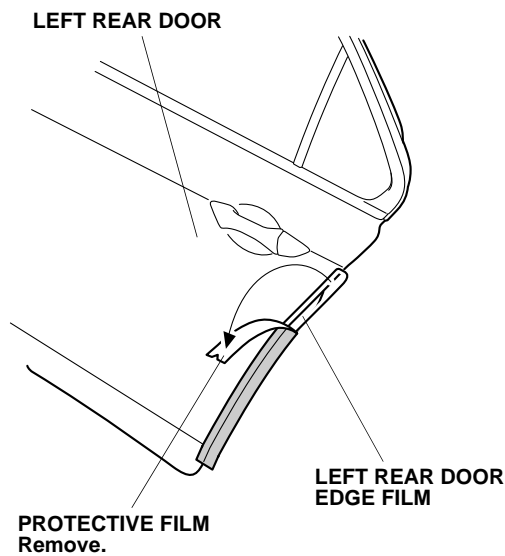
19. Align the center line on the left rear door edge film with the edge of the left rear door. While applying light pressure, carefully remove the adhesive backing.

20. Starting from the center and working outward, use the applicator to smooth out the left rear door edge film.

NOTE: Move the applicator in one direction only.

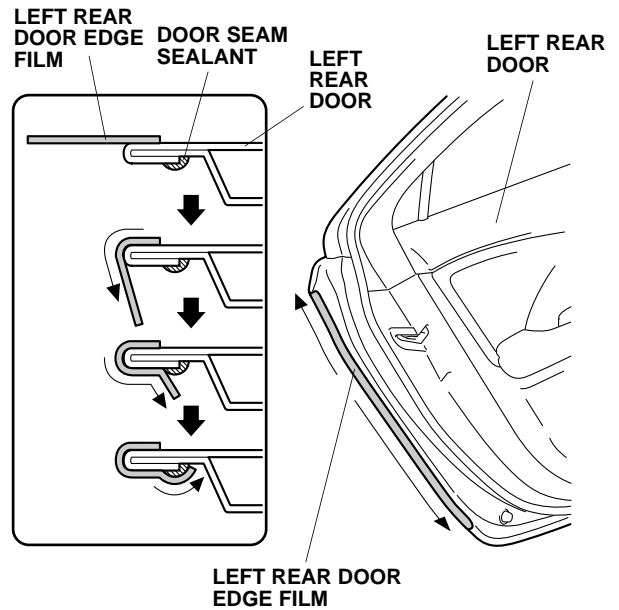


21. Slowly remove the protective film from the left rear door edge film.

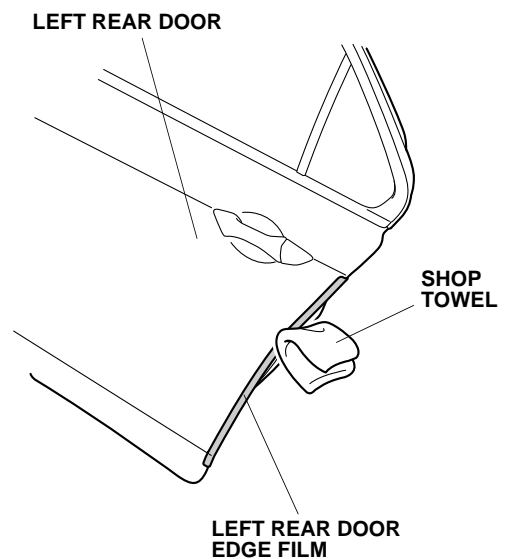


22. Starting from the center and working outward, use your finger and the applicator to fold the left rear door edge film inside the left rear door as shown.

NOTE: Move the applicator in one direction only. Do not damage the door seam sealant.



23. Using a shop towel, wipe the excess 3M protective tape application solution from the left rear door edge film. Allow the left rear door edge film to dry thoroughly.



24. Repeat steps 1 through 23 to install the door edge film on the right side of the vehicle.