



# INSTALLATION INSTRUCTIONS

Accessory

ALL SEASON FLOOR MATS  
P/N 08P13-TL2-210 (BLACK)  
P/N 08P13-TL2-220 (CARMEL)

Application

2011 TSX

Publications No.

BII 44974

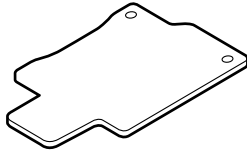
Issue Date

NOV 2010

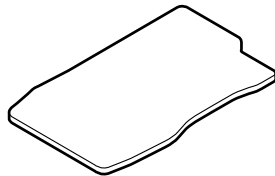
Put this information in the glove box with the vehicle owner's manual.

## PARTS LIST

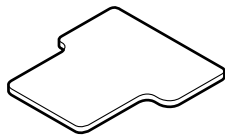
Driver's all season floor mat



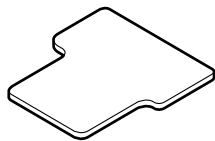
Front passenger's all season floor mat



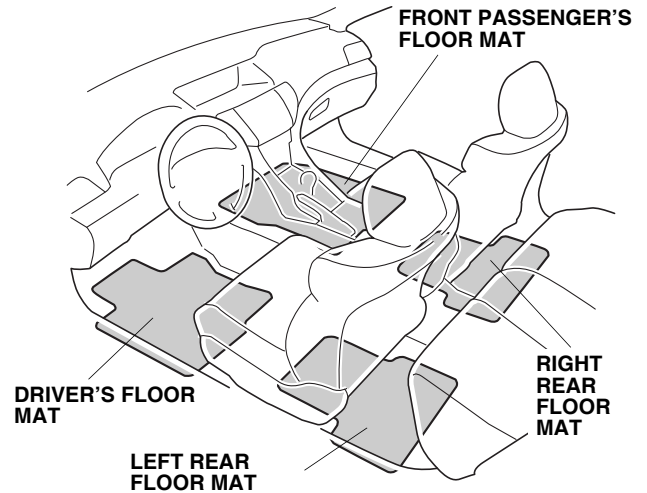
Left rear all season floor mat



Right rear all season floor mat



## Illustration of the Floor Mats installed in the Vehicle

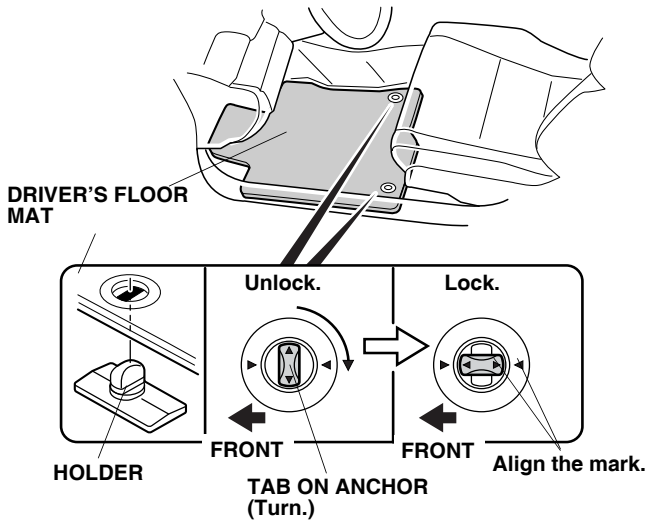


## INSTALLATION

### NOTE:

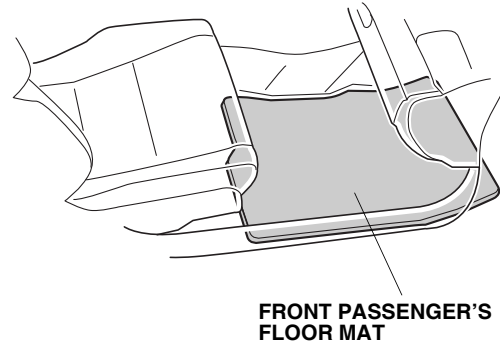
- Before installing the floor mats, identify their installation positions.
- Anchors are required for the driver's floor mat; the anchors prevent the front floor mat from sliding forward and possibly interfering with the pedals.
- If you remove the driver's floor mat, make sure you reanchor it when you put it back in the vehicle.
- If you replace the floor mat, use factory mats designed to be used with the anchors.
- If you use a non-factory floor mat in the driver's footwell, make sure it fits properly and that it can be used with the anchors.
- Do not put any additional floor mats on top of the anchored mat. An additional floor mat may slide forward and possibly interfere with the pedals.
- Identify each floor mat by the marks on the back of each mat: the mats marked "R" or "Passenger's side" go on the right side of the vehicle; the mats marked "L" or "Driver's side" go on the left side.

1. Position the driver's floor mat by aligning the tabs with their respective anchors.



2. Turn the tabs on the anchors one quarter turn to secure the floor mat.

3. Position the front passenger's floor mat in the front passenger's footwell.



4. Position the right rear and left rear floor mats in the right rear and left rear passenger's footwells.

