

# INSTALLATION INSTRUCTIONS

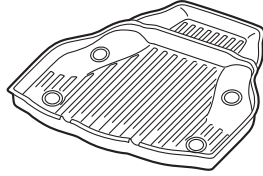
Accessory  
**TRUNK TRAY**  
 P/N 08U45-TK4-200

Application  
**2011 TL**

Publications No.  
**BII 44606**  
 Issue Date  
**AUG 2010**

## PARTS LIST

Trunk tray

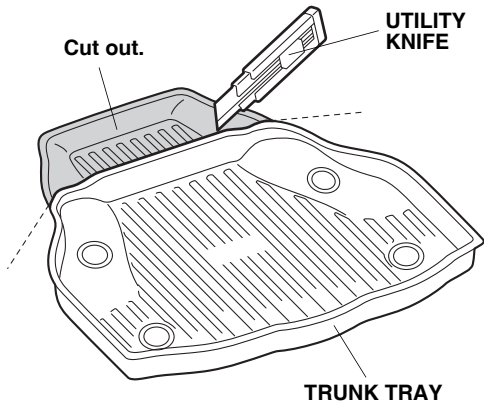


## TOOLS AND SUPPLIES REQUIRED

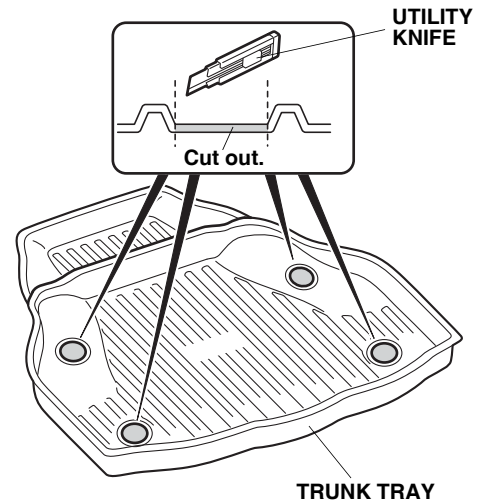
Utility knife

## INSTALLATION

1. On AWD models, cut out the marked area from the trunk tray with a utility knife.



2. If the vehicle is equipped with a cargo net, cut out the four marked areas from the trunk tray with a utility knife.



3. Open the trunk lid, and install the trunk tray in the trunk floor.

