



INSTALLATION INSTRUCTIONS

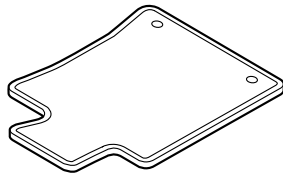
Accessory
ALL-SEASON MATS

Application
2011 TL

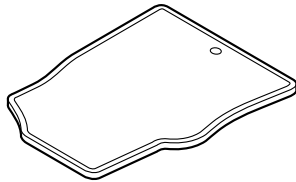
Publications No.
BII 44584
Issue Date
AUG 2010

PARTS LIST

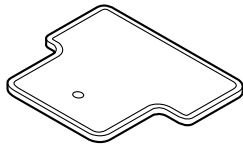
All-Season Mats
P/N 08P13-TK4-210 (Black)
P/N 08P13-TK4-220 (Caramel)
Driver's side all-season mat



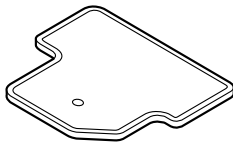
Passenger's side all-season mat



Left rear all-season mat

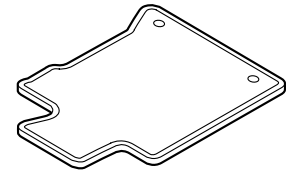


Right rear all-season mat

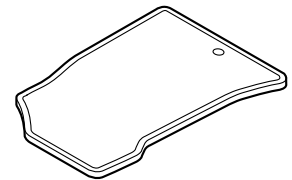


All-Season Mats (AWD)
P/N 08P13-TK5-210 (Black)
P/N 08P13-TK5-220 (Caramel)

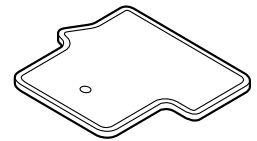
Driver's side all-season mat



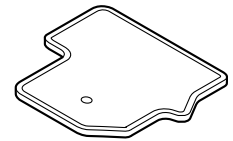
Passenger's side all-season mat



Left rear all-season mat



Right rear all-season mat



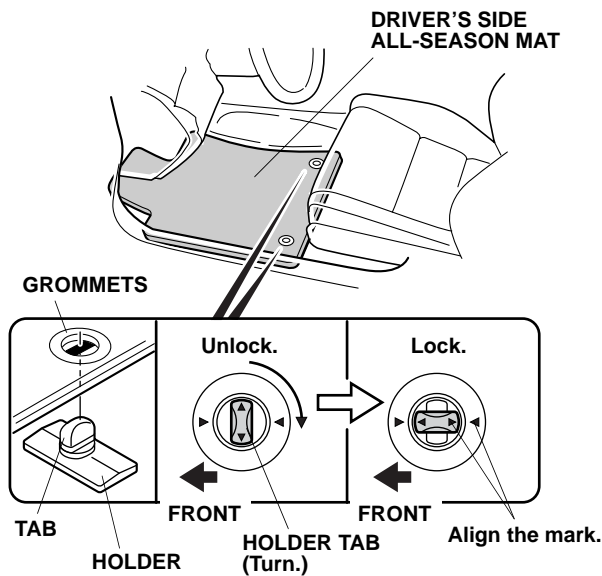
INSTALLATION

NOTE:

- An anchor is required for the driver's side of the vehicle; the anchor prevents the front mat from sliding forward and possibly interfering with the pedals.
- If you remove the front mat, make sure you reanchor it when you put it back in your vehicle.
- If you replace the mat, use factory mats designed to be used with the anchor
- If you use a non-factory mat in the driver's footwell, make sure it fits properly and that it can be used with the anchor.
- Do not put any additional mats on top of the anchored mat. An additional mat may slide forward and possibly interfere with the pedals.
- Identify each mat by the marks on the back of each mat: the mats marked "R" or "Passenger's side" go on the right side of the vehicle; the mats marked "L" or "Driver's side" go on the left side.

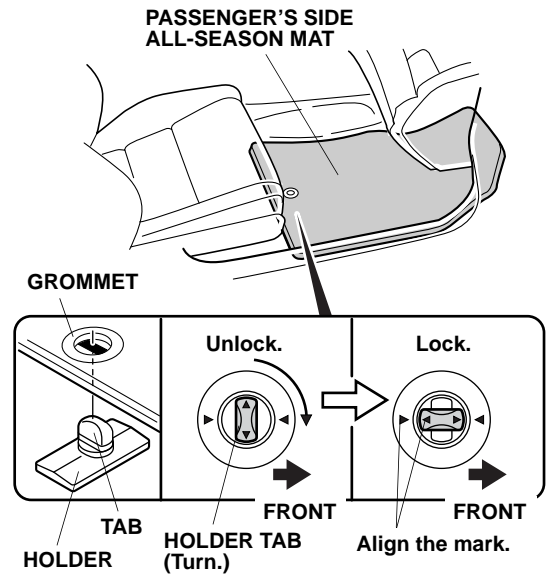
Installing the All-Season Mats

1. Position the driver's side all-season mat by aligning the tabs with their respective grommets.

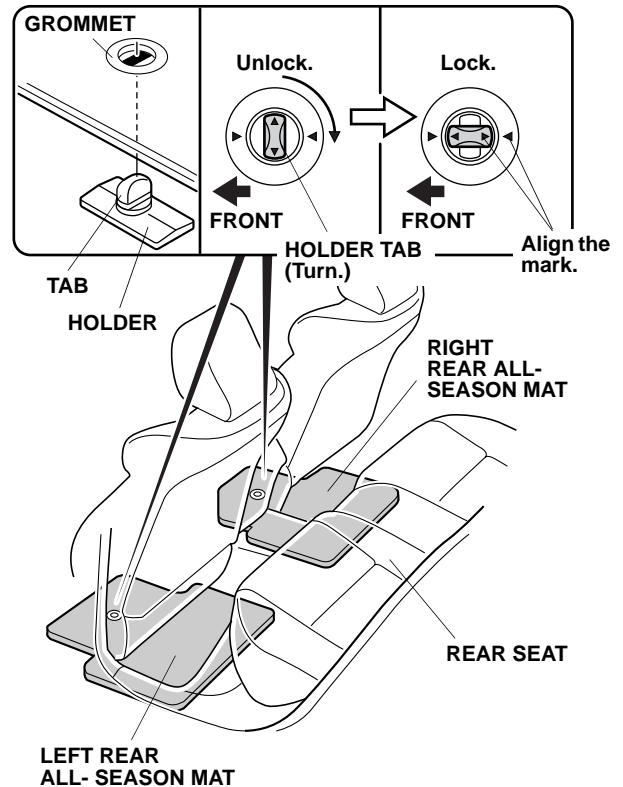


2. Turn the tabs on the holders one quarter turn to secure the all-season mat.

3. Position the passenger's side all-season mat by aligning the tab with the grommet.



4. Turn the tab on the holder one quarter turn to secure the all-season mat.
5. Position the right and left rear all-season mats by aligning each tab with each grommet.



6. Turn the tab on the each holder one quarter turn to secure the all-season mats.