

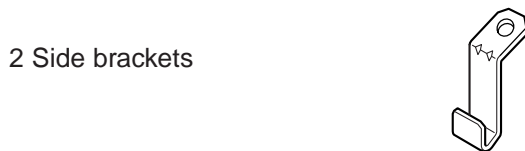
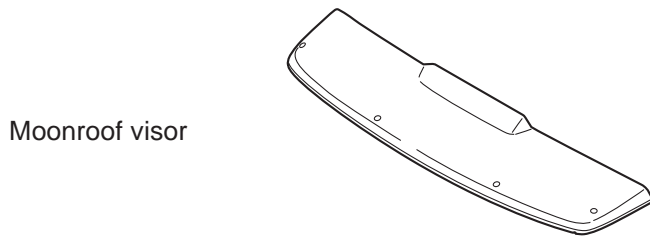


ACURA INSTALLATION INSTRUCTIONS

Accessory MOONROOF VISOR P/N 08R01-SJA-200	Application 2011 RL	Publications No. BII 44689
		Issue Date DEC 2010

Put this information in the glove box with the vehicle's owner's manual.

PARTS LIST

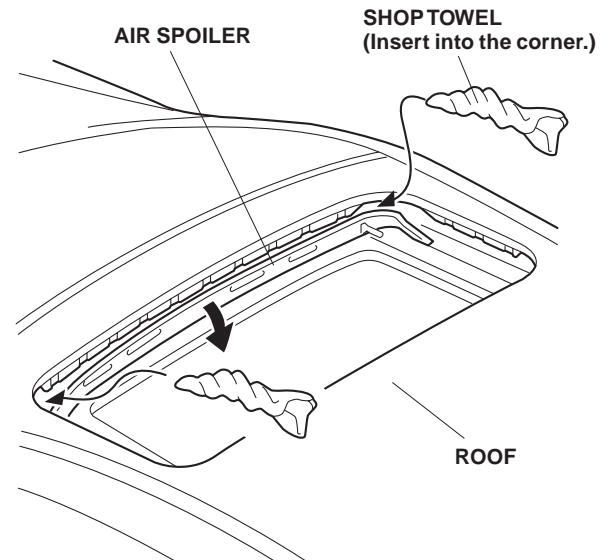


TOOLS AND SUPPLIES REQUIRED

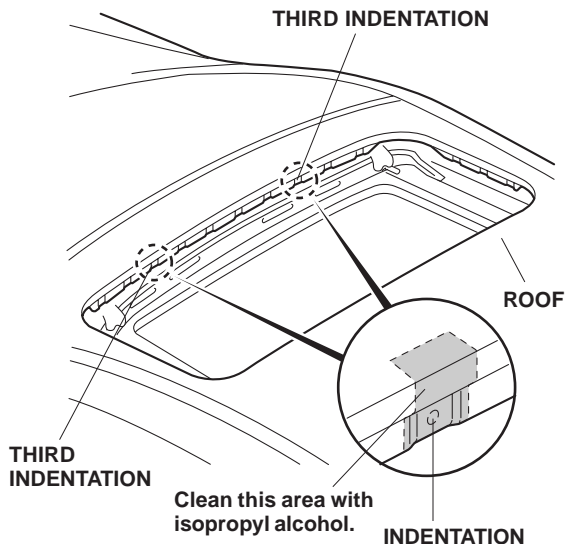
- 10 mm Combination wrench
- #2 Phillips screwdriver
- Masking tape
- Isopropyl alcohol
- Shop towel
- Felt-tip pen
- Tape measure
- Torque wrench

INSTALLATION

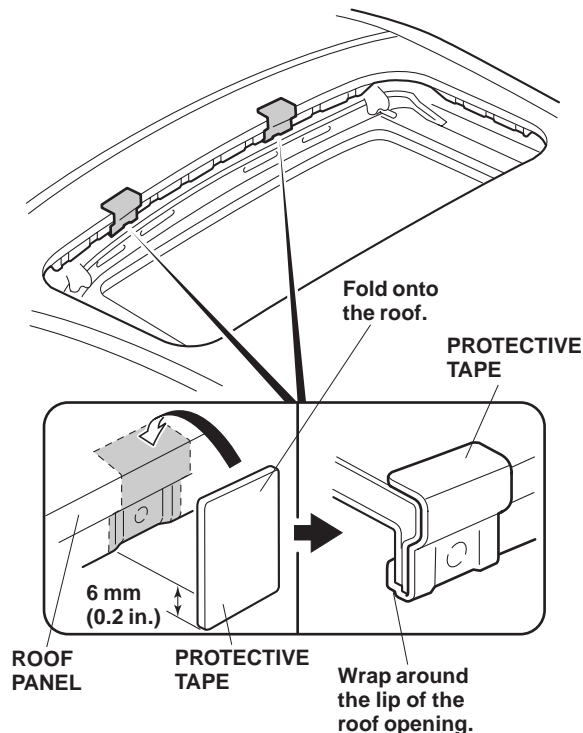
1. Clean the roof area to be covered, and wax the area with a high-quality paste wax.
2. Open the moonroof.
3. Crumple two shop towels up, and insert them between the roof panel and air spoiler to lower the air spoiler. Be careful not to damage the air spoiler.



- Using isopropyl alcohol on a shop towel, clean the roof area and the inside edge of the moonroof opening where the protective tape will attach.

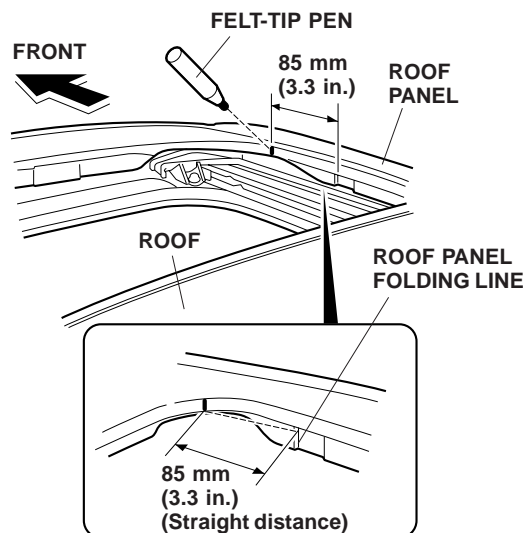


- Remove the adhesive backing from one of the pieces of protective tape. Starting at the bottom edge of the tape, wrap 6 mm (0.2 in.) of the protective tape around the lip of the moonroof opening to at one of the located indentations; continue upward with the tape around the top of the roof panel.

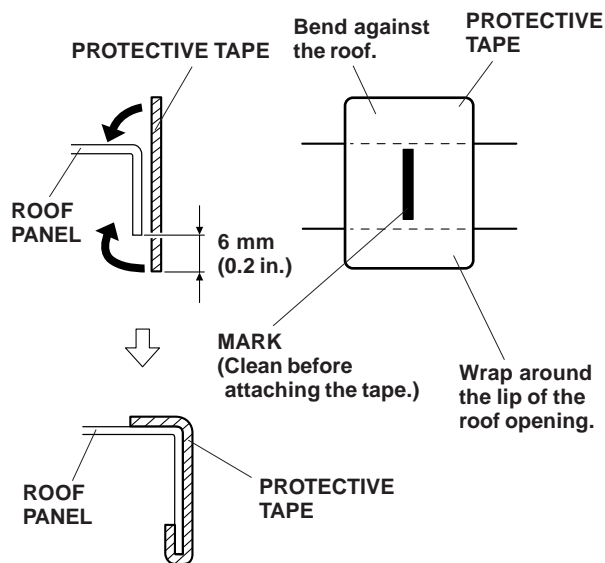


- Using the same procedure, attach the other protective tape to the roof at the other location.

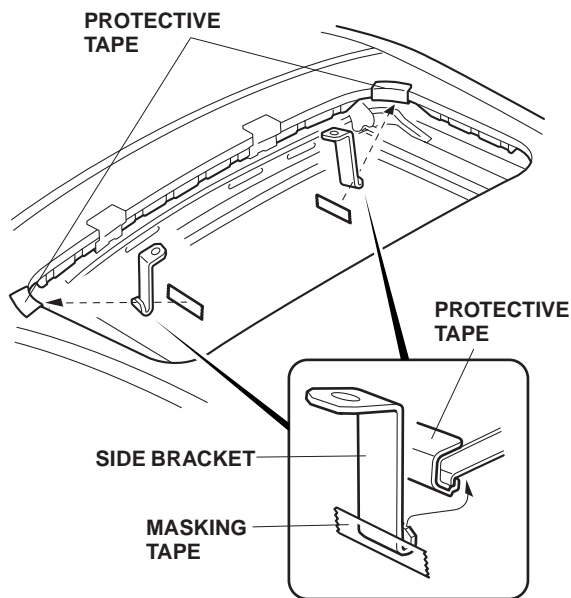
- Locate the roof panel folding line on the right side of the moonroof opening. Measure 85 mm (3.3 in.) toward the front of the car, and make a mark on the roof. Repeat on the other side of the moonroof opening.



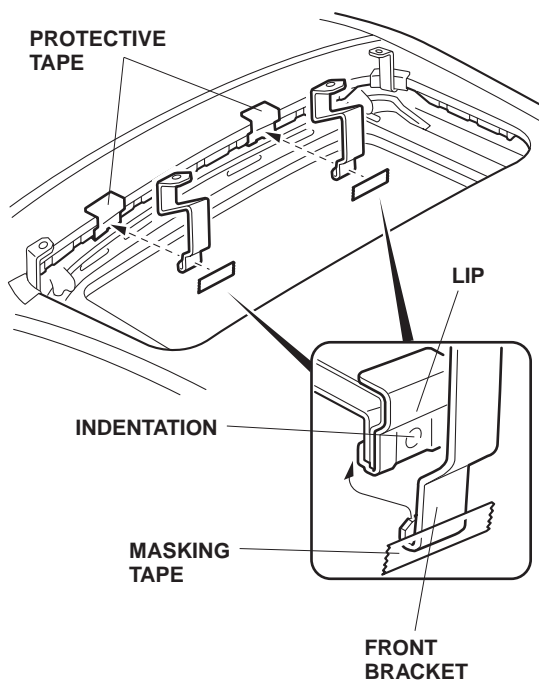
- Using isopropyl alcohol on a shop towel, clean the roof at each of the two marks you've made but don't wipe off the marks.
- Remove the adhesive backing from two pieces of protective tape, and attach one to the roof at each of the two marks you made. Wrap 6 mm (0.2 in.) of the protective tape around the lip of the moonroof opening.



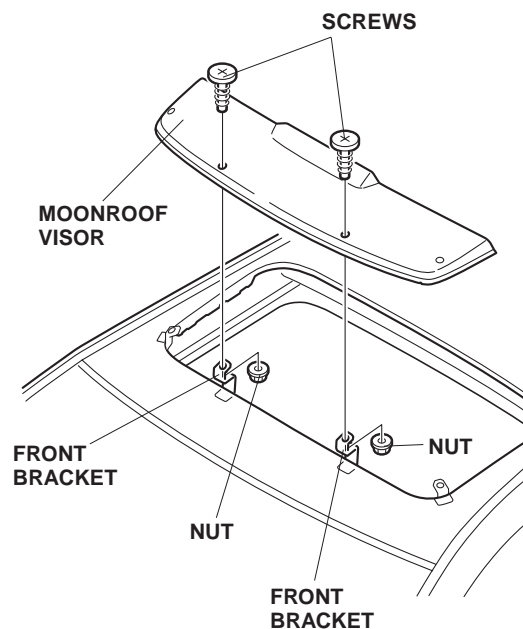
- Place the two side brackets into position over the protective tape and around the lip of the roof opening, and secure them into position with pieces of masking tape.



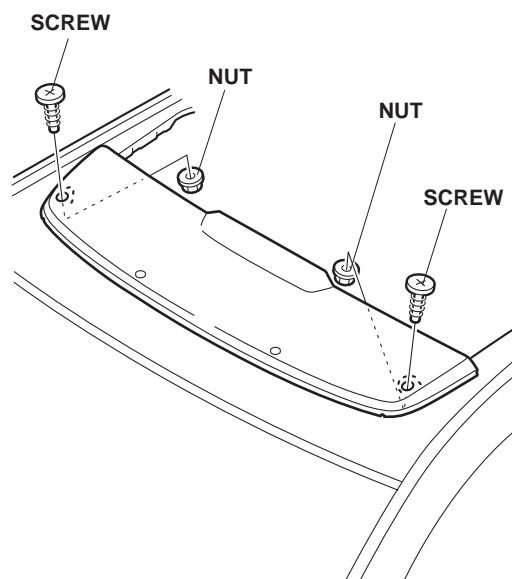
- Place the two front brackets into position over the protective tape and around the lip of the roof opening, and tape them into position with pieces of masking tape. Be sure to align the lower end of the front brackets with the indentation in the lip.



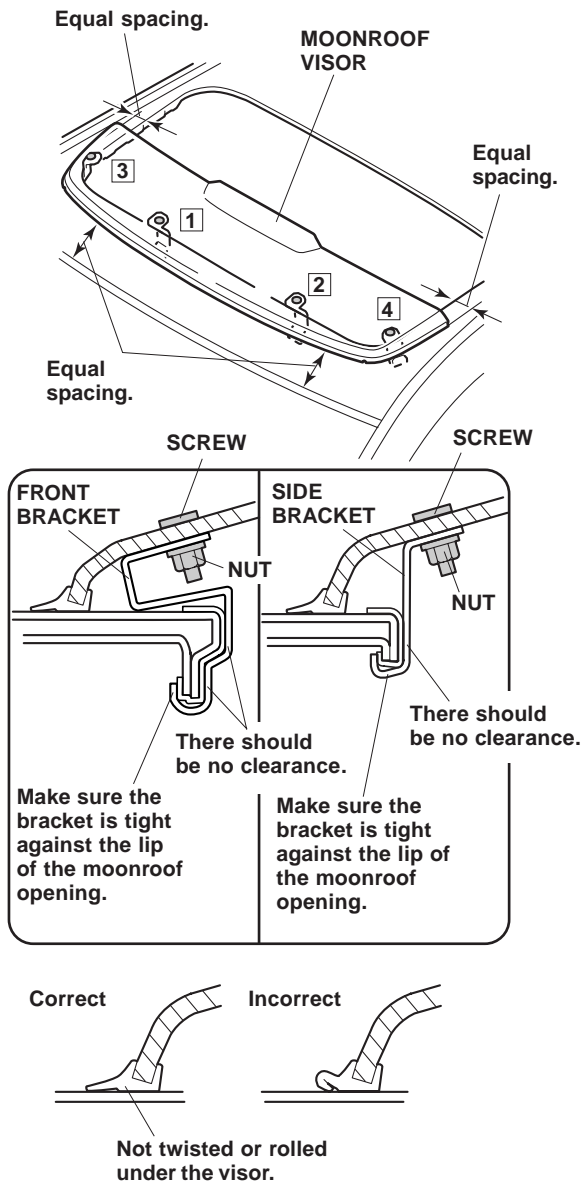
- Set the moonroof visor on the vehicle roof in front of the moonroof opening, and adjust its position so the holes in the visor are aligned with the front bracket holes. Install two screws and nuts loosely into the front brackets.



- Insert screws through the two remaining holes on the top of the visor; then loosely install the nuts as shown.



- Position the moonroof visor with equal spacing on all sides. Check that the rubber seal is not twisted or rolled under the visor.



- Tighten the nuts and screws in the order shown, alternating between sides. There should be no clearance as shown. To prevent damage to the moonroof visor and the resin nuts, do not overtighten the screws.
Tightening torque: 2 N·m (0.2 kgf·m, 1.5 lb·ft)
- Remove the shop towels and masking tape.

CARE OF THE MOONROOF VISOR

- To avoid damaging the surface, never use ammonia-based cleaners or solvents to clean the moonroof visor.
- Clean with a solution of mild dishwashing soap and water using a soft cloth or chamois.
- To remove fine scratches and restore the original luster, use Meguiar's Mirror Glaze plastic cleaner and polish or an equivalent high-quality plastic cleaner.