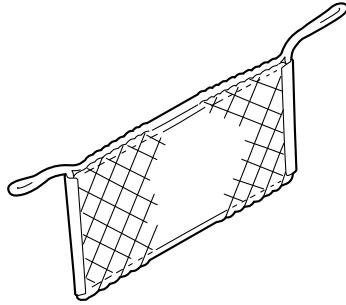
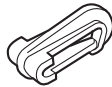


PARTS LIST

Cargo net



4 Hooks



2 Anchors



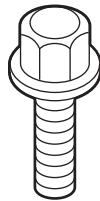
2 Nuts



4 Washers



2 Flange bolts



2 Spring washers



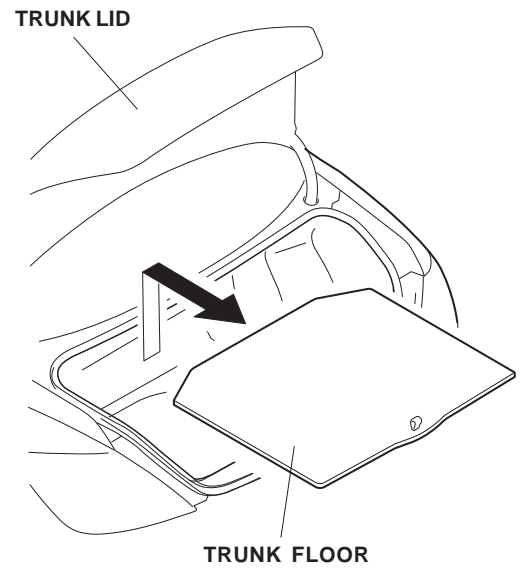
TOOLS AND SUPPLIES REQUIRED

- Phillips screwdriver
- Flat-tip screwdriver
- Clip remover
- 10 mm Combination wrench
- 10 mm Offset wrench
- Metal scale

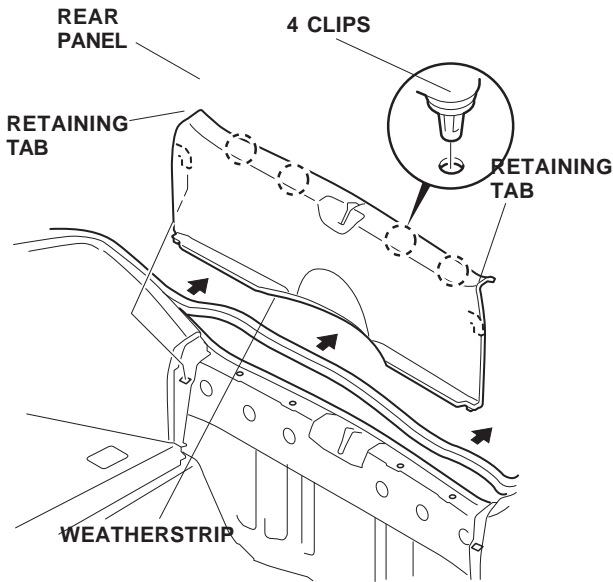
INSTALLATION

NOTE: Be careful not to damage the body.

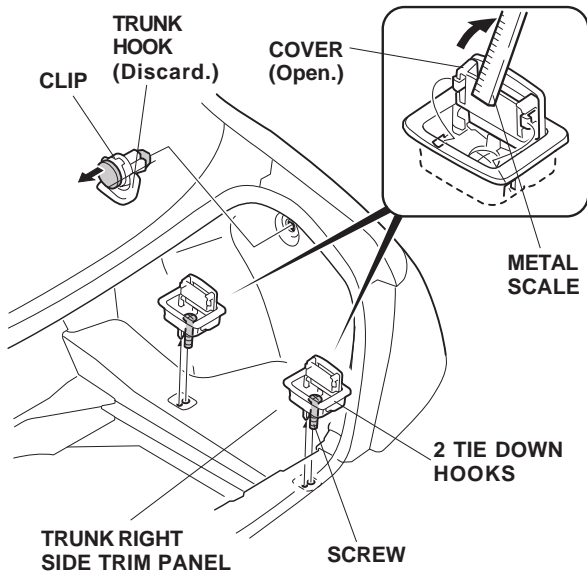
1. Open the trunk lid. Remove the trunk floor from the trunk.



- Remove the weatherstrip from the area shown. Remove the rear trim panel (two retaining tabs and four clips).

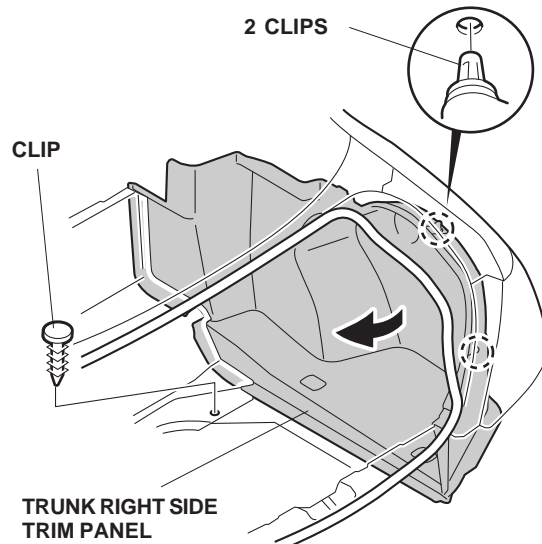


- Remove the two tie down hooks from the bottom of the trunk right side trim panel (open the cover, and remove the screw for each trunk hook). Insert a metal scale (pocket ruler) at the edge of the cover, and pry it open. Take care not to damage the cover.

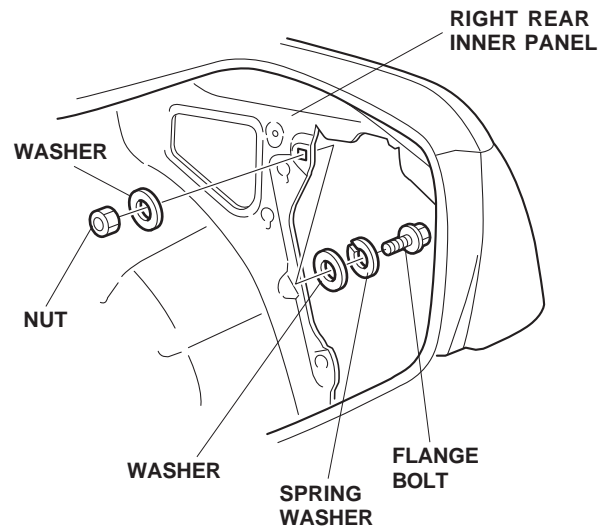


- Remove the trunk hook (clip) from the trunk right side trim panel.

- Remove the clip from the trunk trim panel.

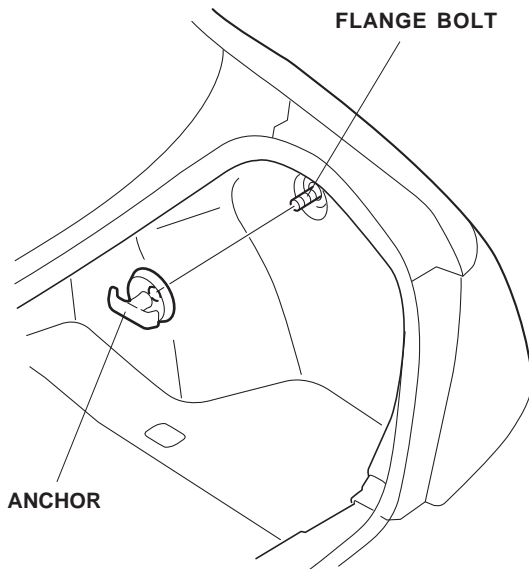


- Pull out the trunk right side trim panel (two clips).
- Install a nut, two washers, spring washer, and flange bolt into the hole in the right rear inside panel where you removed the trunk hook.



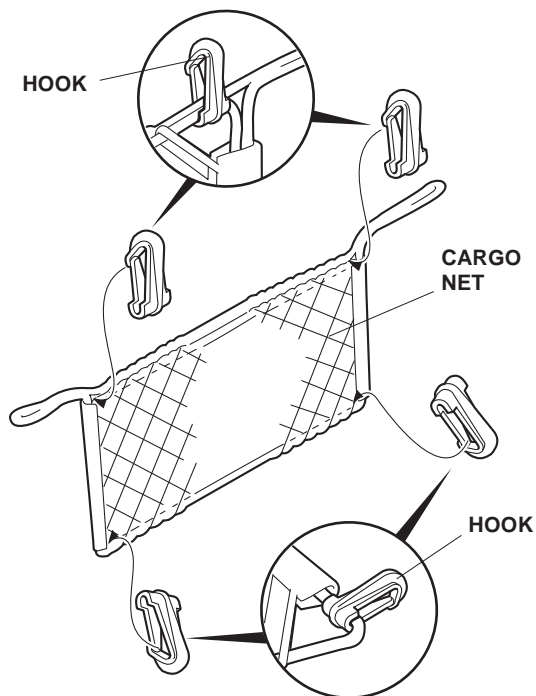
- Reinstall all removed parts. Check that all clips are installed securely.

9. Install the anchor to the flange bolt.

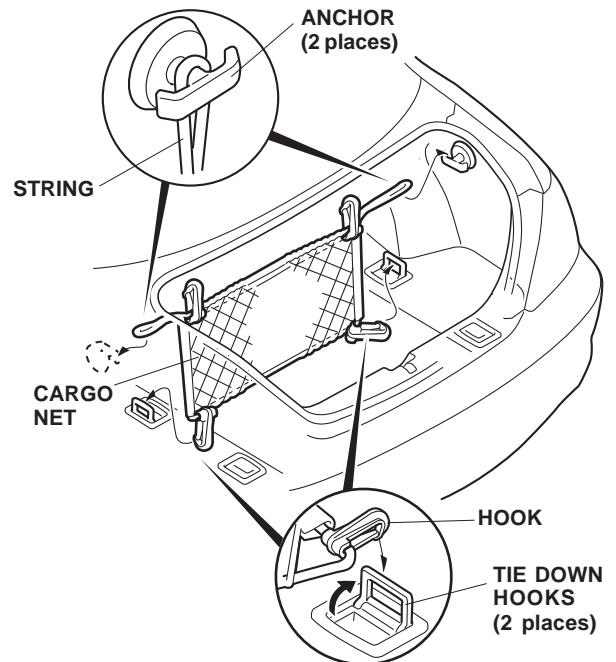
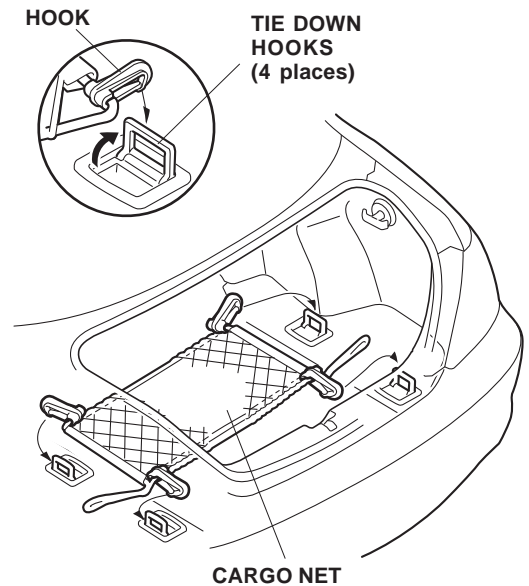


10. Repeat steps 3 through 9 on the left side of the vehicle.

11. Attach the four hooks onto the cargo net as shown.



12. Install the cargo net to the tie down hooks and the anchors in the trunk. The cargo net can be installed in two different positions, vertically or horizontally.



NOTE:

- Do not store large or fragile objects in the net.
- Do not store objects with sharp edges or corners, as they may damage the cargo net or the car. Wrap such objects in paper or a blanket so they will not contact the net directly.