

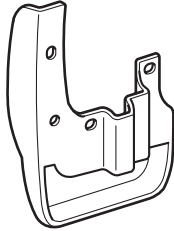


# ACURA INSTALLATION INSTRUCTIONS

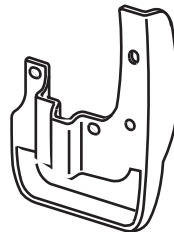
Accessory	Application	Publications No.
<b>SPLASH GUARDS</b>	<b>2011 RDX</b>	<b>BII 43541</b>
		Issue Date
		<b>JULY 2010</b>

## PARTS LIST

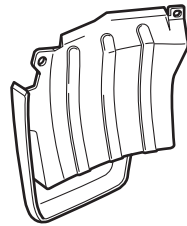
Right front splash guard



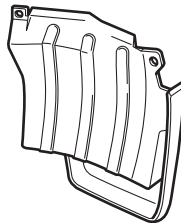
Left front splash guard



Right rear splash guard



Left rear splash guard



2 Washer screws, 5 x 30 mm



2 Clips



## TOOL AND SUPPLIES REQUIRED

Stubby Phillips screwdriver

Clip remover

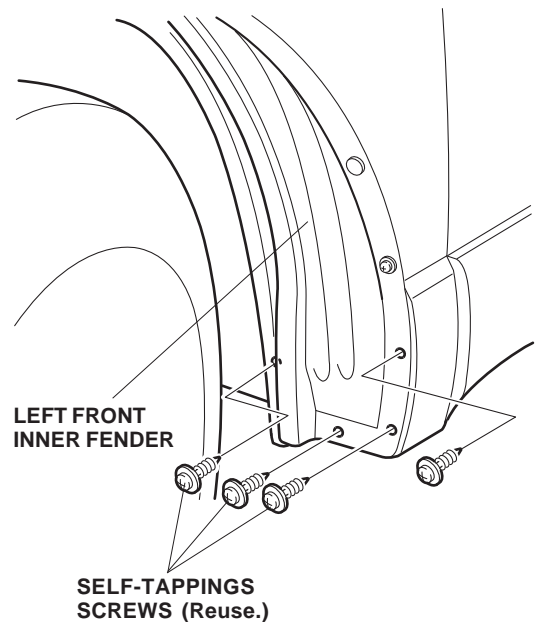
## INSTALLATION

### NOTE:

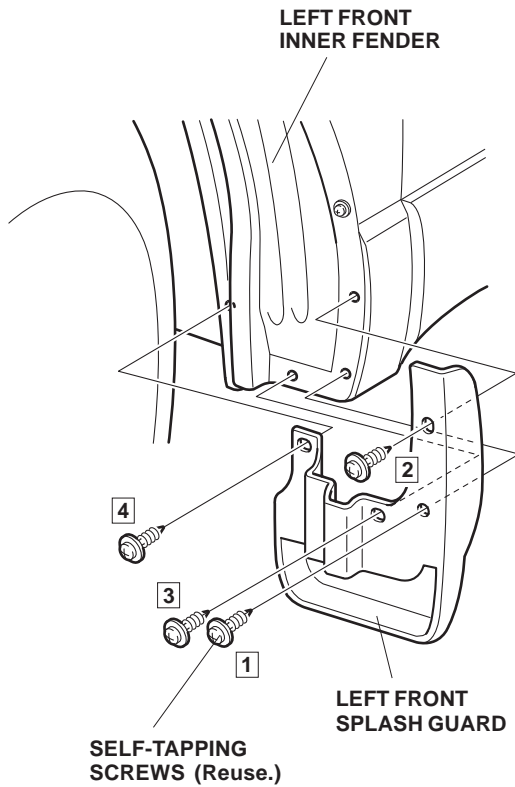
- These instructions show the left splash guards being installed. The same procedure applies to installing the right splash guards.
- Make sure the area to be covered is clean and waxed.

### Installing the Front Splash Guards

1. Turn the steering wheel all the way counterclockwise.
2. Remove and retain the four self-tapping screws that fasten the left front inner fender to the fender and fenderwell.



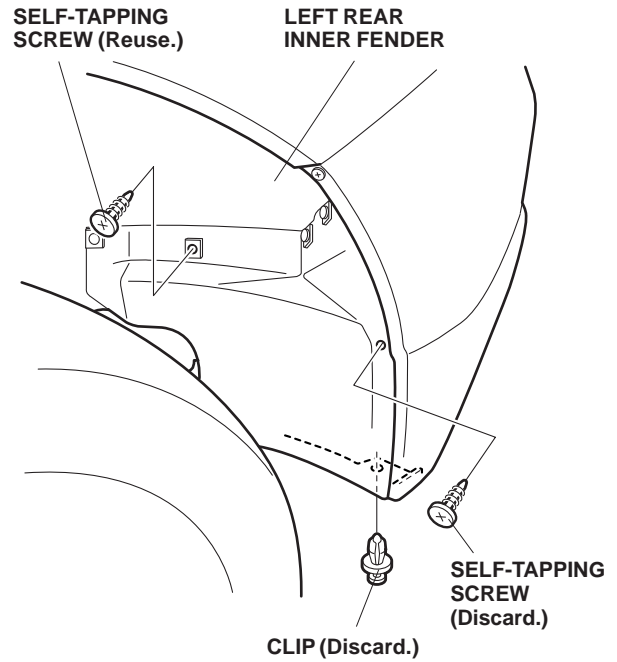
- Position the left front splash guard on the left front inner fender, and install the four self-tapping screws you removed. Tighten the four self-tapping screws in the order shown.



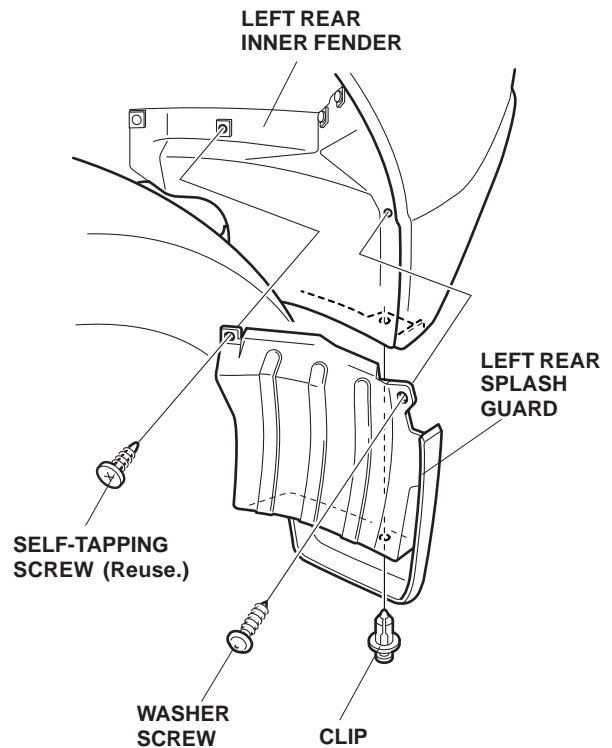
- Turn the steering wheel all the way clockwise, and repeat steps 2 and 3 to install the right front splash guard.

### Installing the Rear Splash Guards

- Remove the two self-tapping screws and one clip from the left rear inner fender.



- Position the left rear splash guard on the rear bumper and inner fender, and install the one clip and one washer screw provided, and the one self-tapping screw removed in step 5.



- Repeat steps 5 and 6 to install the right rear splash guard.