



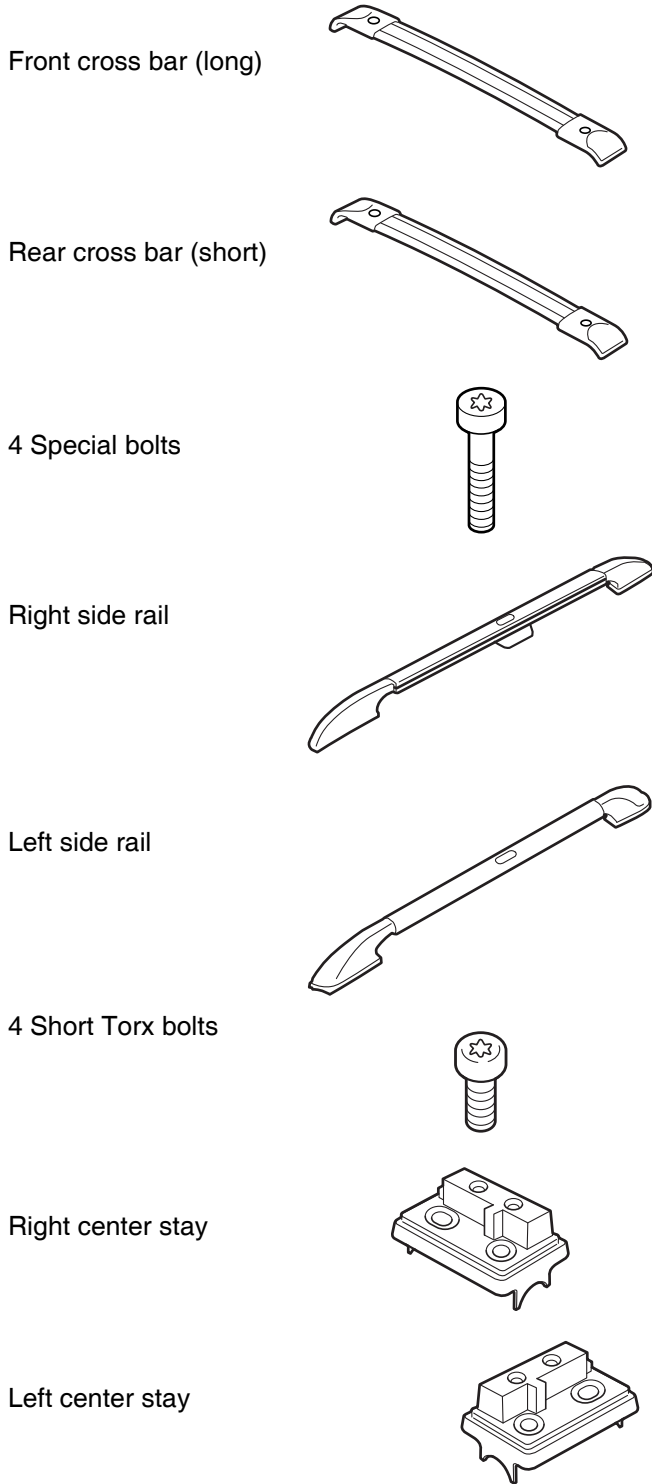
INSTALLATION INSTRUCTIONS

Accessory
ROOF RACK
P/N 08L02-STK-202

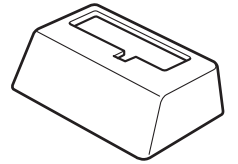
Application
2011 RDX

Publications No.
BII 43537
Issue Date
JULY 2010

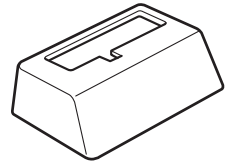
PARTS LIST



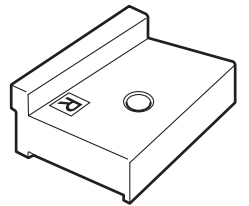
Right center cover



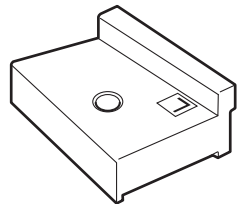
Left center cover



2 Right holders



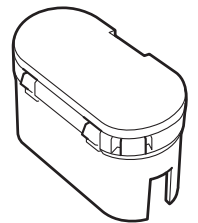
2 Left holders



12 Torx nuts



2 Rail caps



4 Washers



4 Spring washers



8 Spacers



TOOLS AND SUPPLIES REQUIRED

Phillips screwdriver
Flat-tip screwdriver
Shop towel
Long-nose pliers
T-30 TORX driver
Reciprocating saw (air saw) with 32 tpi blade
Snap-on: AT192A or equivalent
Tape measure
Blanket
Plastic trim tool
T/N SILTRIMTL 10
Cardboard box approx. 120 mm height
Eye protection (safety goggles, face shield, etc.)
Torque wrench

INSTALLATION

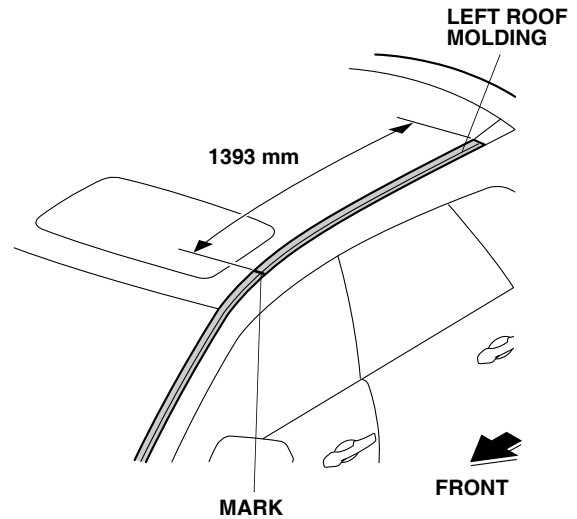
Client Information: The information in this installation instruction is intended for use only by skilled technicians who have the proper tools, equipment, and training to correctly and safely add equipment to your vehicle. These procedures should not be attempted by “do-it-yourselfers.”

NOTE:

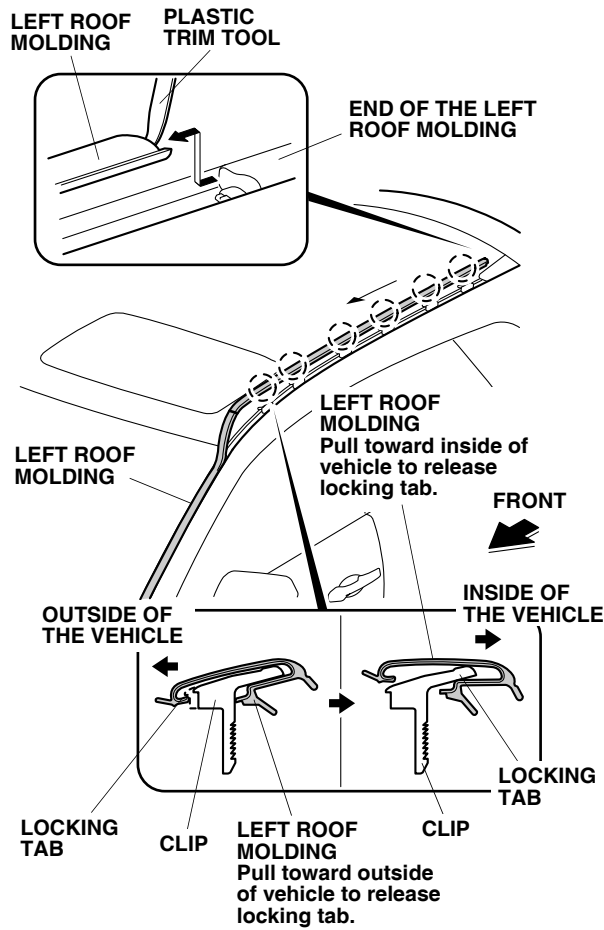
- The cargo weight must not exceed the maximum weight capacity of 110 lbs (50 kg).
- Do not damage the roof and other finished surfaces of the body when installing the roof rack.
- Do not interchange the front and rear parts or the right and left parts.

Installing the Roof Rack

1. Measure forward from the rear of the left roof molding, and mark the left roof molding at the measurement shown.

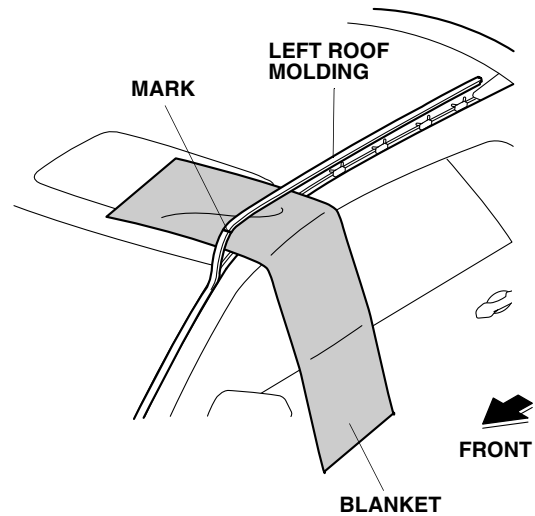


- Using a plastic trim tool, pry up the end of the left roof molding.

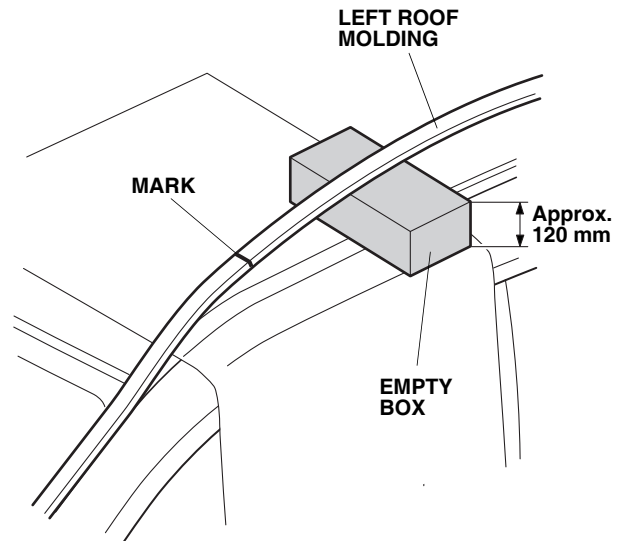


- Pull the left roof molding toward the outside of the vehicle, release the locking tab, and then press the locking tab towards the inside of the vehicle, and remove the left roof molding from the vehicle. When removing the left roof molding, start from the rear of vehicle and work towards the front.

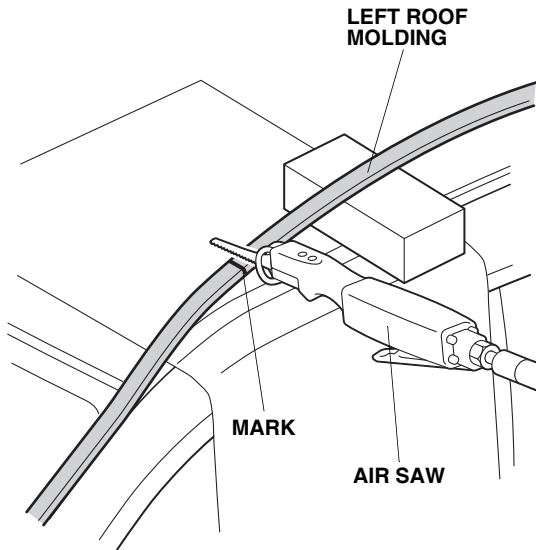
- Place a blanket over the roof of vehicle under the mark on the left roof molding. Be careful not to deform the left roof molding.



- Place a cardboard box (approx. 120 mm height) under the left roof molding near the mark. Be careful not to deform the left roof molding.

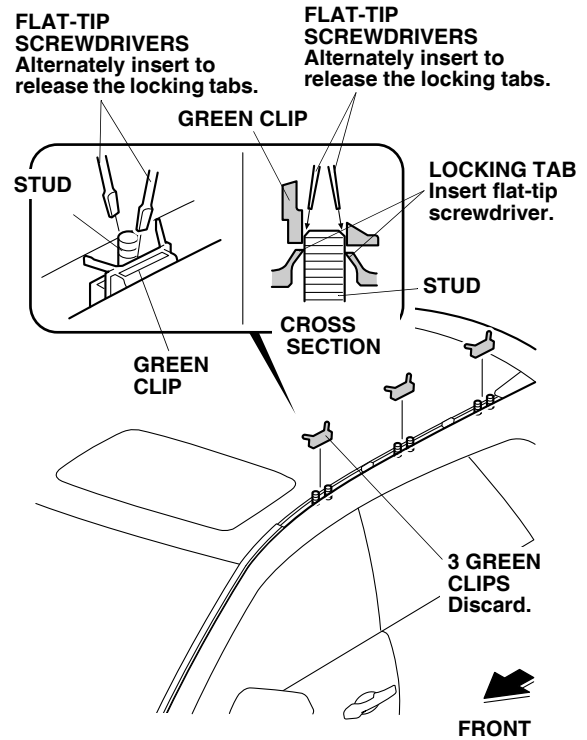


6. While wearing eye protection, use an air saw to cut the mark on the left roof molding. Do not use a cutting wheel or shears, it will damage the left roof molding.

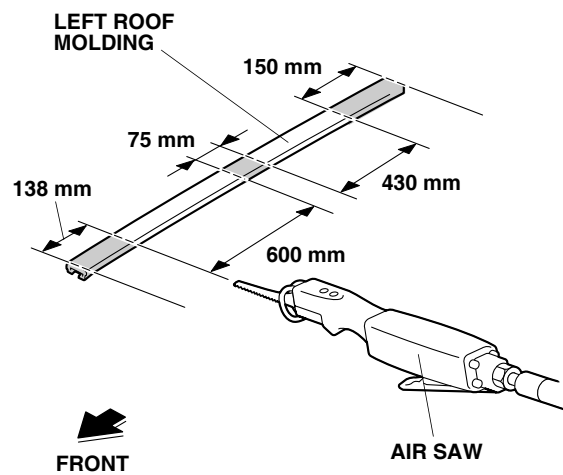


7. Remove the empty box and blanket.

8. Insert two flat-tip screwdrivers alternately between the green clip and the vehicle stud as shown. While pulling up on the green clip, release the locking tab of the green clip from the groove on the stud, notch by notch, and remove the green clip. Remove the remaining green clips the same way. Discard the green clips.

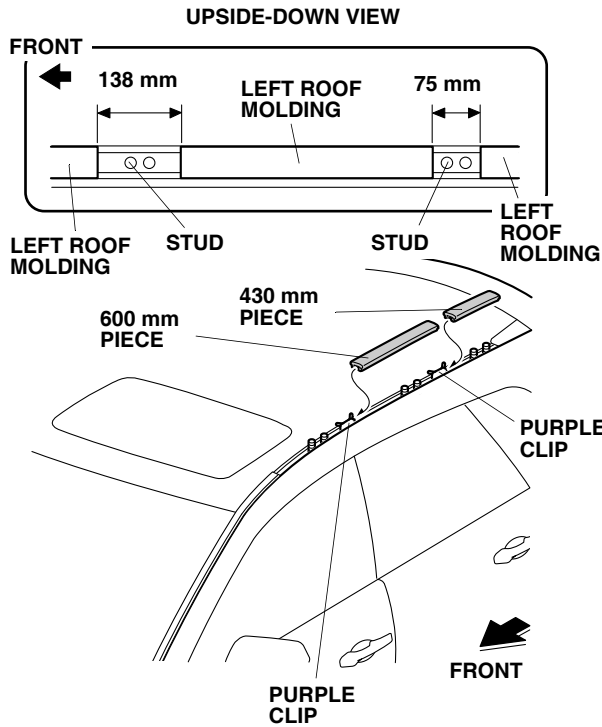


9. Measure and mark the left roof molding at the measurements shown.

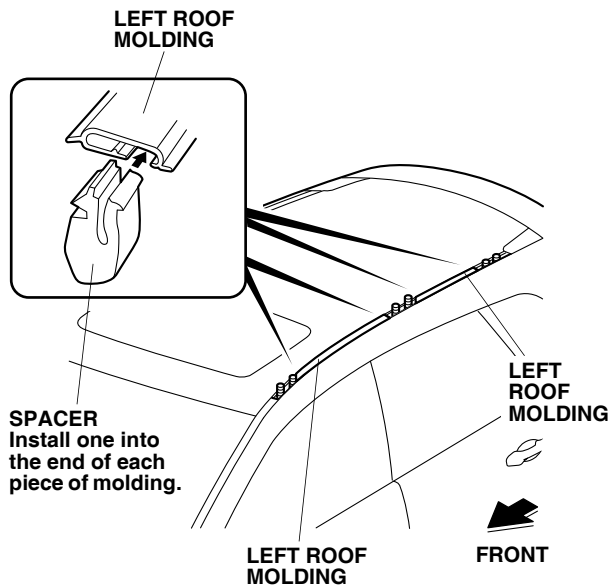


10. While wearing eye protection, use an air saw to cut the left roof molding at each mark.

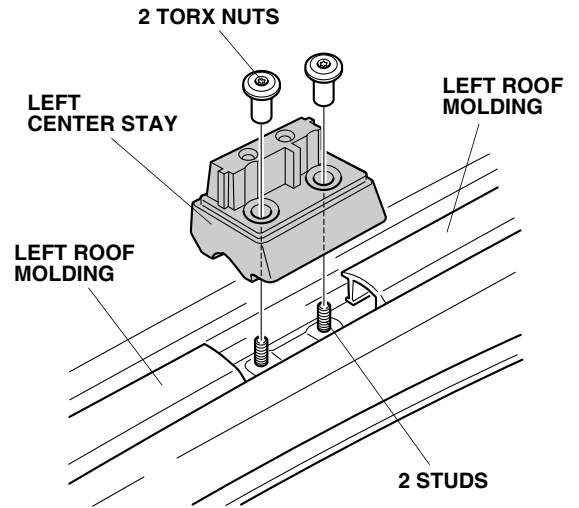
- Slide the cut pieces of roof molding onto the purple clips.



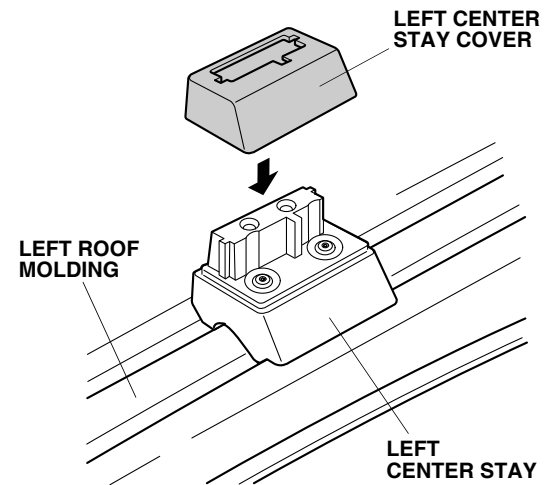
- Install a spacer into each end of each cut piece of molding.



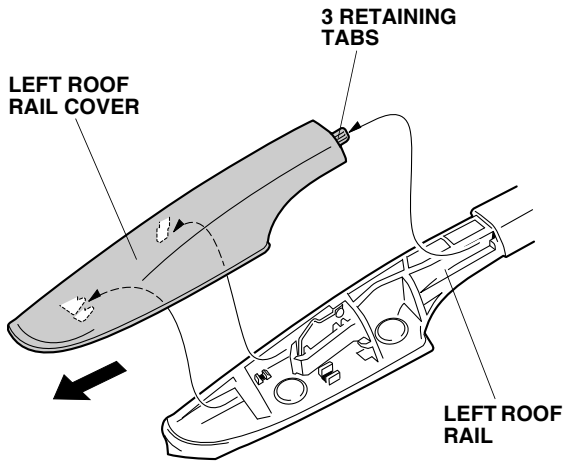
- Install the left center stay to the studs, and secure it with two TORX nuts. Torque the TORX nuts to 10-15 N·m (8-11 lbf·ft).



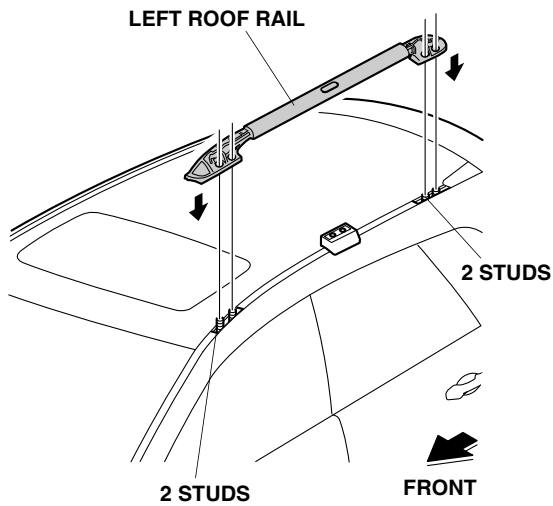
- Install the left center stay cover to the left center stay.



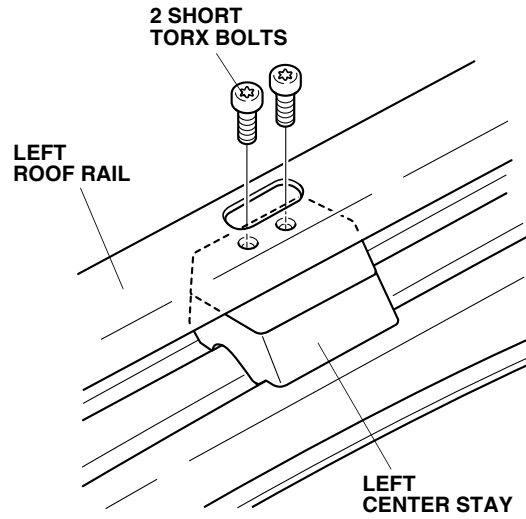
15. Remove the front and rear covers from the left roof rail (three retaining tabs for each cover).



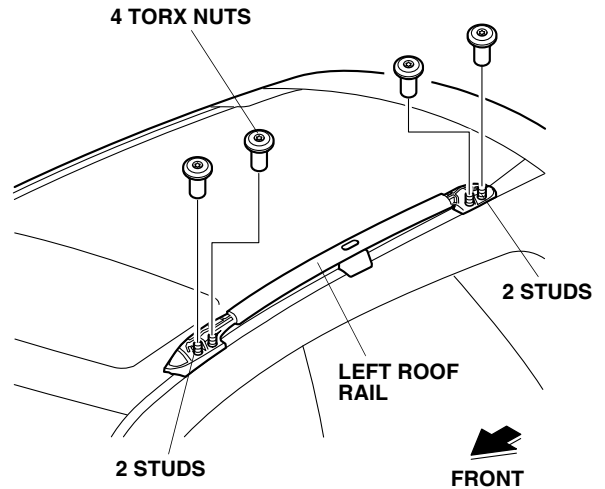
16. Install the left roof rail onto the four roof rail studs.



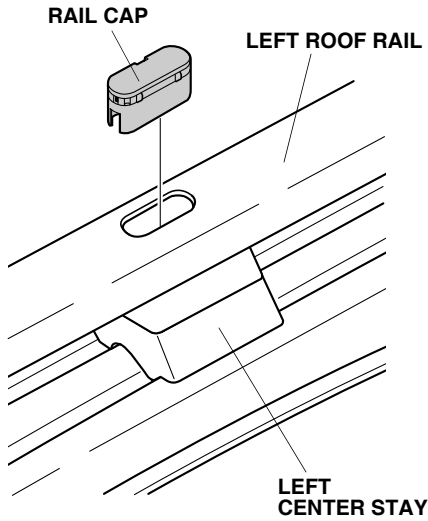
17. Secure the left roof rail to the left center stay with two short TORX bolts. Torque the short TORX bolts to 7-12 N·m (5-9 lbf-ft).



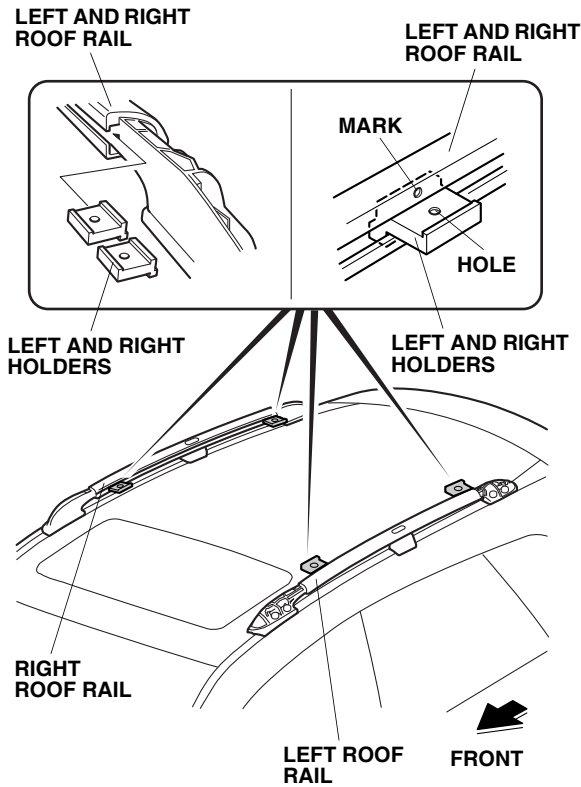
18. Install four TORX nuts over the studs. Torque the TORX nuts to 10-15 N·m (8-11 lbf-ft).



19. Install the rail cap to the left roof rail.

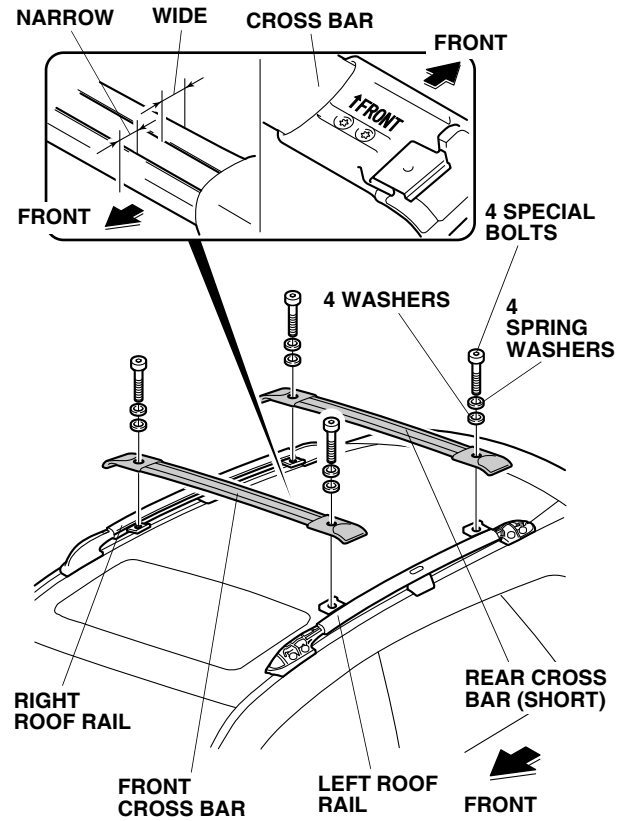


20. Repeat steps 1 thru 19 to install the roof rail on the right side of the vehicle.
21. Slide two left holders and two right holders into the left roof rail and right roof rail in the direction shown.

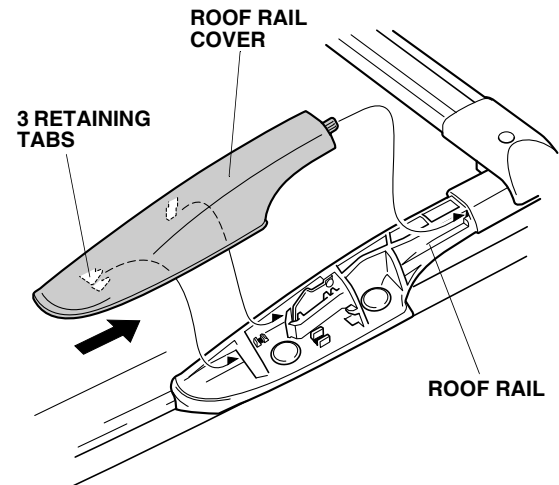


22. Align the hole on the holder to the mark on the inside of the roof rail.

23. Install the front cross bar (long) and rear cross bar (short) onto the holders, and secure them with four special bolts, four spring washers, and four washers. Make sure the cross bars are installed in the correct position and orientation.



24. Install the roof rail covers to the roof rails (three retaining tabs on each cover).



25. After installation, move the covers back and forth to make sure they are installed securely.

