



# INSTALLATION INSTRUCTIONS

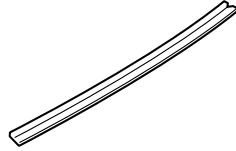
Accessory  
**DOOR EDGE FILMS**  
P/N 08P20-STK-200

Application  
**2011 RDX**

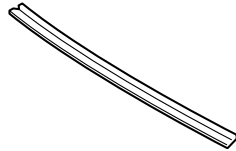
Publications No.  
**BII 43528**  
Issue Date  
**JULY 2010**

## PARTS LIST

Right front door edge film



Left front door edge film



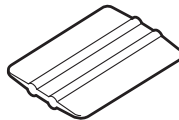
Right rear door edge film



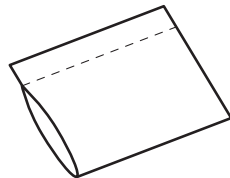
Left rear door edge film



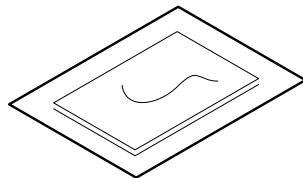
Applicator



Soft sleeve



2 Alcohol swabs



## TOOLS AND SUPPLIES REQUIRED

- Shop towel
- Spray bottle
- 3M Protective tape application solution
- Scissors

## INSTALLATION

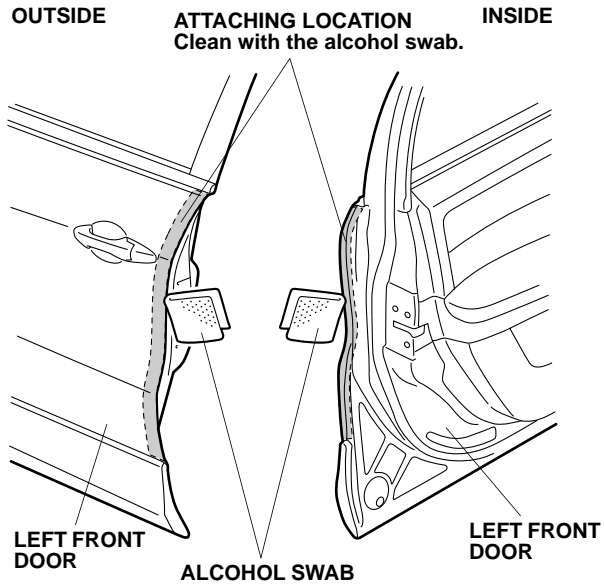
**Client Information:** The information in this installation instruction is intended for use only by skilled technicians who have the proper tools, equipment, and training to correctly and safely add equipment to your vehicle. These procedures should not be attempted by "do-it-yourselfers."

### NOTE:

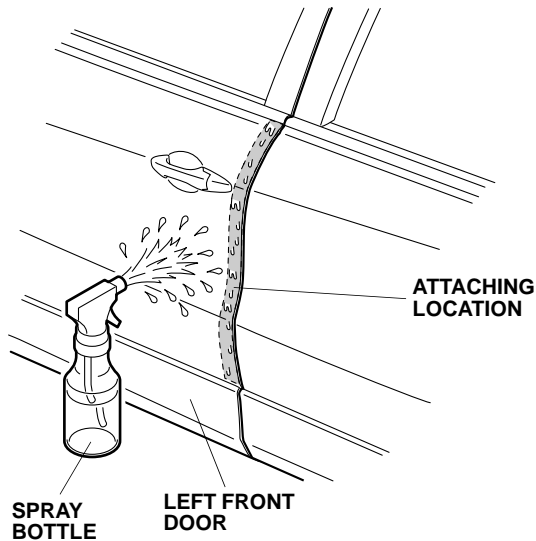
- If you are also installing body side moldings (sold separately), install them before you install the door edge films.
- These instructions show the left door edge films being installed. The same procedure applies to installing the right door edge films.
- Identify each door edge film by referring to the identification marks.
- Do not damage the body paint finish.
- The door edge films should be installed only if the ambient air temperature is 15°C (60°F) or above.
- To allow the adhesive to cure, do not wash the vehicle for 24 hours.

## Installing the Front Door Edge Films

1. Open the left front door. Use the alcohol swab to thoroughly clean the area where the left front door edge film will attach.

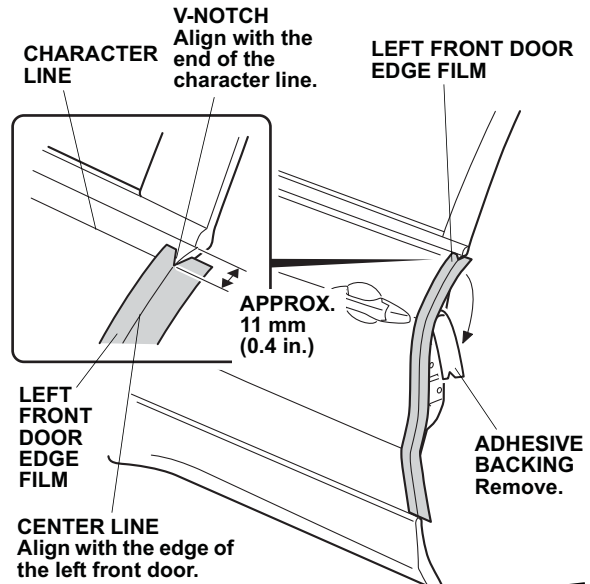


2. Close the left front door. Using a spray bottle with 3M protective tape application solution, spray the area where the left front door edge film will attach.  
NOTE: Spray only the outside surface of the left front door where the left front door edge film will attach.

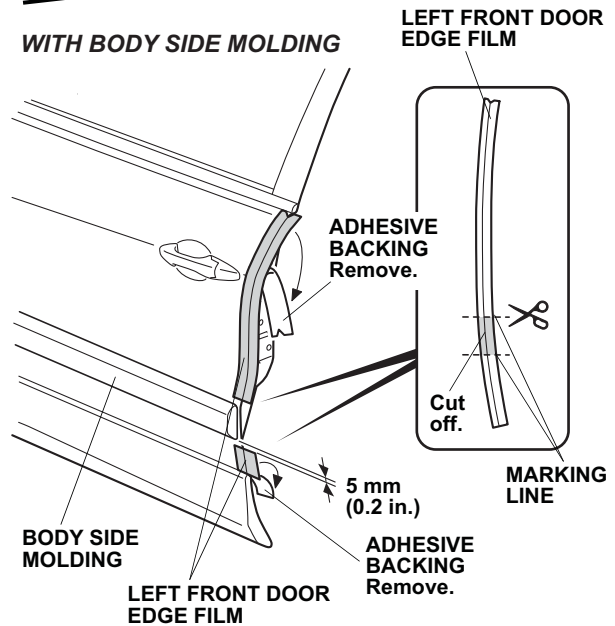


3. Open the front door. Peel back about 50 mm (2 in.) of adhesive backing from the left front door edge film. Align the V-notch with the end of the character line on the upper part of the left front door as shown. If the vehicle is equipped with body side molding, cut the front door film at the indicated line on the film. Install the cut piece of film 5 mm below the body side molding.

### WITHOUT BODY SIDE MOLDING

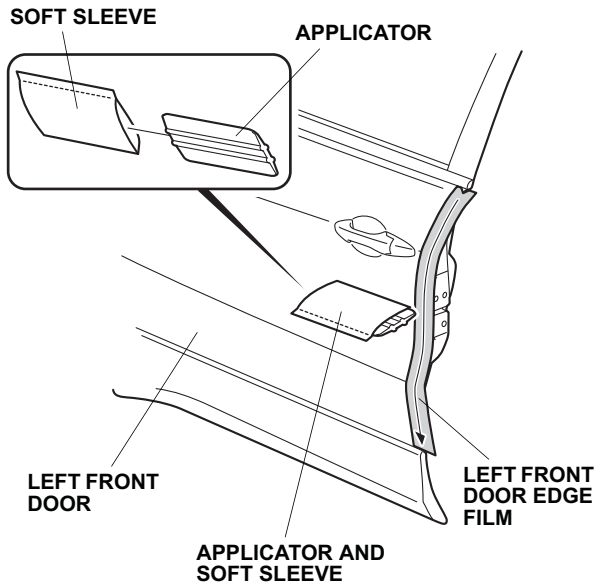


### WITH BODY SIDE MOLDING

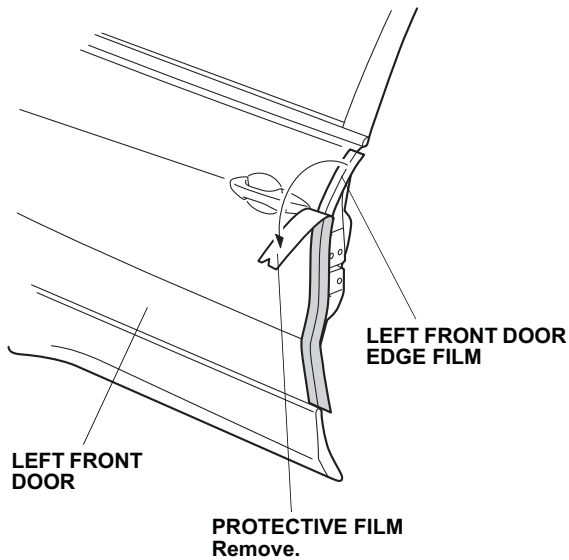


4. Align the center line on the left front door edge film with the edge of the left front door. Then, while applying light pressure, carefully remove the adhesive backing and attach the left front door edge film to the left front door.

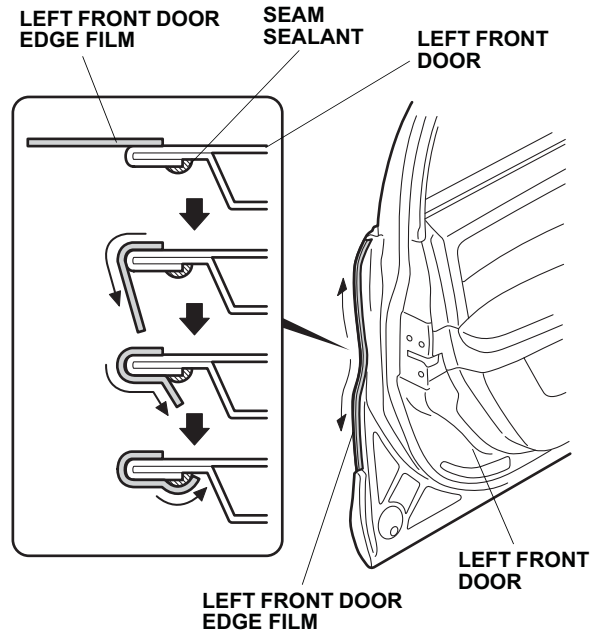
5. Insert the applicator into the soft sleeve. Starting from the top and working downward, use the soft sleeve to smooth the left front door edge film. Move the soft sleeve in one direction only.



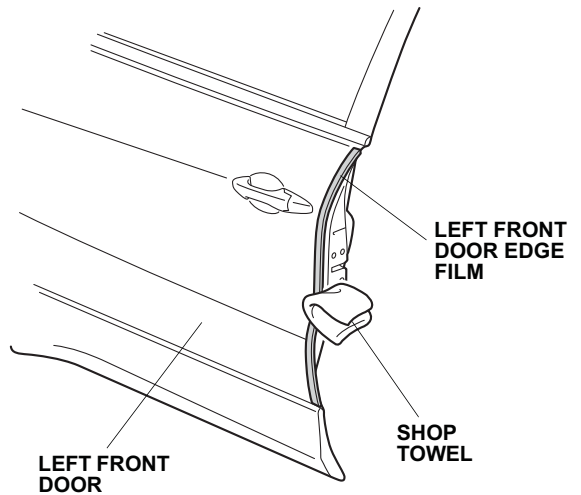
6. Slowly remove the protective film from the left front door edge film.



7. Starting from the center and working outward, fold the left front door edge film inside the left front door.

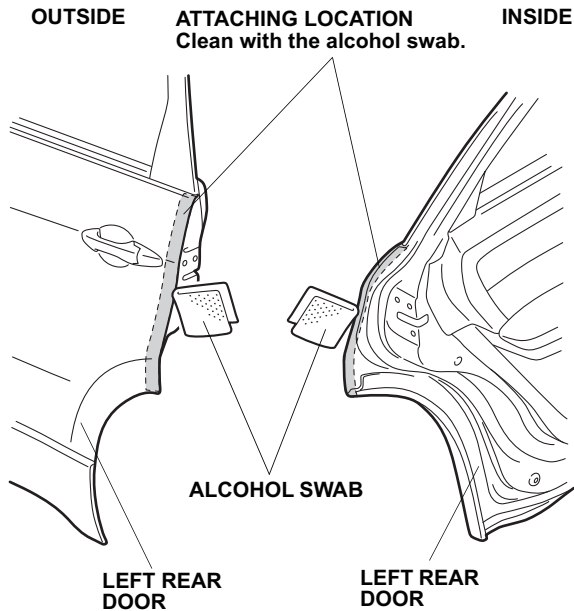


8. Using a shop towel, wipe the 3M protective tape application solution from the left front door edge film. Allow the left front door edge film to dry thoroughly.

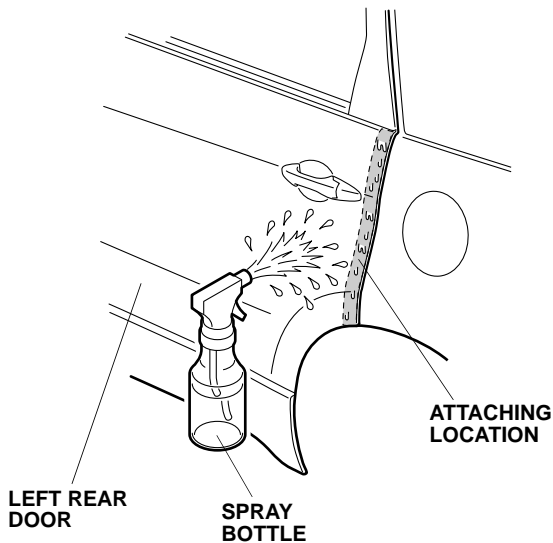


## Installing the Rear Door Edge Film

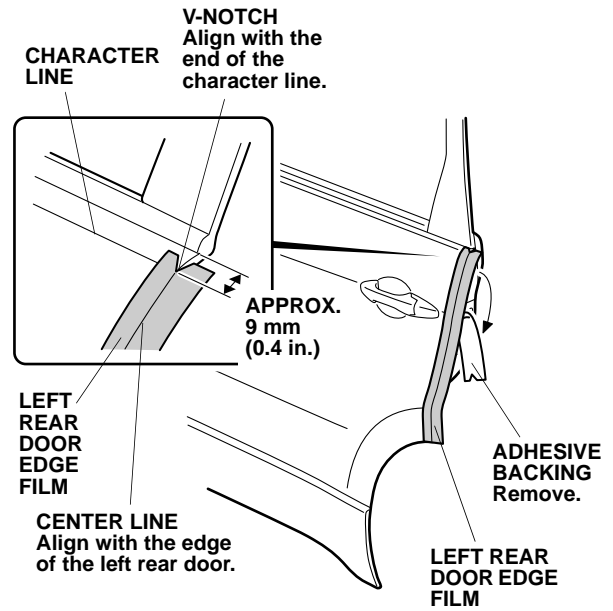
- Open the left rear door. Using the alcohol swab, thoroughly clean the area where the left rear door edge film will attach. Close the left rear door.



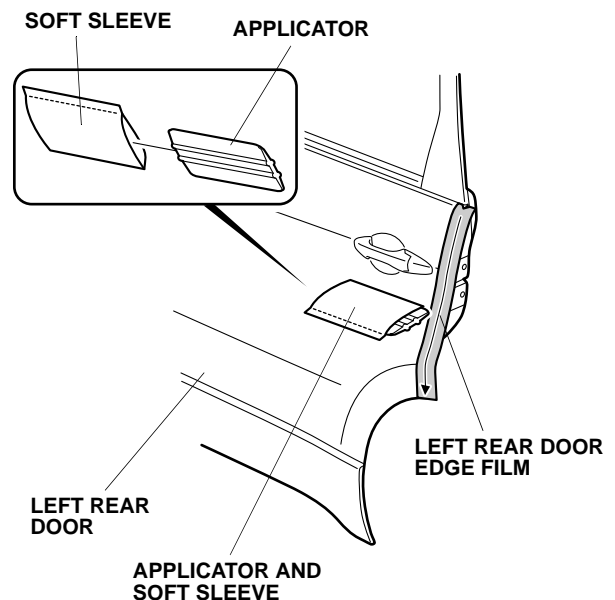
- Using a spray bottle with 3M protective tape application solution, spray the area where the left rear door edge film will attach.  
NOTE: Spray only the outside surface of the left rear door where the left rear door edge film will attach.



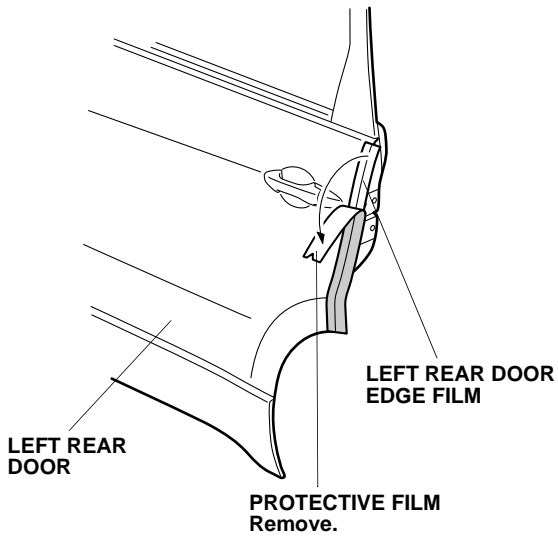
- Open the left rear door.



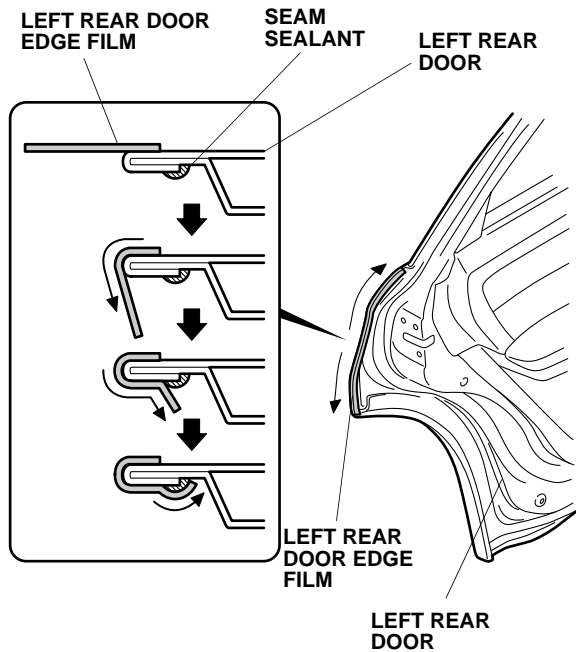
- Peel back about 50 mm (2 in.) of adhesive backing from the left rear door edge film. Align the V-notch with the end of the character line on the upper part of the left rear door as shown.
- Align the center line on the left rear door edge film with the edge of the left rear door. Then, while applying light pressure, carefully remove the adhesive backing and attach the left rear door edge film to the left rear door.
- Starting from the top and working downward, use the applicator with the soft sleeve to smooth the left rear door edge film. Move the applicator with the soft sleeve in one direction only.



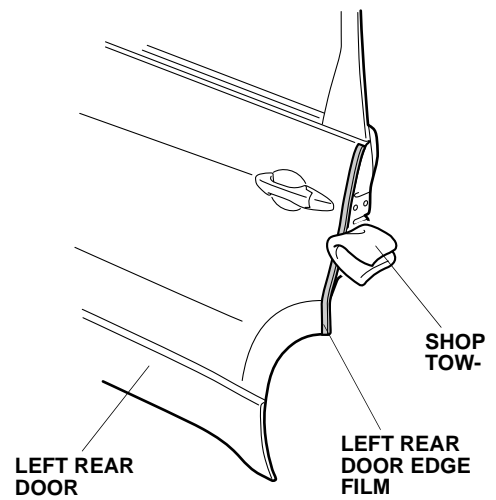
15. Slowly remove the protective film from the left rear door edge film.



16. Starting from the center and working outward, fold the left rear door edge film inside the left rear door as shown. Do not damage the door seal during the procedure.



17. Using a shop towel, wipe the 3M protective tape application solution from the left rear door edge film. Allow the left rear door edge film to dry thoroughly.



18. Repeat steps 1 through 17 to install the door edge film on the right side of the vehicle.