

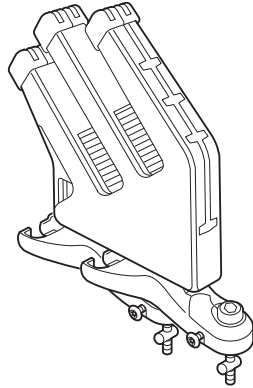


INSTALLATION INSTRUCTIONS

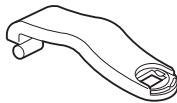
Accessory	Application	Publications No.
SNOWBOARD ATTACHMENT	2011 MDX	BII 43682
		Issue Date AUG 2010

PARTS LIST

2 Snowboard Carriers



4 Bottom clamps



16 Rubber blocks



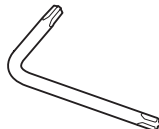
4 Board Supports



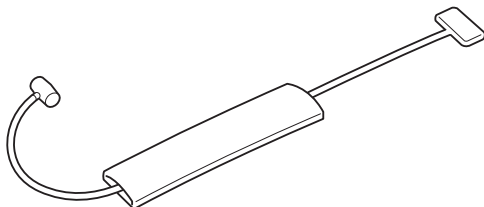
2 Keys



TORX wrench



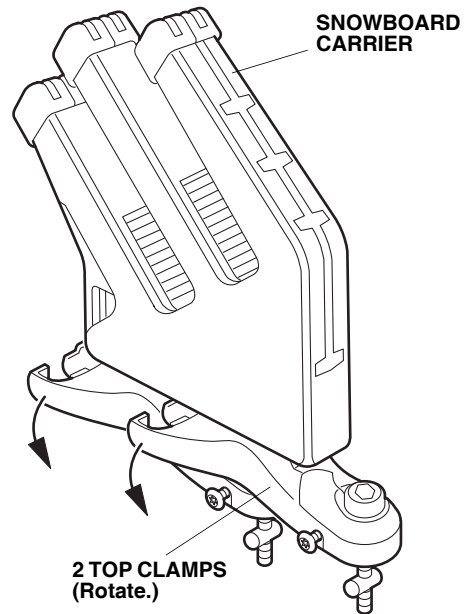
2 Locking cables



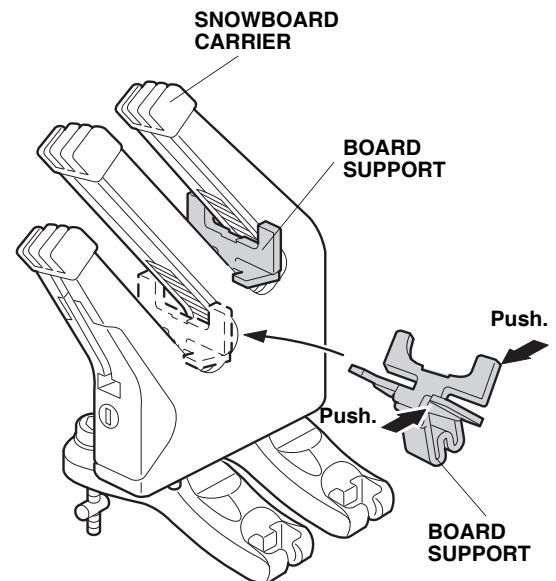
INSTALLATION

NOTE: Be careful not to damage the body paint finish.

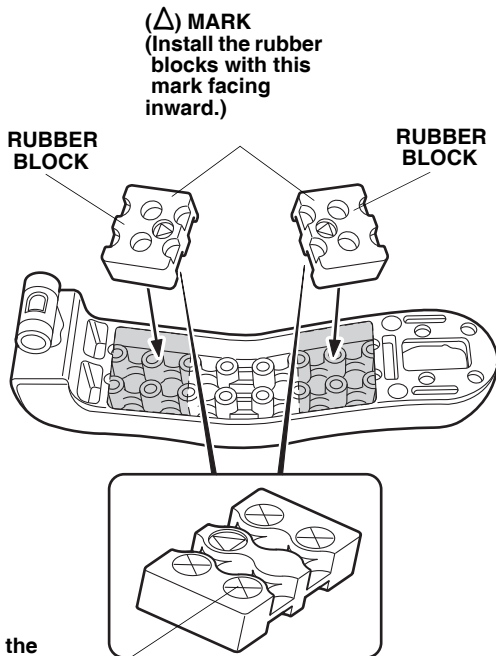
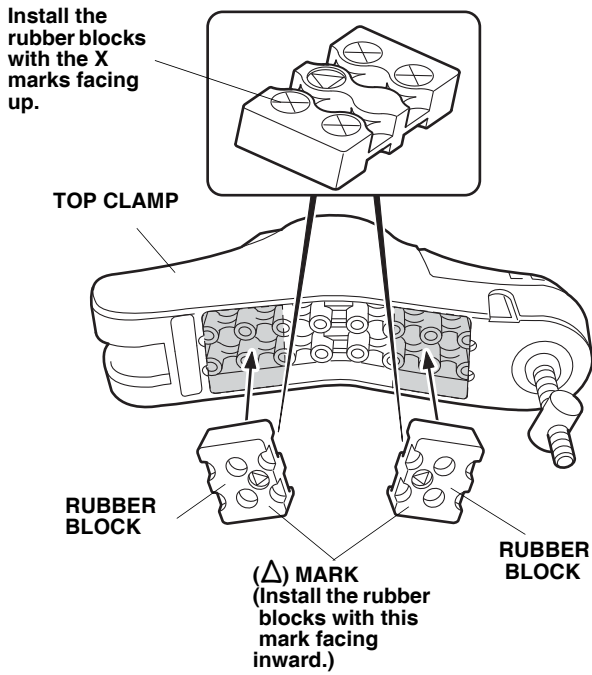
1. Rotate the two top clamps of the snowboard carrier perpendicular to the snowboard carrier.



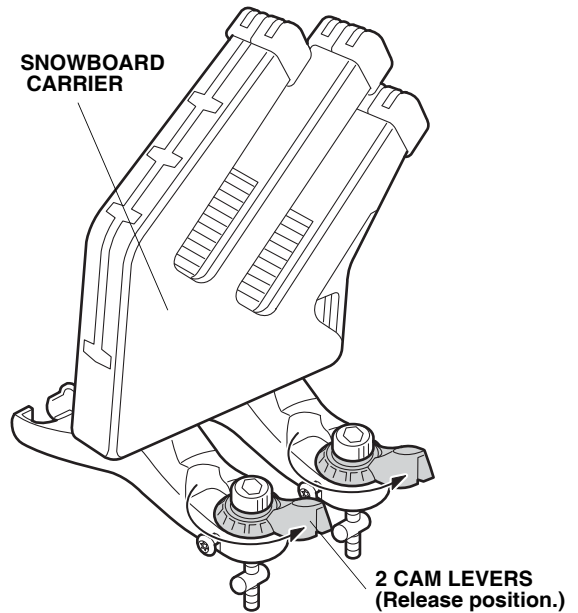
2. Install two board supports to the snowboard carrier.



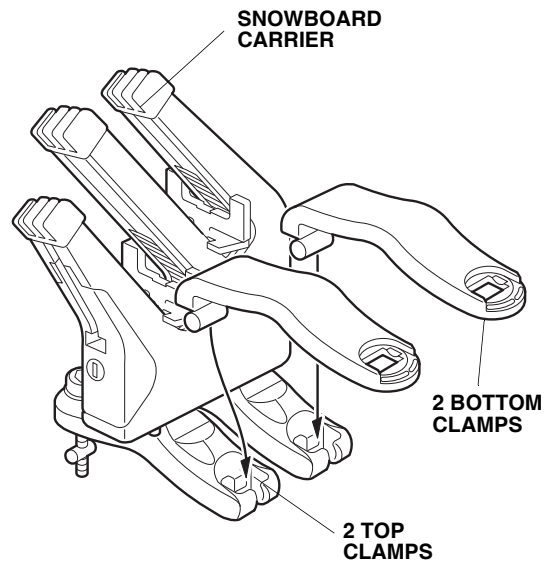
3. Install four rubber blocks on the top clamps and two bottom clamps. Install the rubber blocks with the triangular marks (Δ) facing the inside.



4. Turn the two cam levers on the top clamp counterclockwise.

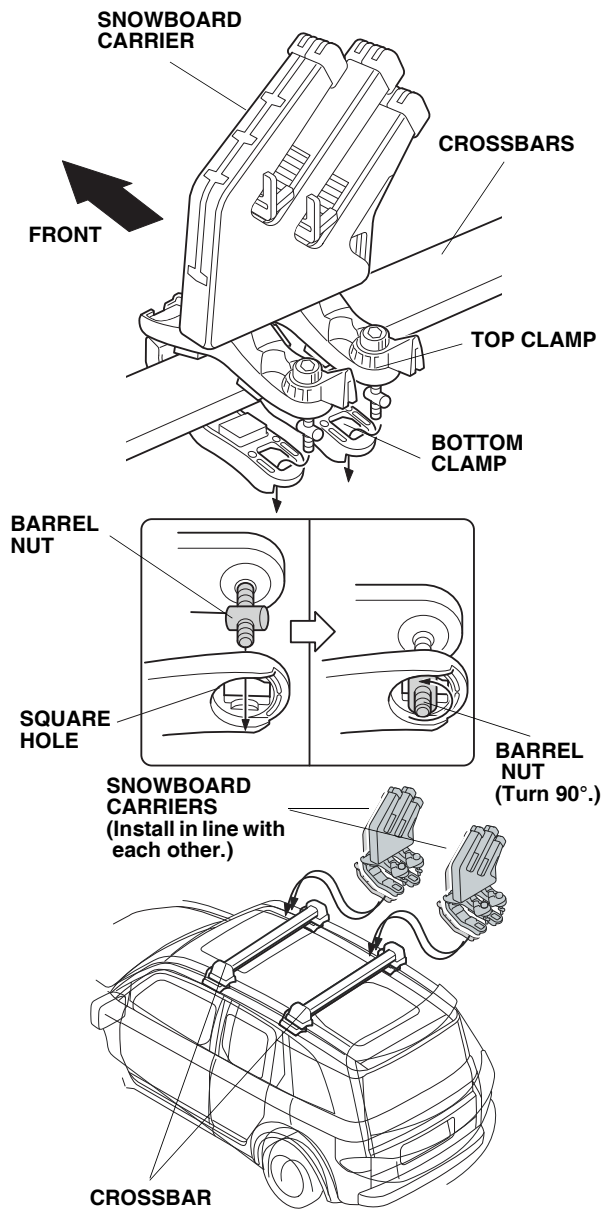


5. Attach the two bottom clamps to the top clamps.

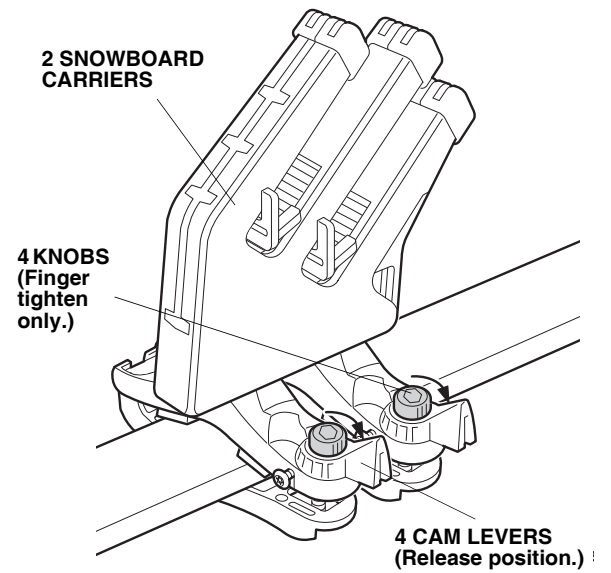


6. Repeat steps 1 thru 5 to assemble the other carrier.

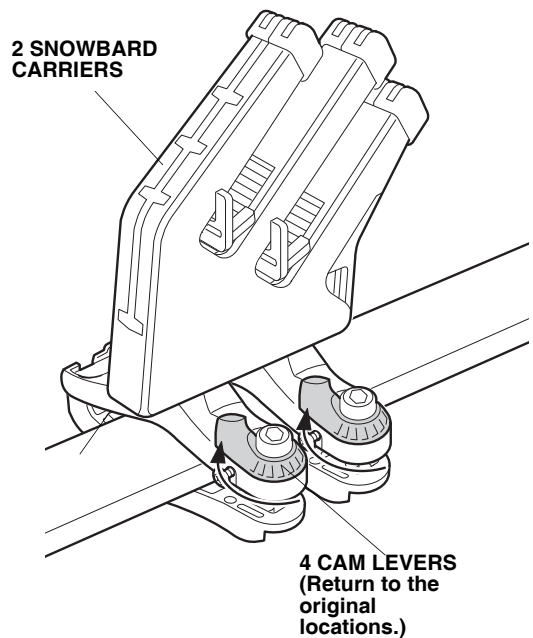
- Place the snowboard carriers on the two crossbars on the roof rack, between the top and bottom clamps as shown. Insert the four barrel nuts on the four top clamps into the four square holes in the bottom clamps, then turn the four barrel nuts 90°.



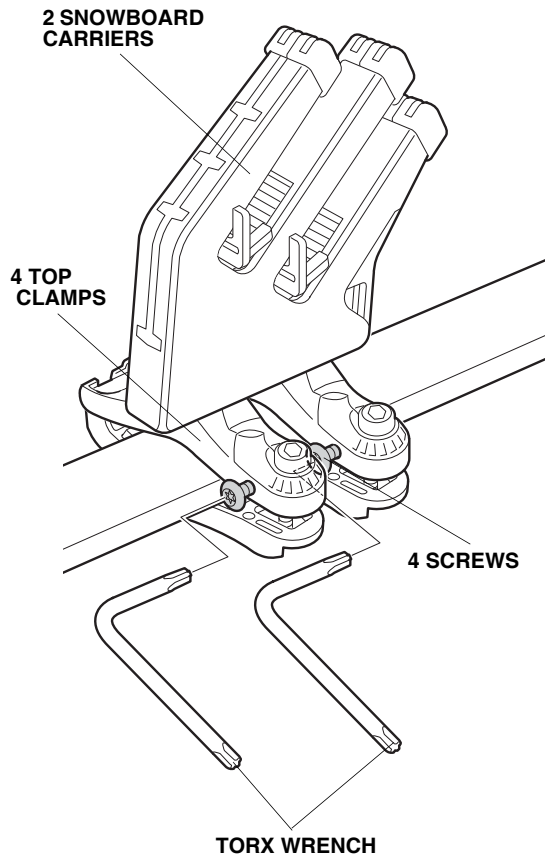
- Turn the four knobs on the four top clamps to tighten the snowboard carrier.



- Return the four cam levers to the original locations (turn clockwise).

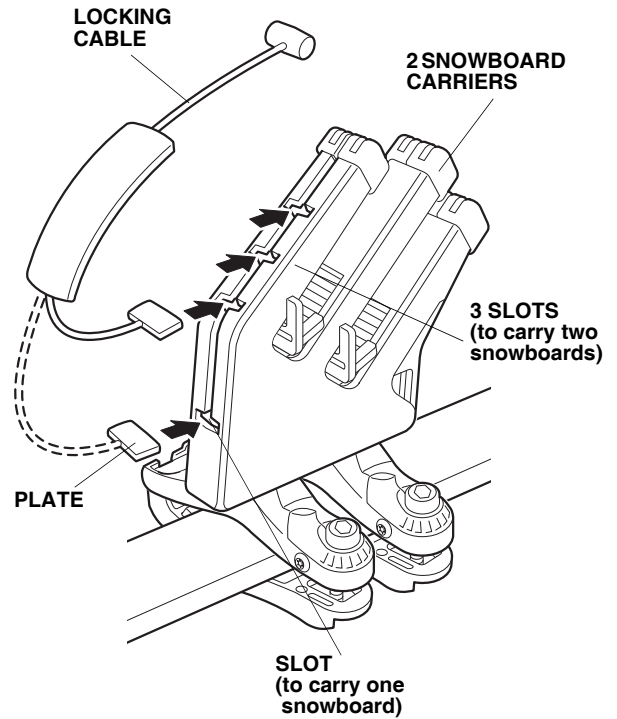


10. Tighten the four screws in the four holes to secure the four clamps.

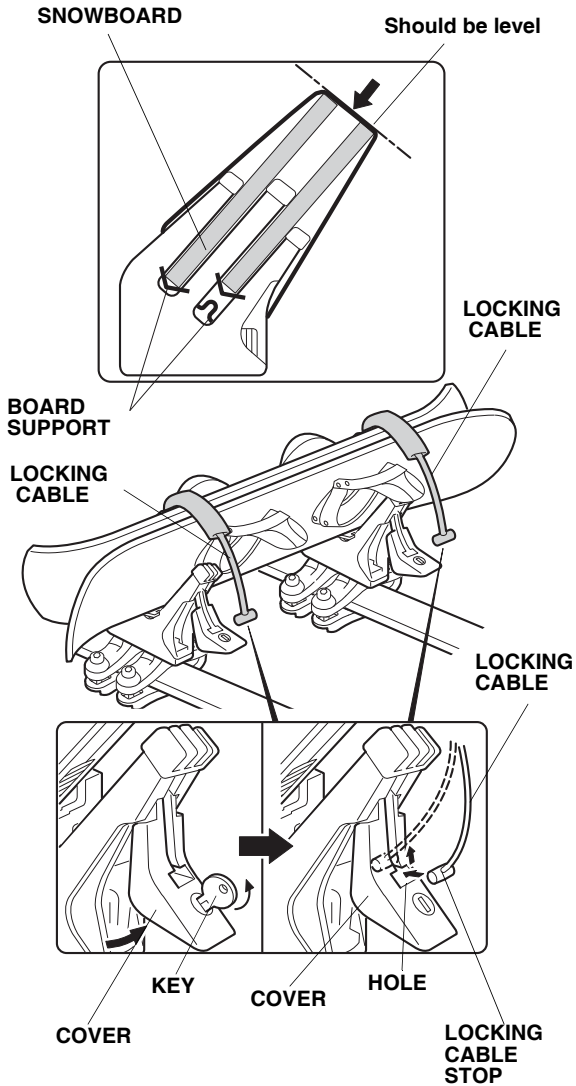


11. Try to move the two snowboard carriers and make sure they are securely installed.

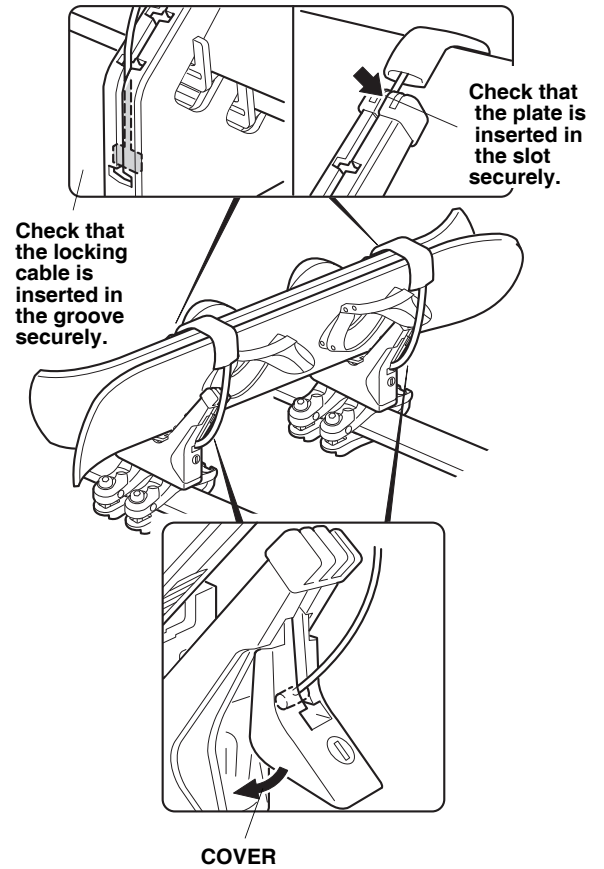
12. Insert the locking cable plates into the slots in the two snowboard carriers. To carry one snowboard, insert the plate into the lowest slot. To carry two snowboards, use one of the three slots above the lowest slot.



13. After loading the snowboard(s) on the carrier, adjust it (them) with the help of the board supports so that the top edges are level and the boards are as far down in the carrier as possible. To secure the snowboard(s), use the key to open the covers, then insert the locking cable stops into the holes of the carrier covers.



14. Check that the locking cables are installed securely, then close the covers.



15. Lock the covers with the key before driving.

