



# INSTALLATION INSTRUCTIONS

Accessory  
**CARGO NET**  
P/N 08L96-STX-200

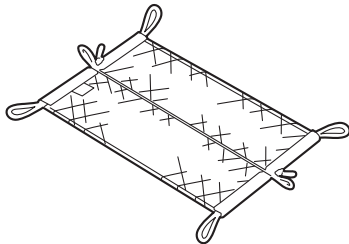
Application  
**2011 MDX**

Publications No.  
**BII 43662**  
Issue Date  
**AUG 2010**

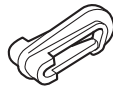
Put this information in the glove box with the vehicle owner's manual.

## PARTS LIST

Cargo net



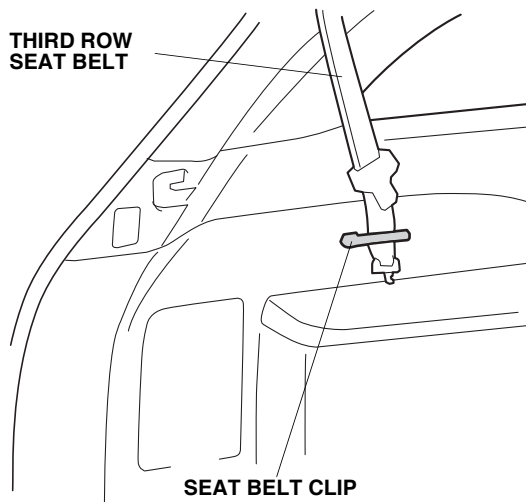
4 Hooks



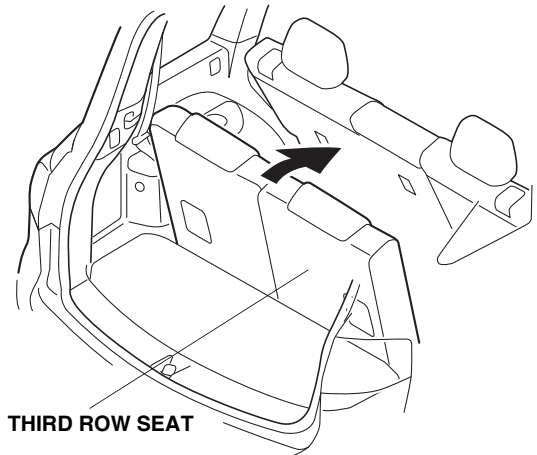
## INSTALLATION

### Installing the Cargo Net Behind the Second Seat

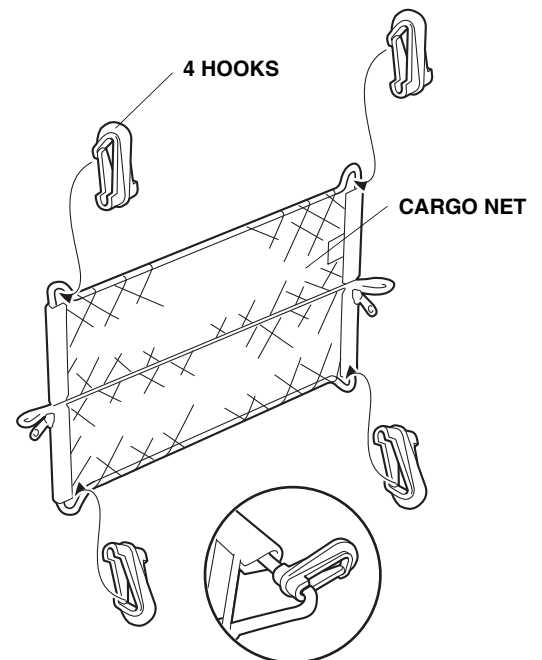
1. Attach the third row seat belt to the seat belt clip.



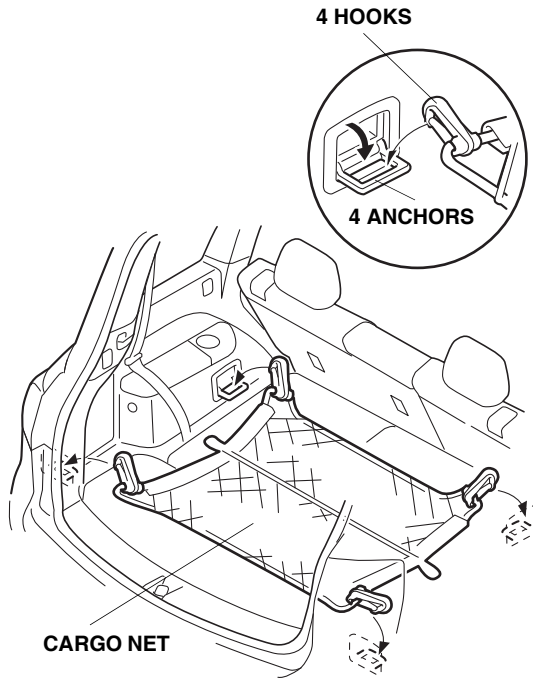
2. Fold down both third row seats.



3. Attach the four hooks onto the four loops of the cargo net in the area shown.

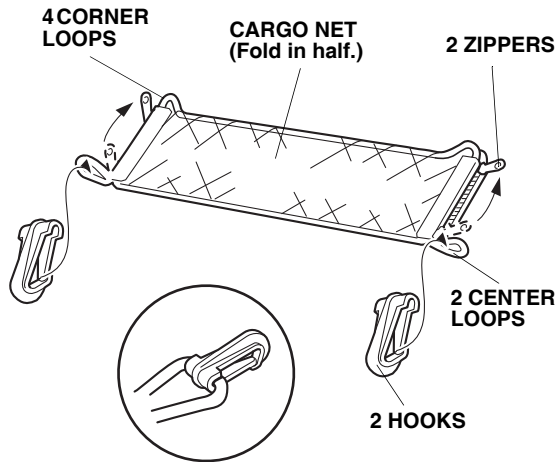


- Attach the four cargo net hooks to the four anchors in the cargo area.

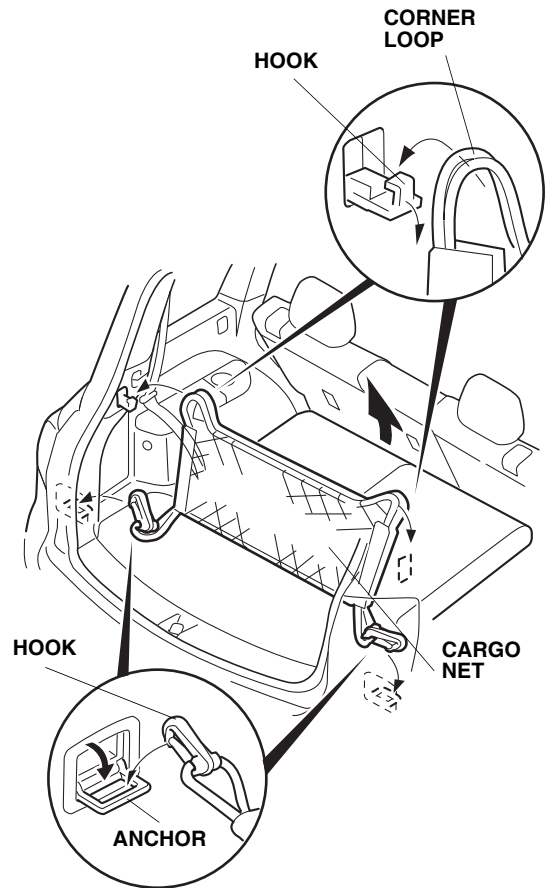


#### Installing the Cargo Net Behind the Third Seat

- Fold the cargo net in half and zip the zippers, then attach the two hooks onto the center loops of the cargo net in the areas shown.



- Attach the hooks to the two anchors in the floor, and attach the corner loops to the hooks on the rear side lining.



- Put these instructions and the remaining two hooks (if necessary) in the glove box for your client.

#### USE OF THE CARGO NET

- Some luggage stored in the cargo net may interfere with the tailgate when it is closed. To prevent damage to the cargo net, do not store large fragile articles in the cargo net.
- Before storing articles that have sharp edges or corners, wrap them with paper or in a blanket so their sharp edges or corners will not contact the cargo net directly.