



# INSTALLATION INSTRUCTIONS

Accessory  
**REAR SPLASH GUARDS**  
P/N 08P09-SZN-200

Application  
**2010 ZDX**

Publications No.  
**BII 42770**  
Issue Date  
**DEC 2009**

## PARTS LIST

Left rear splash guard



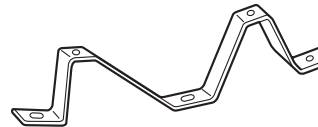
Right rear splash guard



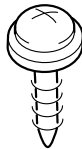
Left bracket



Right bracket



4 Self-tapping screws, 5 x 20 mm



2 Clips



## TOOLS AND SUPPLIES REQUIRED

Phillips screwdriver

Stubby phillips screwdriver

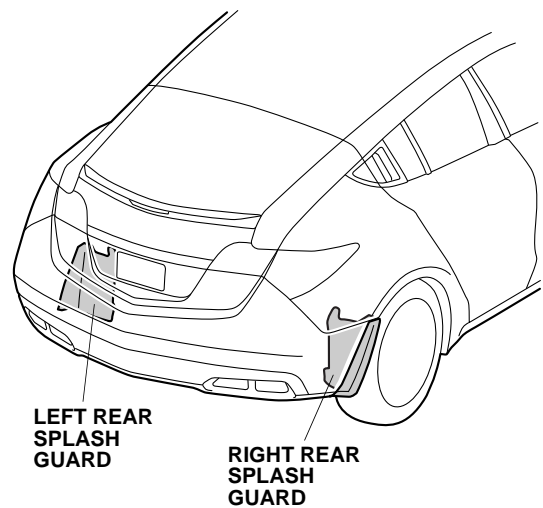
Ratchet

10 mm Socket

Plastic Trim Tool

T/N SILTRIMTL10

### *Illustration of the Rear Splash Guards on the Vehicle*

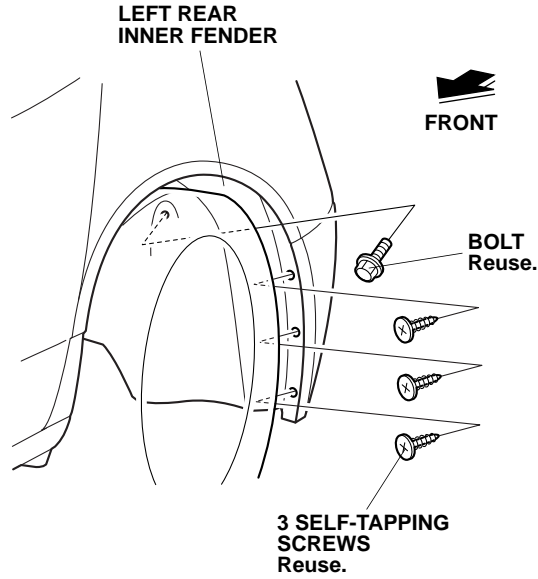


## INSTALLATION

**Client Information:** The information in this installation instruction is intended for use only by skilled technicians who have the proper tools, equipment, and training to correctly and safely add equipment to your vehicle. These procedures should not be attempted by "do-it-yourselfers."

NOTE: Do not damage the body paint finish.

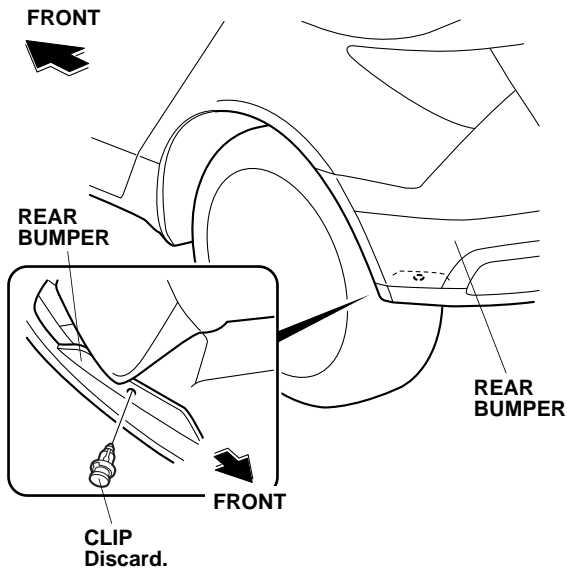
1. Remove three self-tapping screws and one bolt.



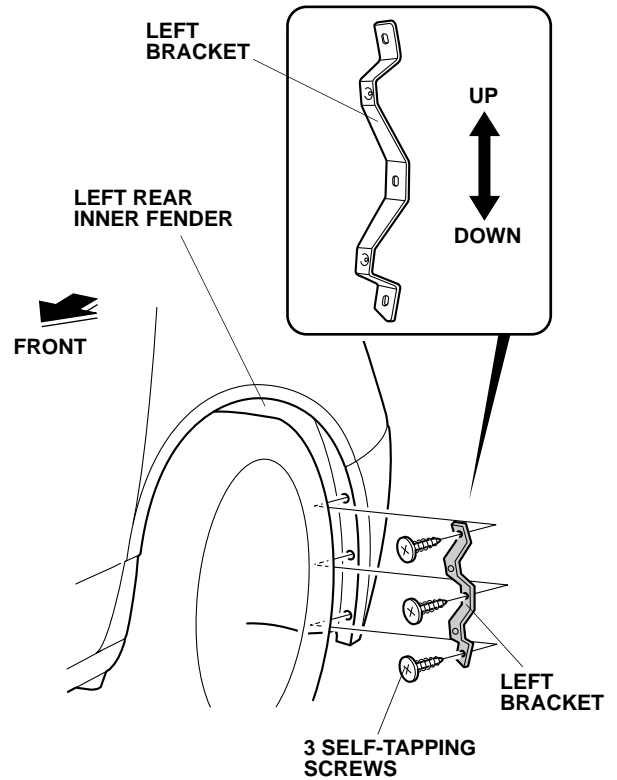
If the vehicle is equipped with BSI, go to step 2; if not, go to step 3.

With BSI

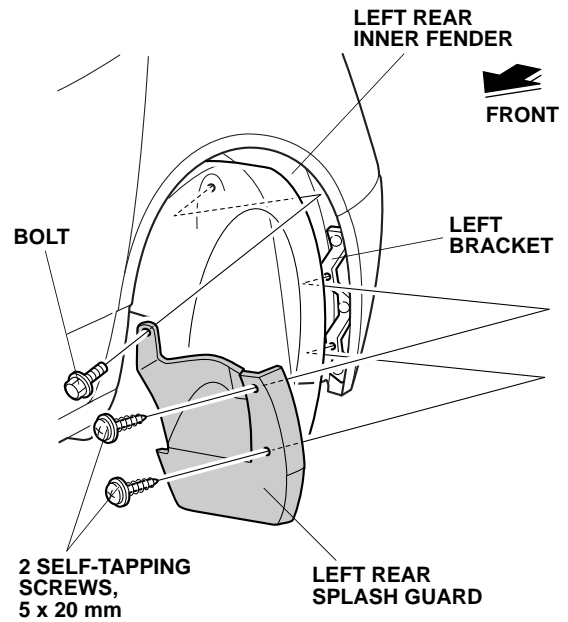
2. Remove one clip from the rear bumper.



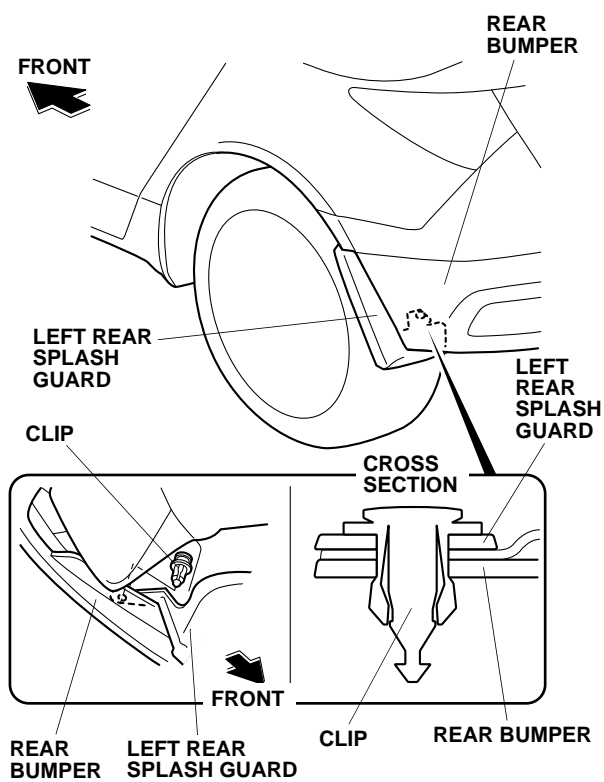
3. Install the left bracket to the left rear inner fender with three self-tapping screws removed in step 1.



4. Install the left rear splash guard to the left rear inner fender and left bracket with two 5 x 20 mm self-tapping screws and the bolt removed in step 1.



5. Secure the left rear splash guard to the rear bumper with one clip.



6. Repeat steps 1 through 5 on the right side of the vehicle.