



# INSTALLATION INSTRUCTIONS

Accessory

**SELECT KNOB**  
P/N 08U92-TL2-210

Application

2010 TSX

Publications No.

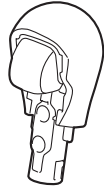
**BII 41547**

Issue Date

**MAY 2009**

## PARTS LIST

Select knob



2 Screws



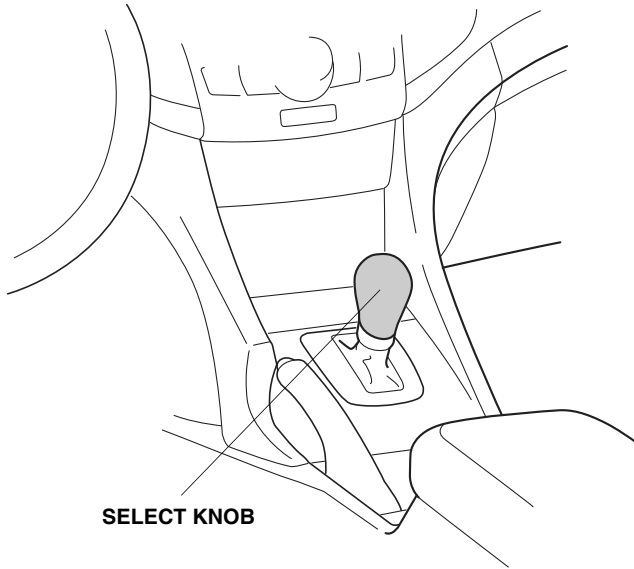
## TOOLS AND SUPPLIES REQUIRED

Phillips screwdriver

TORX screwdriver (T/N: CDI 401 SM)

(Available through the American Honda Tool and Equipment Program; call 888-424-6857)

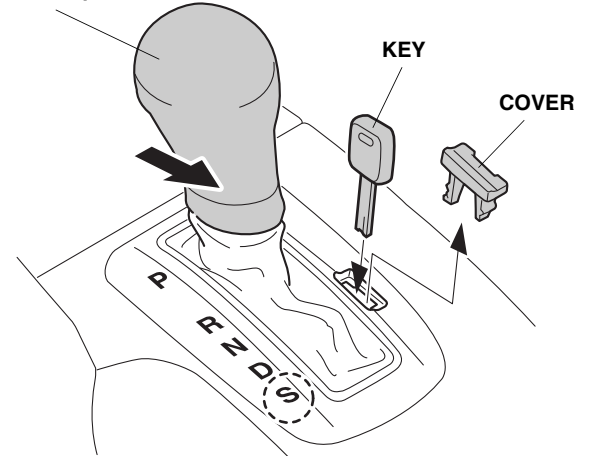
### *Illustration of the Select Knob Installed on the Vehicle*



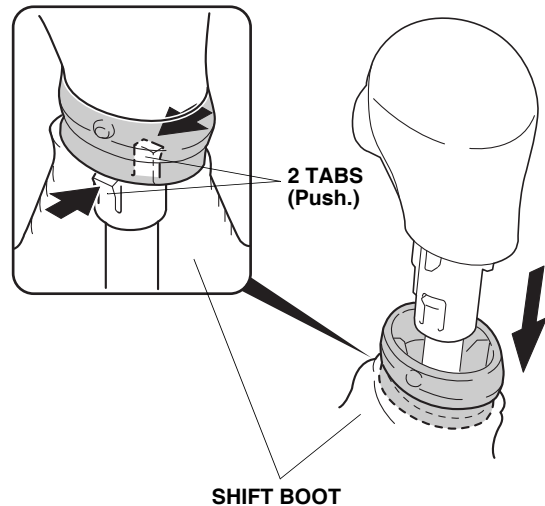
## INSTALLATION

1. Remove the cover and insert the key into the opening, push on the key, and move the shift lever to the S position.

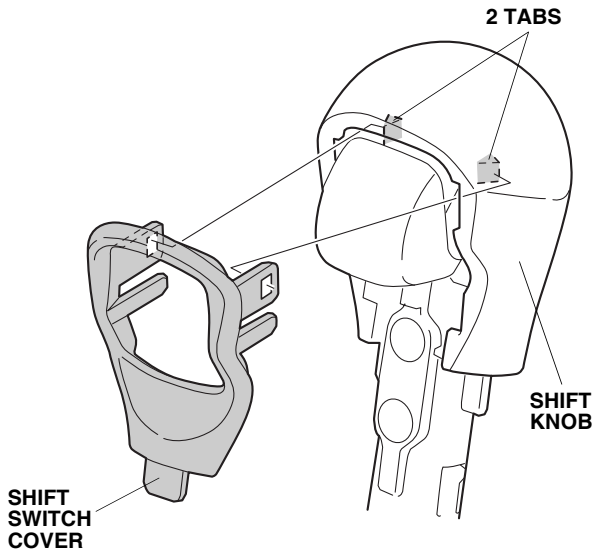
**SHIFT KNOB**  
Move to the S position.



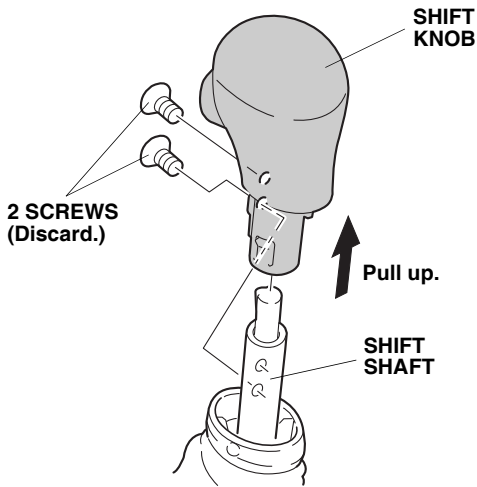
2. Lower the shift boot by pushing the two tabs in the positions shown.



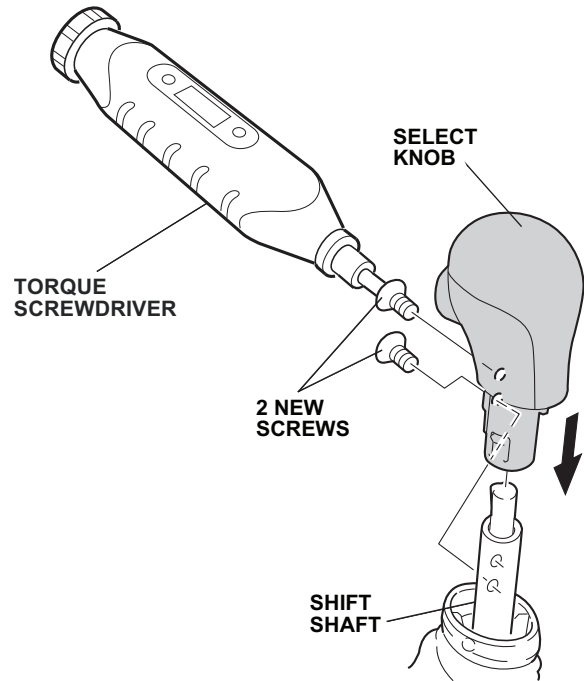
3. Pry out on the shift switch cover and remove the cover.



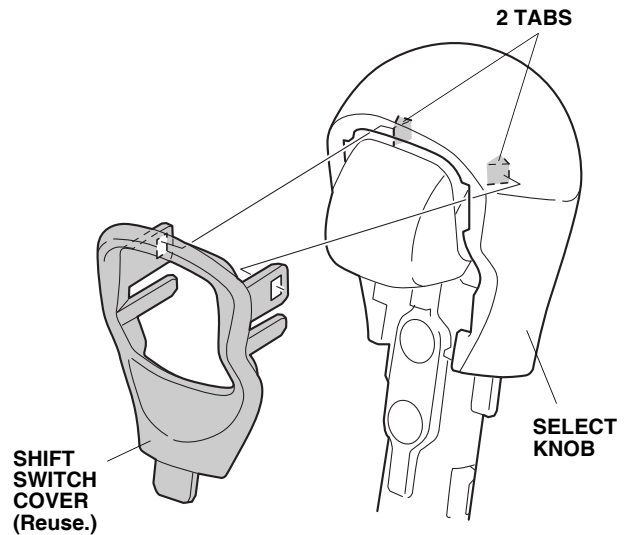
4. Remove the two screws from shift knob, and remove the shift knob by pulling it up.



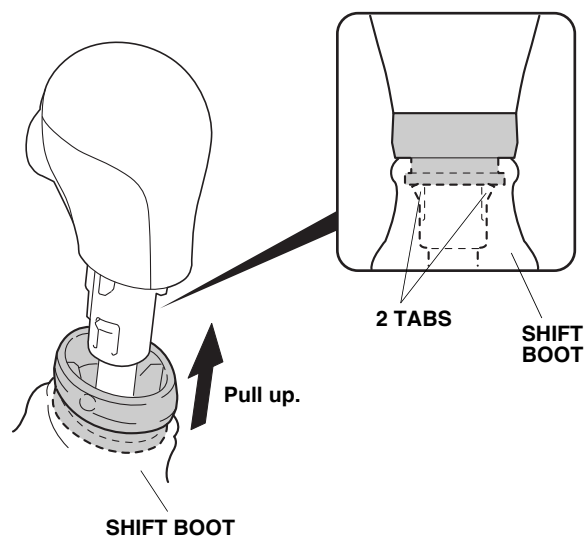
5. Install the select knob using the two new screws. Using a TORX screwdriver, torque the screws to 1.57 N·m (14 lb-in) Do not overtighten the screws.



6. Reinstall the shift switch cover on the select knob.



7. Pull up the shift boot to seat it in its normal position.



#### USE AND CARE

- Use a sponge or cloth and a solution of mild liquid dishwashing soap and water to clean the select knob, then dry it with a shop towel.
- Never use organic solvents such as benzene, thinner, or gasoline to clean the select knob.