

INSTALLATION INSTRUCTIONS

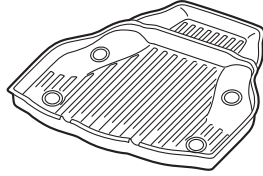
Accessory
TRUNK TRAY
 P/N 08U45-TK4-200

Application
2010 TL

Publications No.
BII 42544
 Issue Date
AUG 2009

PARTS LIST

Trunk tray

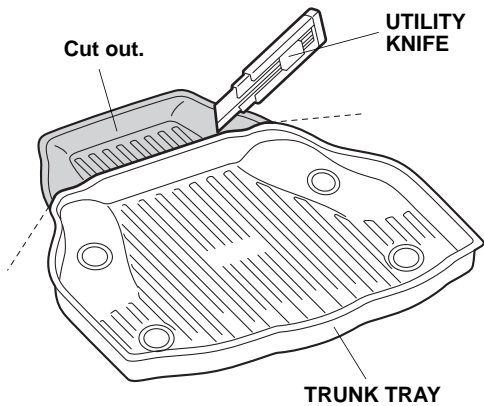


TOOLS AND SUPPLIES REQUIRED

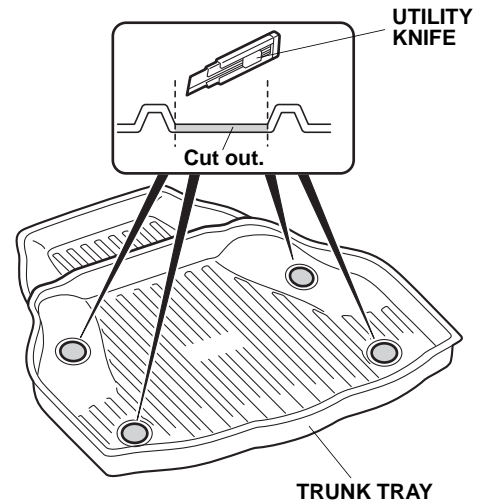
Utility knife

INSTALLATION

1. On AWD models, cut out the marked area from the trunk tray with a utility knife.



2. If the vehicle is equipped with a cargo net, cut out the four marked areas from the trunk tray with a utility knife.



3. Open the trunk lid, and install the trunk tray in the trunk floor.

