



INSTALLATION INSTRUCTIONS

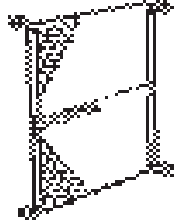
Accessory
CARGO NET
P/N 08L96-TK4-200A

Application
2010 TL

Publications No.
BII 42524
Issue Date
AUG 2009

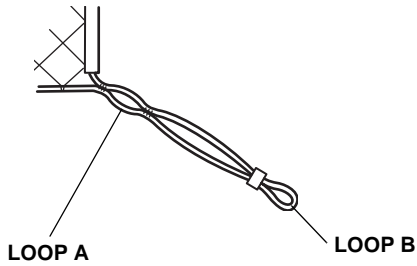
PARTS LIST

Cargo Net

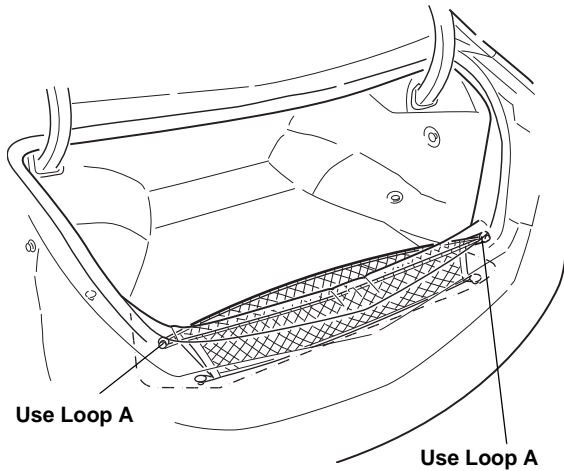


INSTALLATION

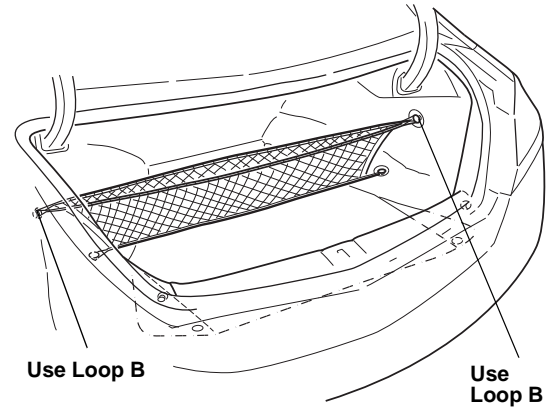
The cargo net can be installed in three positions. Identify the two loops before installing.



Rear Vertical Position:



Forward Vertical Position:



Horizontal Position:

