



INSTALLATION INSTRUCTIONS

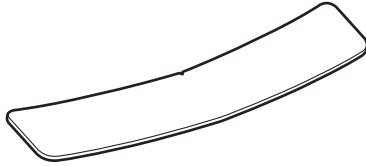
Accessory
REAR BUMPER APPLIQUE
P/N 08P48-SJA-200

Application
2010 RL

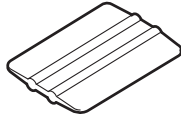
Publications No.
BII 41774
Issue Date
JUNE 2009

PARTS LIST

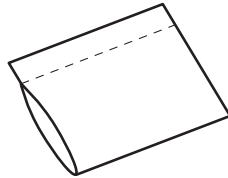
Rear bumper applique



Applicator



Soft sleeve



TOOLS AND SUPPLIES REQUIRED

Isopropyl alcohol

Shop towel

Lint-free shop towel

Masking tape

Spray bottle

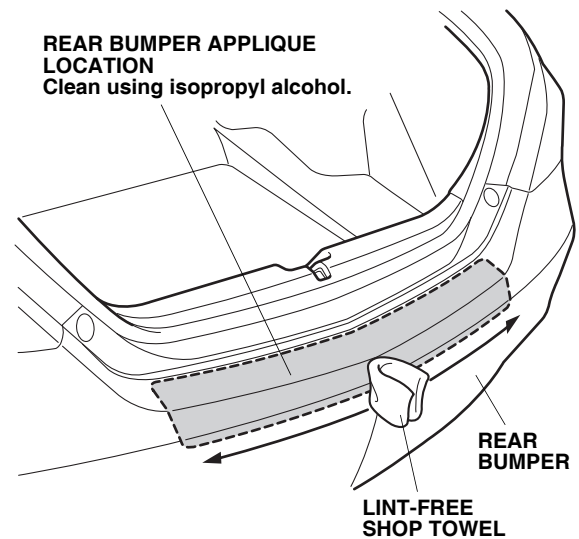
3M Protective tape application solution

INSTALLATION

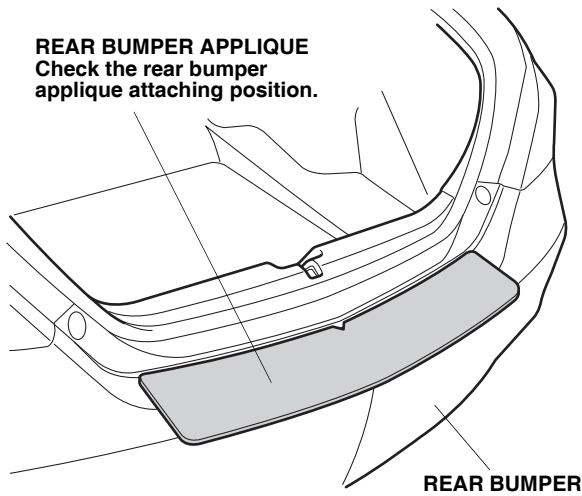
NOTE:

- Be careful not to damage the rear bumper and other finished surfaces of the body.
- The rear bumper applique should be installed only if the ambient air temperature is 15°C (60°F) or above.
- To allow the adhesive to cure, do not wash the vehicle for 24 hours.

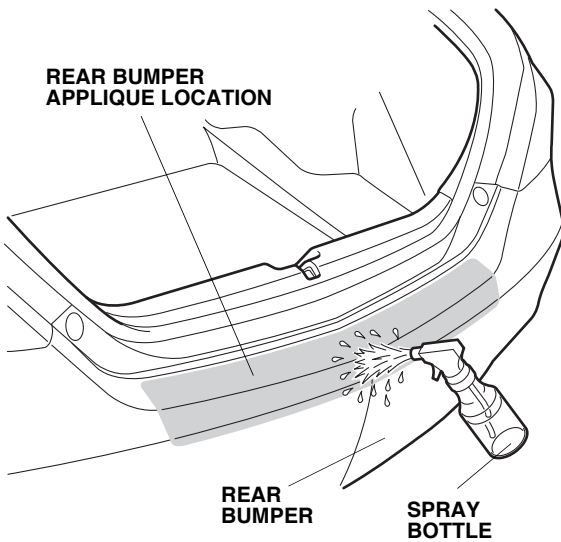
1. Using isopropyl alcohol on a lint-free shop towel, clean the rear bumper where the rear bumper applique will attach.



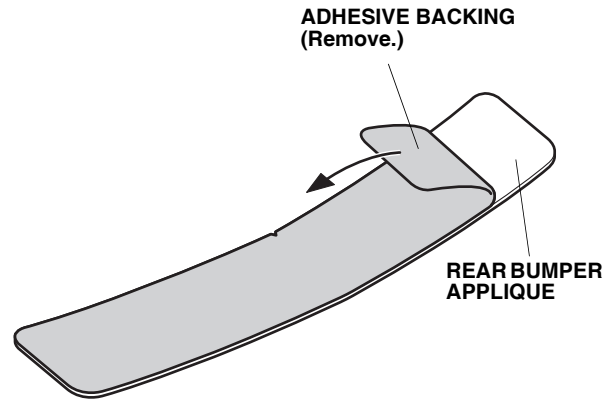
- Align the rear bumper applique to the rear bumper, and check the rear bumper applique attaching position.
- Remove the rear bumper applique.



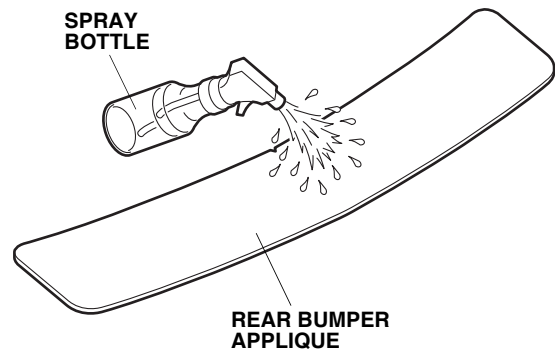
- Using a spray bottle with 3M protective tape application solution, spray the rear bumper where the rear bumper applique will attach.



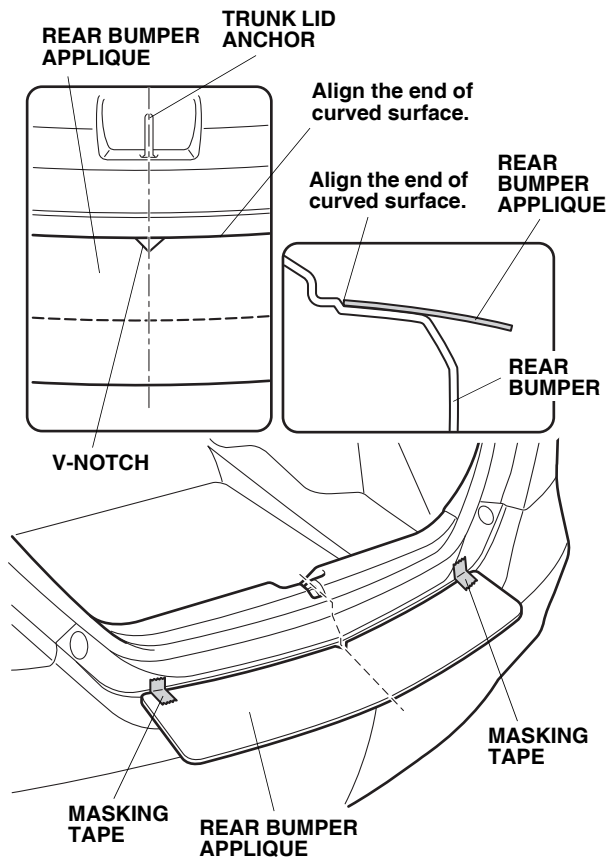
- Remove the adhesive backing from the rear bumper applique.



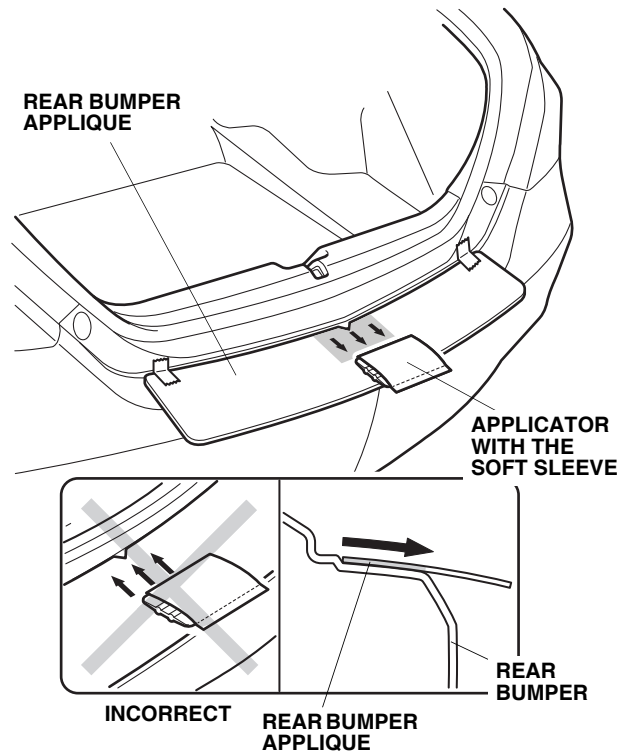
- Using a spray bottle with 3M protective tape application solution, spray the rear bumper applique.



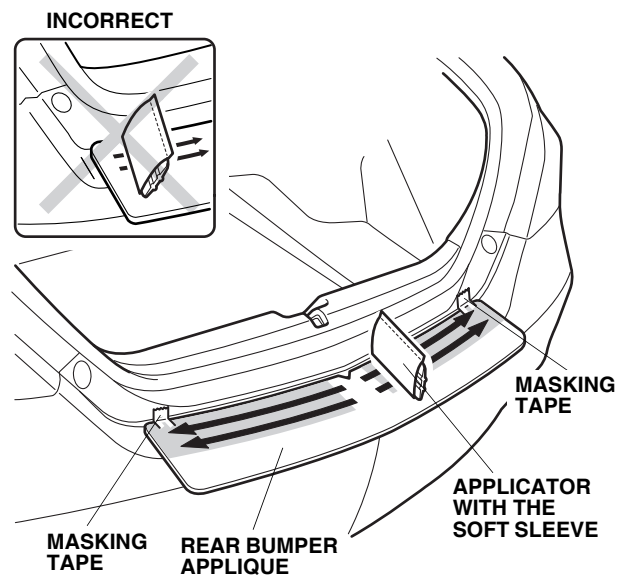
7. Position the rear bumper applique on the rear bumper. Avoid touching the adhesive with your fingers.
8. Align the V-notch of the rear bumper applique with the middle of the trunk lid anchor, and apply the applique to the bumper. Smooth the rear bumper applique along the rear bumper, and use masking tape to tape each end at the curved surface.



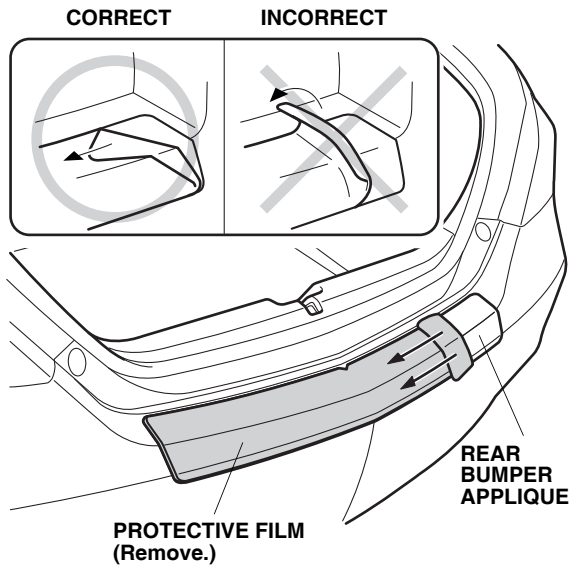
9. Insert the applicator into the soft sleeve.
10. Using the applicator with the soft sleeve, apply pressure to smooth out the top surface at the center of the rear bumper applique using downward strokes. Do not push with the applicator with the soft sleeve.



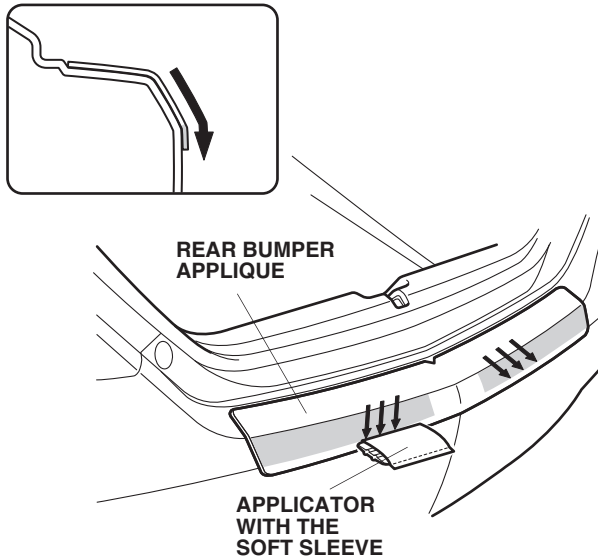
11. Starting from the middle and working outward, use the applicator with the soft sleeve to smooth the rear bumper applique. Move the applicator with the soft sleeve in one direction only.
12. Remove the masking tape from the rear bumper.



13. Remove the protective film from the top surface of the rear bumper applique. Remove the protective film slowly, taking care not to pull up the protective film.



14. Once the flat surface is completely smooth with no bubbles, use the applicator with the soft sleeve to apply the rear bumper applique to the round rear edge at the middle as shown.



15. Use a shop towel to rub across and down on the rear round edge. Allow the rear bumper applique to dry thoroughly.

