



# INSTALLATION INSTRUCTIONS

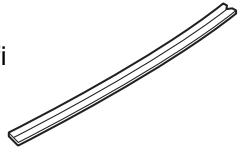
Accessory  
DOOR EDGE FILMS  
P/N 08P20-SJA-200

Application  
2010 RL

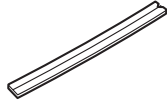
Publications No.  
BII 41769  
Issue Date  
JUNE 2009

## PARTS LIST

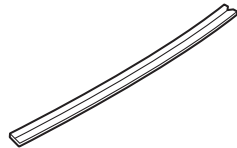
Right front door edge upper fi



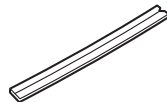
Right front door edge lower film



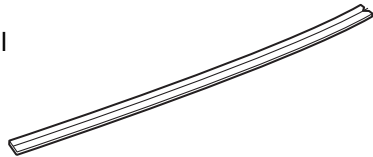
Left front door edge upper film



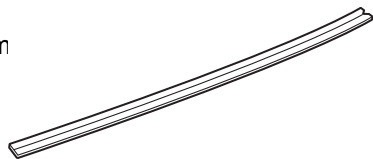
Left front door edge lower film



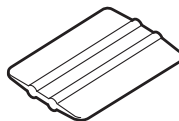
Right rear door edge fil



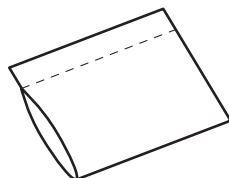
Left rear door edge film



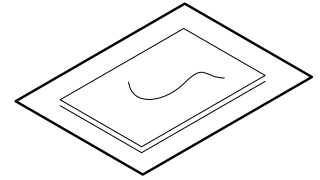
Applicator



Soft sleeve



2 Alcohol swabs



## TOOLS AND SUPPLIES REQUIRED

- Shop towel
- Lint-free shop towel
- Spray bottle
- 3M Protective tape application solution

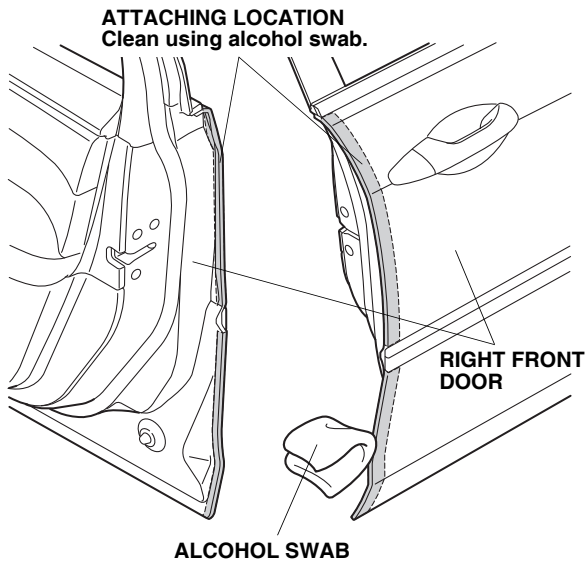
## INSTALLATION

### NOTE:

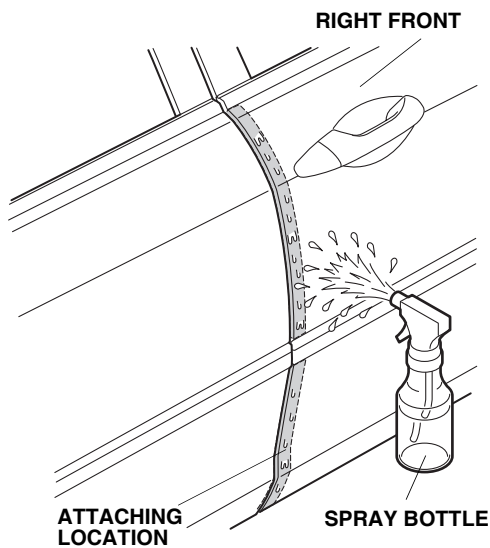
- These instructions show the right door edge films being installed. The same procedure applies to installing the left door edge films.
- Identify each door edge film by referring to the identification marks.
- Be careful not to damage the body paint finish.
- The door edge films should be installed only if the ambient air temperature is 15°C (60°F) or above.
- To allow the adhesive to cure, do not wash the vehicle for 24 hours.

## Installing the Front Door Upper Edge Films

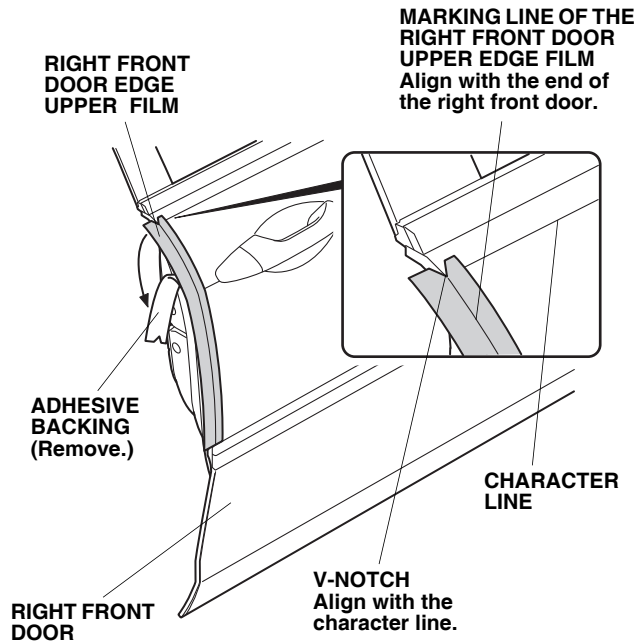
1. Open the right front door. Using an alcohol swab, thoroughly clean the area where the right front door edge films.



2. Close the right front door. Using a spray bottle with 3M protective tape application solution, spray the area where the right front door edge films will attach.  
**NOTE:** Do not spray inside the door where the door edge films will attach.

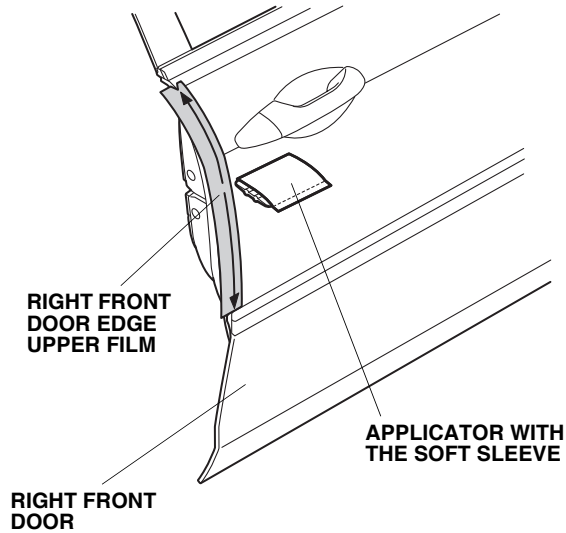


3. Open the right front door again. Peel back about 50 mm (2 in.) of adhesive backing from the right front door upper edge film. Align the V-notch in the right front door edge upper film with the end of the character line on the upper part of the right front door.

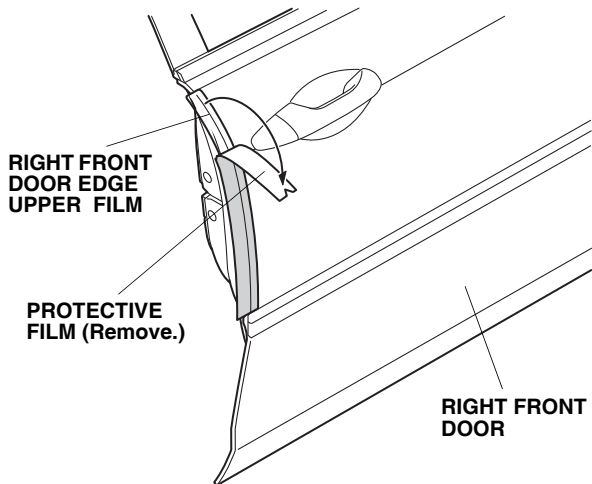


4. Continue to remove the adhesive backing while you align the center line on the door edge film with the edge of the door.

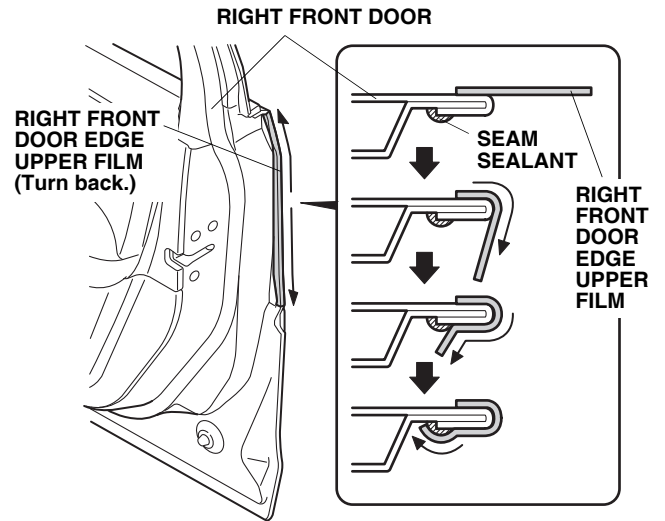
5. Insert the applicator into the soft sleeve. Starting in the middle of the door edge film and working outward, use the applicator with the soft sleeve to smooth out any bubbles from the film. To avoid lifting the film, move the applicator in only one direction.



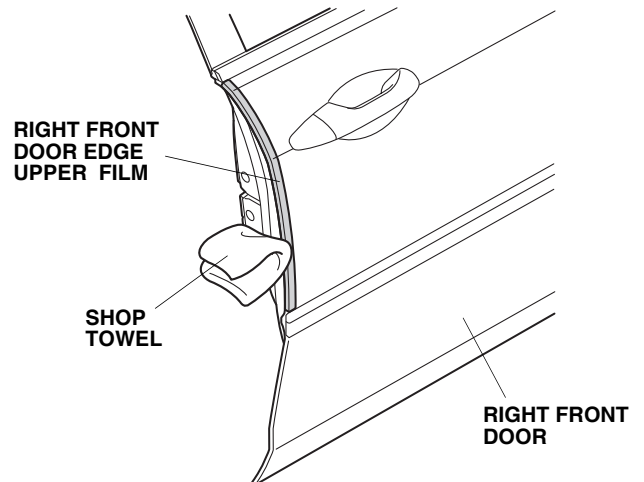
6. When you are satisfied that the door film is firmly attached to the edge of the door, slowly remove the outer protective film.



7. Starting from the middle and working outward, turn back the right front door upper edge film half to the cabin side of the right front door as shown. Move your fingers in one direction only. Take care not to damage the door seal during operation.

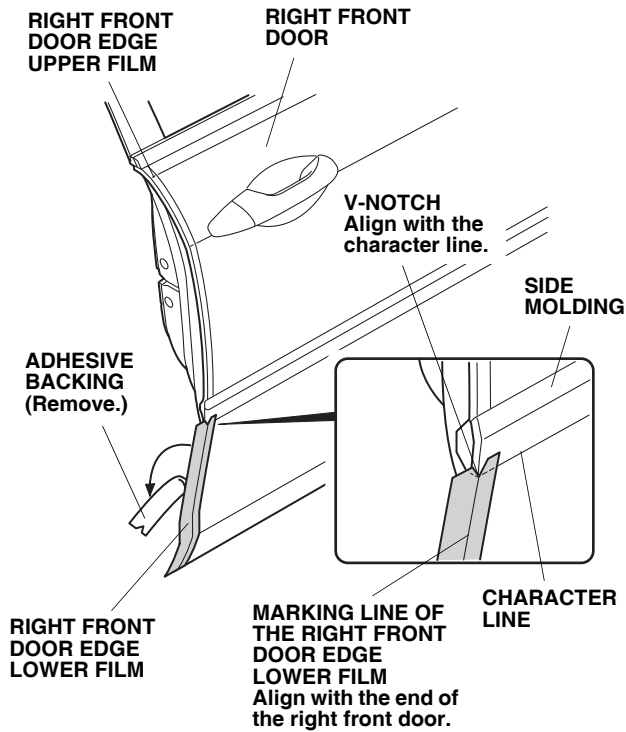


8. Wipe up water from the right front door upper edge film using a shop towel. Allow the right front door upper edge film to dry thoroughly.



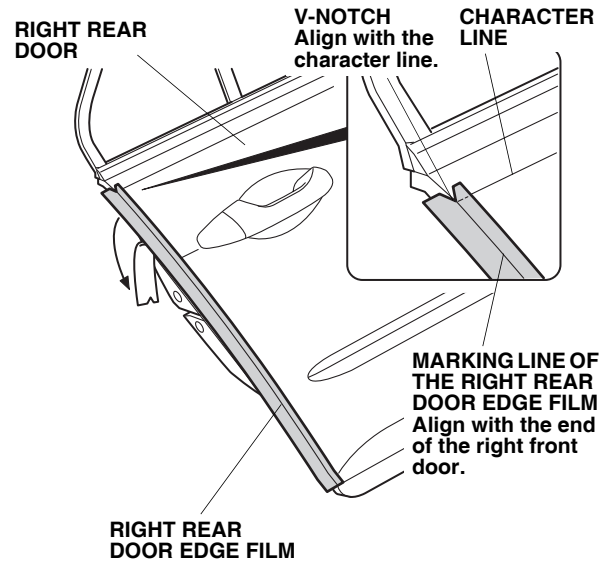
## Installing the Front Door Lower Edge Films

9. Repeat steps 3 thru 8 to install the right front door edge lower film on the right front door.
10. Align the V-notch in the right front door edge lower film with the end of the character line under the right front door side molding, and repeat steps 1 thru 9 to install the door edge films.



## Installing the Rear Door Edge Films

11. Align the V-notch in the right rear door edge film with the end of the character line on the upper part of the rear door, and repeat steps 1 thru 8 to install the rear door edge films on the rear doors.



*On the right rear door, you will have to lift the door seal to fold the right rear door edge film onto the inside face of the right rear door. Take care not to damage the door seal.*

