



ACURA

**INSTALLATION
INSTRUCTIONS**

Accessory

SELECT KNOB

Application

2010 RDX

Publications No.

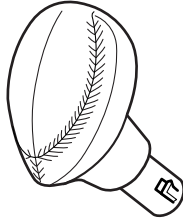
BII 41802

Issue Date

JUNE 2009

PARTS LIST

Select knob



2 Screws



Push knob ring



TOOLS REQUIRED

Phillips screwdriver

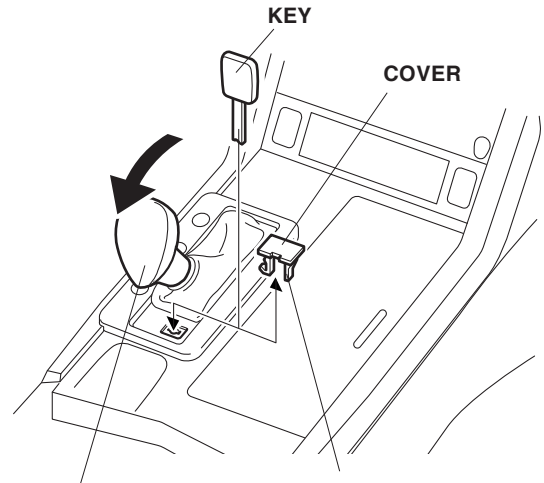
Flat-tip screwdriver

TORX screwdriver (T/N CDI 401 SM)

(Available through the Acura Tool and Equipment Program; call (888) 424-6857)

INSTALLATION

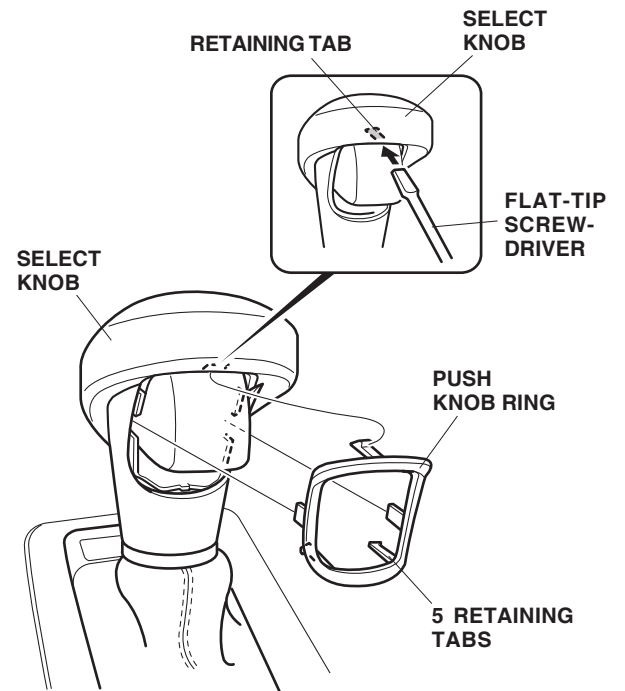
1. Remove the lid from the escutcheon panel (two retaining tabs).



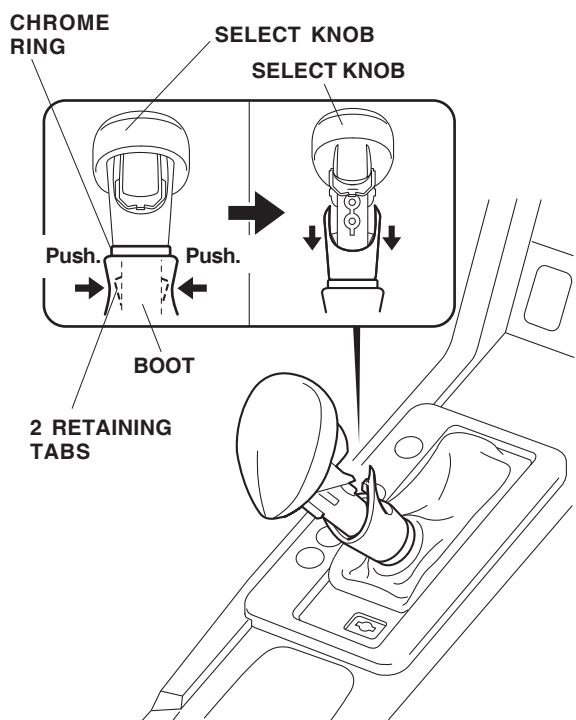
SELECT KNOB

**2 RETAINING
TABS**

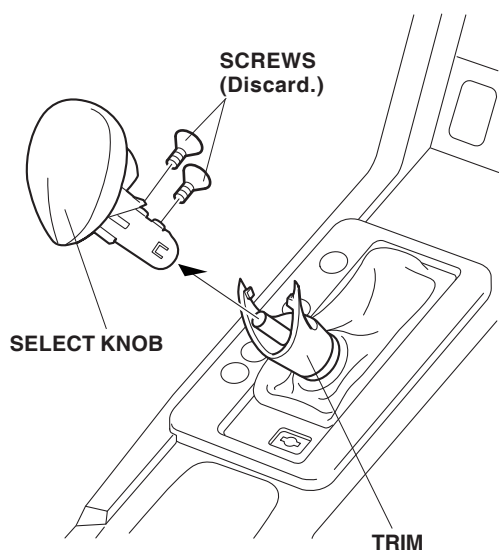
2. Insert the key into the opening where you removed the lid in step 1, and move the select knob to the "S" range.
3. Remove the push knob ring from the trim (five retaining tabs).



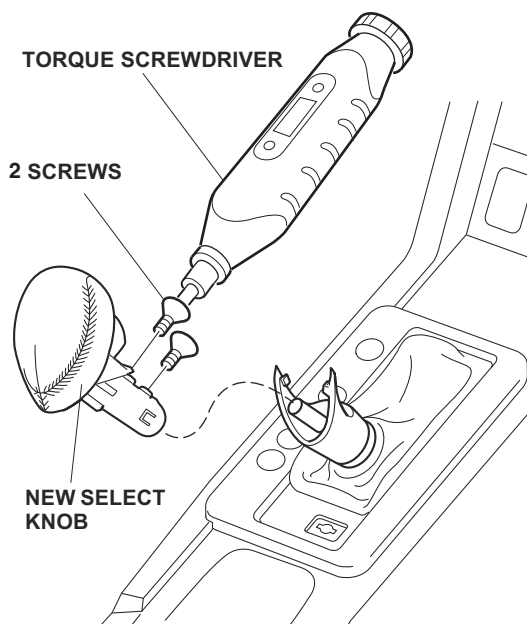
4. Lower the boot by pushing the two retaining tabs in the positions shown.



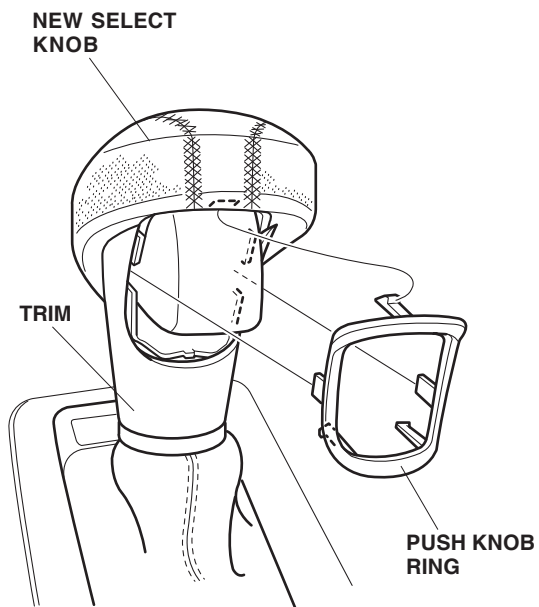
5. Remove the two screws from the select knob, and remove the select knob.



6. Install the new select knob using the two screws. Using a TORX screwdriver, torque the screws to 1.57 N·m (14 lb-in). Do not overtighten the screws.



7. Install the new push knob ring to the trim.



8. Reinstall the trim ring cover.