



INSTALLATION INSTRUCTIONS

Accessory
FULL NOSE MASK
P/N 08P35-STK-201

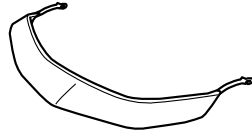
Application
2010 RDX

Publications No.
BII 41790
Issue Date
JUNE 2009

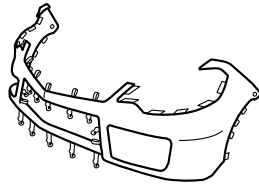
Put this instruction in the glove box with the vehicle owner's manual.

PARTS LIST

Mask
(hood section)



Mask
(bumper section)



2 Snap-screws



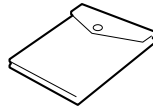
2 Washers



2 Fenderwell nuts



Storage bag



TOOLS AND SUPPLIES REQUIRED

Stubby Phillips screwdriver

Flat-tip screwdriver

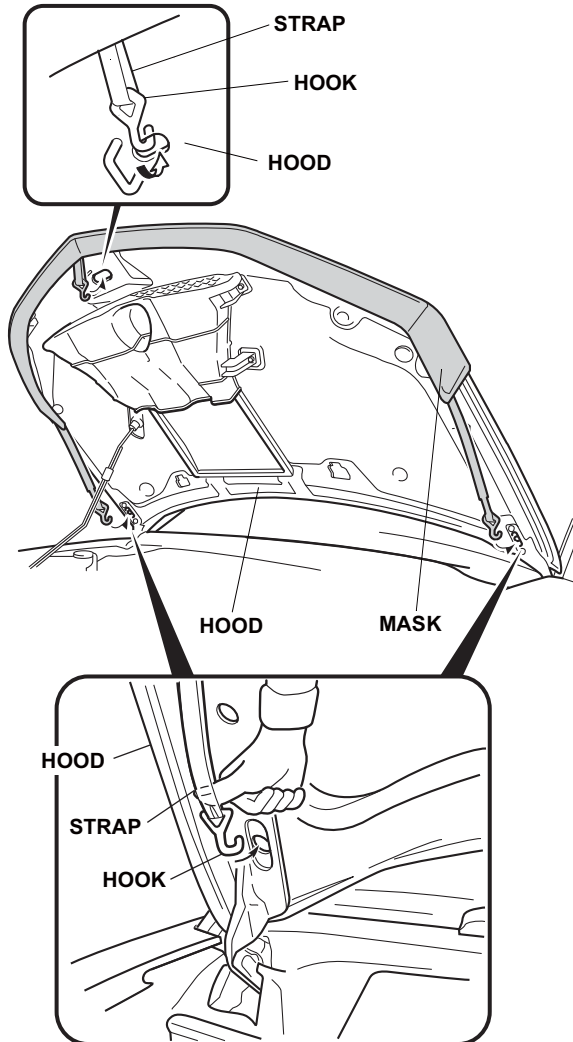
INSTALLATION

NOTE:

- Make sure the vehicle and the nose mask are clean and completely dry before installation. If moisture under the mask is allowed to dry, it may cloud the paint. If the mask gets wet, remove it and allow it to air-dry completely.
- Make sure any repainted surfaces are cured.
- Make sure the hood and nose of the vehicle have been waxed with a high-quality paste wax.
- Make sure to install the nose mask securely. If the nose mask starts to flap or comes loose while driving, safely pull off the highway, stop the vehicle, and secure or remove the mask.

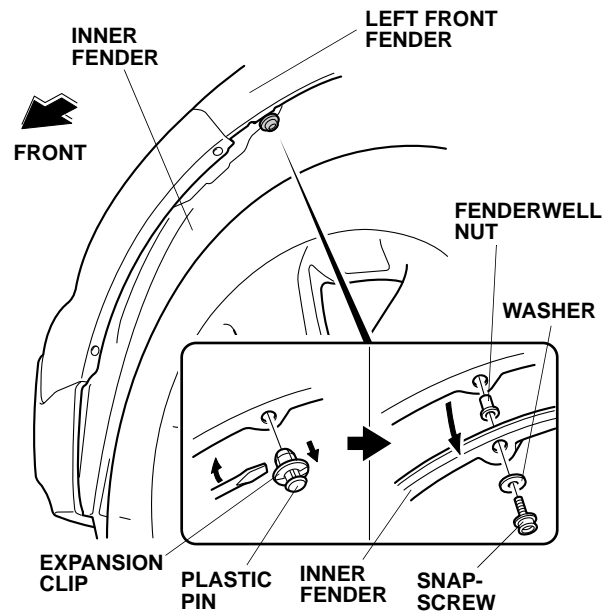
Installing the Hood Section

1. Open the hood. Fit the corners of the mask around the hood. Adjust the mask so that it fits smoothly over the edges. Insert your thumb into the center of each strap, and attach the three hooks to the hood. Use the same method to remove the hooks.

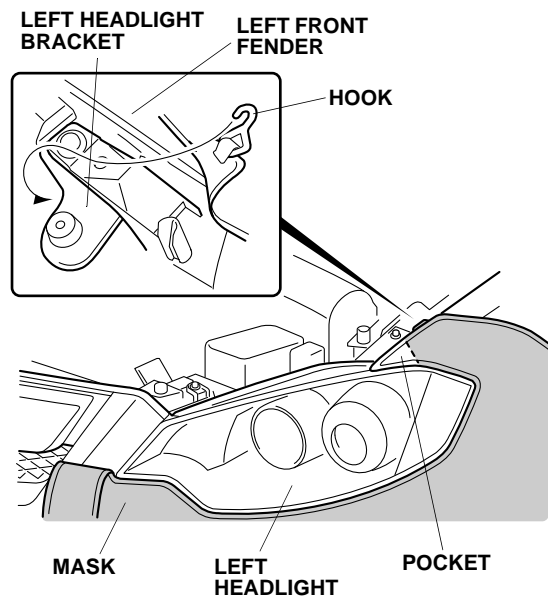


Installing the Bumper Section

2. Turn the steering wheel all the way clockwise.

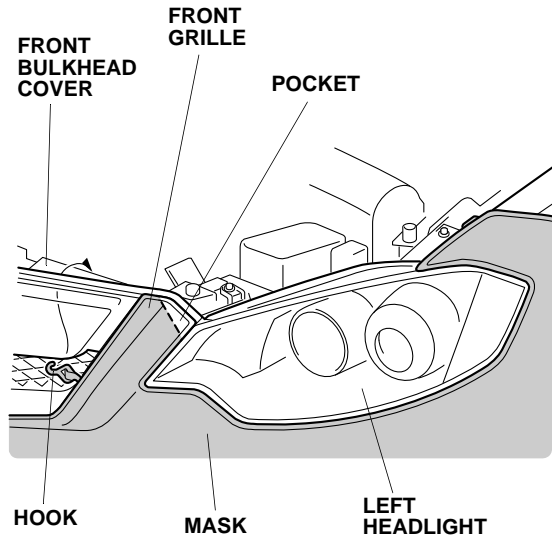


3. Pry out the plastic pin, and remove the expansion clip that fastens the inner fender, remove and retain the clip, then clean the area around the hole.
4. Pull the inner fender out, and press one fenderwell nut into the hole in the fender flange.
5. Place a washer onto the snap-screw and install one snap-screw into the fenderwell nut.
6. Slip the pocket on the mask onto the front corner of the left front fender.

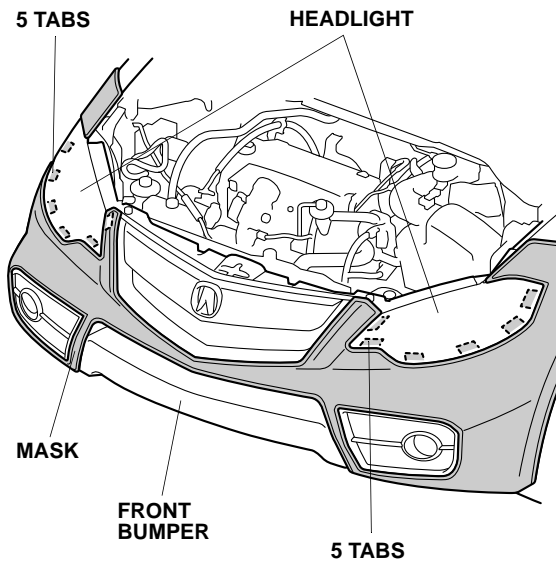


7. Secure one hook to the inside edge of the left headlight bracket.

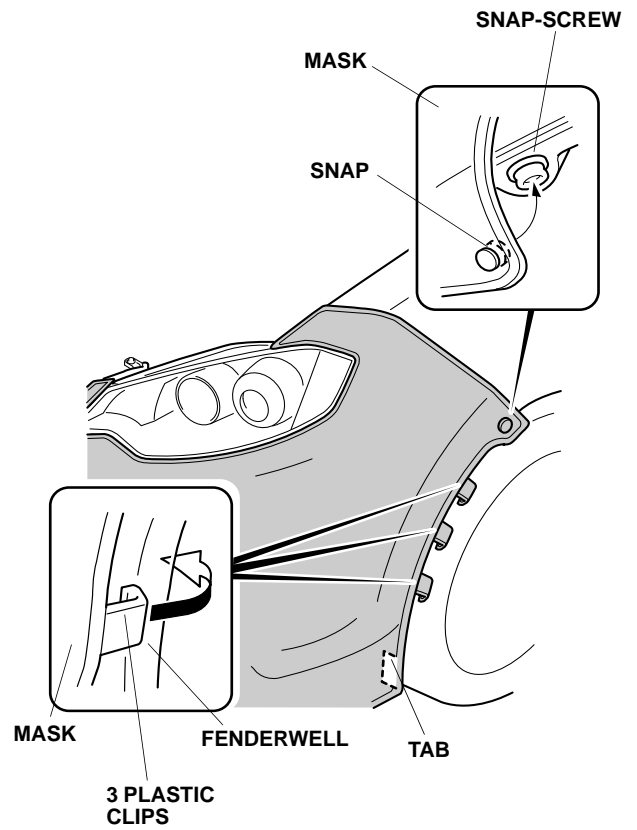
- Insert the tab between the headlight and the grille.



- Slip the pocket on the mask over the edge of the front grille.
- Secure one hook to the front bulkhead cover.
- Turn the steering wheel all the way counterclockwise, then repeat steps 3 thru 10 to install the mask on the right side of the vehicle.
- On each side, insert five tabs between the headlight and front bumper.

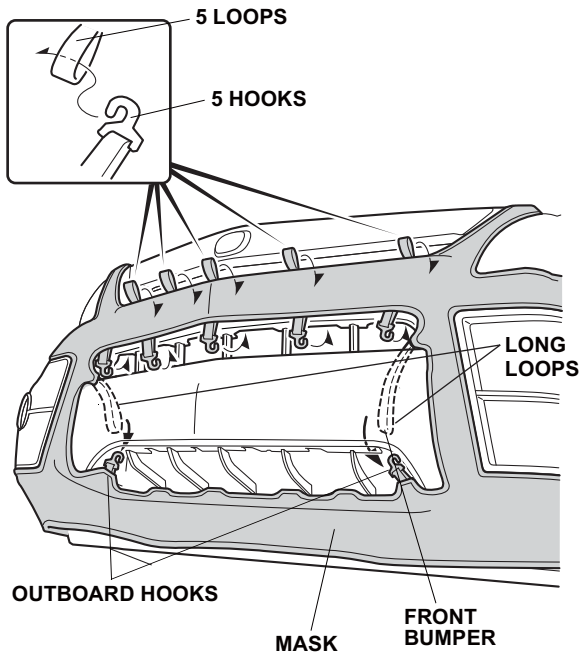


- Pull the mask back toward the left fenderwell, smooth out any wrinkles, and snap the mask onto the snap-screw.

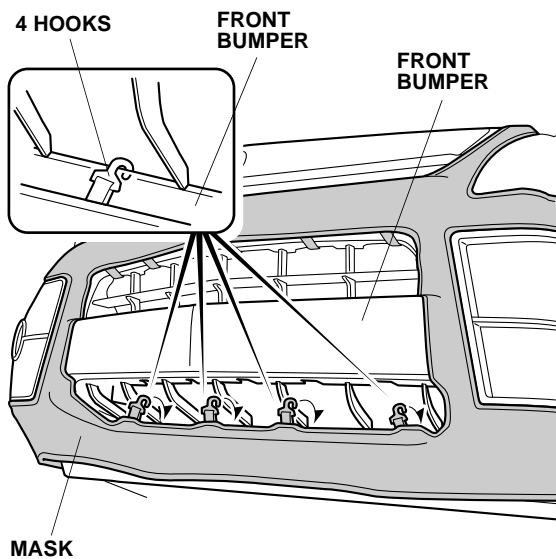


- Secure three plastic clips to the fenderwell, and insert the tab between the fenderwell and the inner fender.
- Repeat steps 13 and 14 to secure the mask on the right side of the vehicle.

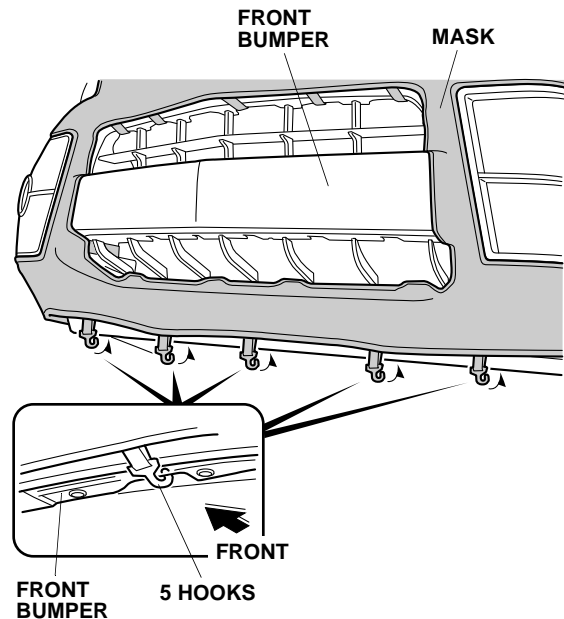
- Route the upper five loops through the grille and behind the front bumper. Attach the five hooks to the five loops.



- Route the two long loops behind the front bumper, and attach the two outboard hooks to the two long loops.
- Attach the four center hooks to the front bumper.



- Attach the five bottom hooks to the bottom edge of the front bumper.



CLEANING THE NOSE MASK

Use a sponge or cloth and a solution of mild liquid dishwashing soap and water to clean the vinyl and the flannel backing. Rinse the mask completely with clean water, and hang it to dry out of direct sunlight. Make sure the mask is completely dry before you reinstall it.