



ACURA INSTALLATION INSTRUCTIONS

Accessory

BODY SIDE MOLDING

Application

2010 RDX

Publications No.

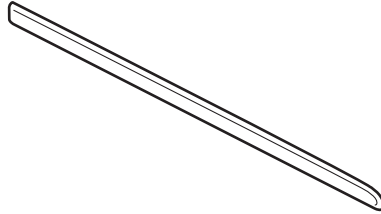
BII 41784

Issue Date

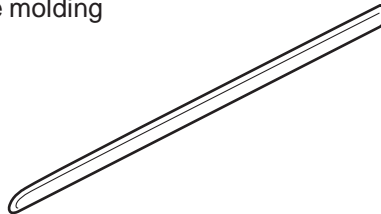
JUNE 2009

PARTS LIST

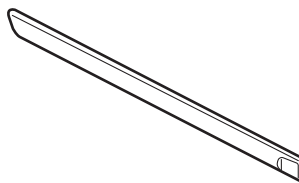
Left front body side molding



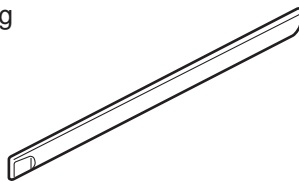
Right front body side molding



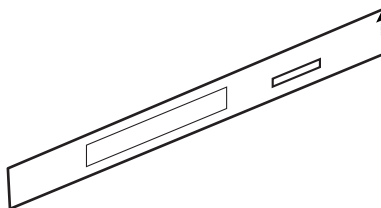
Left rear body side molding



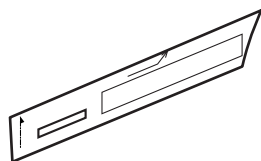
Right rear body side molding



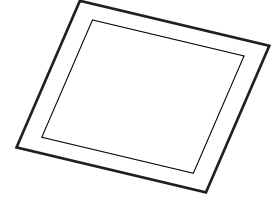
Front template



Rear template



Alcohol swab



TOOLS AND SUPPLIES REQUIRED

Shop towel

Masking tape

Rubber roller

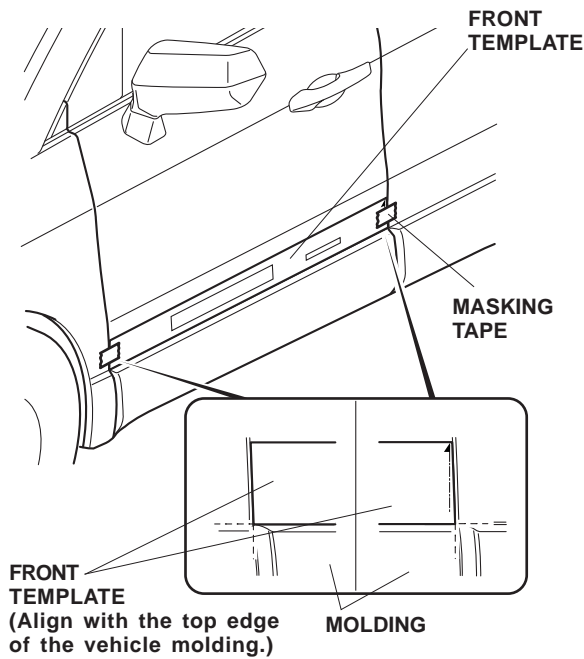
INSTALLATION

NOTE

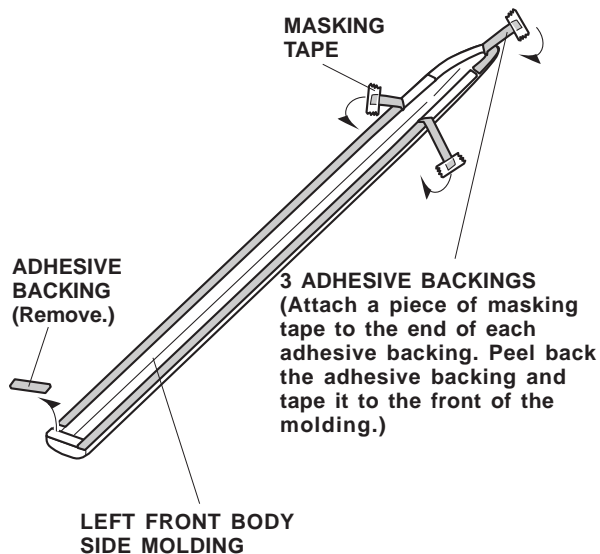
- This body side molding kit should be installed only when the ambient temperature is 60°F (15°C) or above.
- If the vehicle has been repainted, let the paint cure for at least 24 hours before you install the molding.
- Do not remove the protective tape from the molding until you're ready to attach that molding in place.
- Do not install any molding that shows contaminated or damaged adhesive.
- To allow the adhesive to cure, do not wash the vehicle for 24 hours.

Installing the Front Body Side Molding

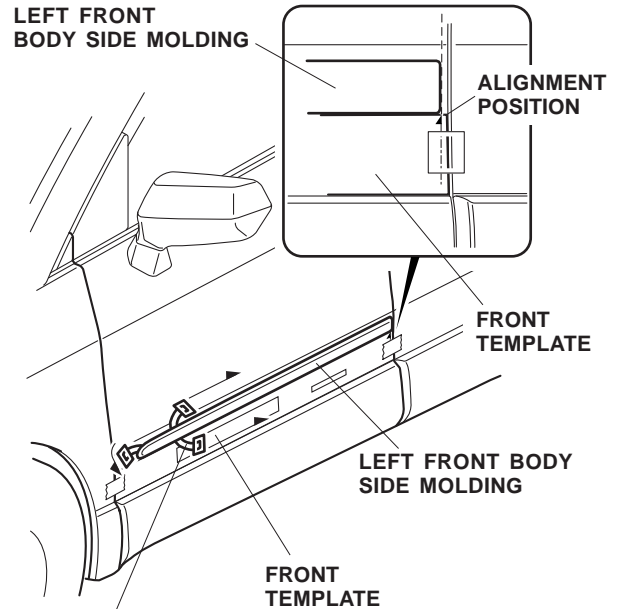
1. Check the surface where the left front body side molding will attach, and clean the surface using the alcohol swab.



2. Position the front template as shown by aligning it with the ends of the left front door and the top edge of the vehicle molding. Secure the template with the masking tape as shown.
3. Attach a piece of masking tape to the end of each of the three adhesive backings on the left front body side molding. Peel back the three adhesive backings and tape them to the front surface of the body side molding. Remove the remaining adhesive backing.



4. Align the rear end of the left front body side molding with the front template, and attach it using the top edge of the template as a guide.

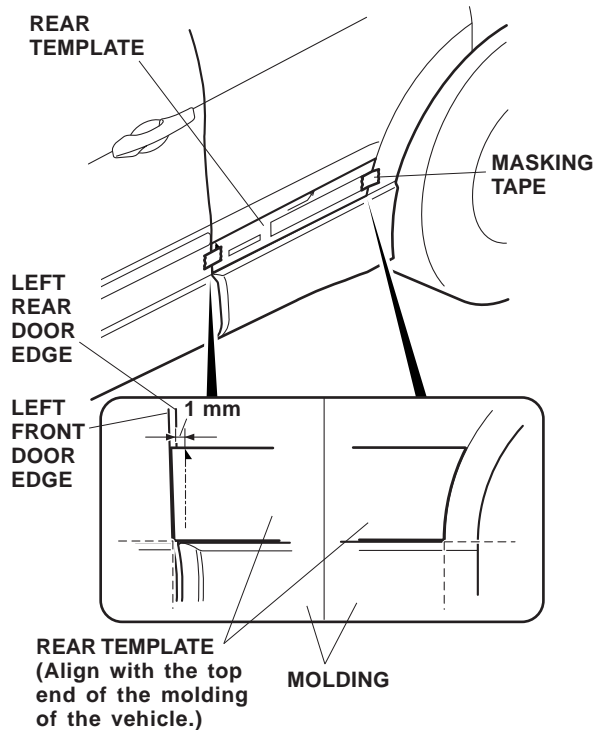


3 ADHESIVE BACKINGS
(Press on the body side molding firmly with the palm of your hand while removing the adhesive backings.)

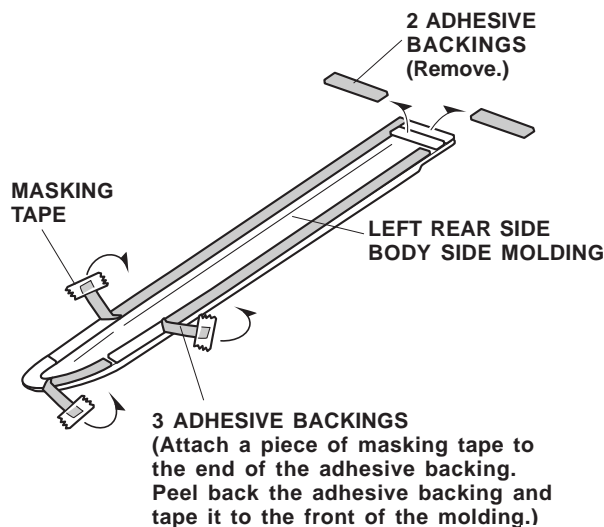
5. Press on the left front body side molding with the palm of your hand while removing the adhesive backings. Remove about 50 to 100 mm at a time while pressing on the molding with the palm of your hand.
6. Remove the front template.

Installing the Rear Body Side Molding

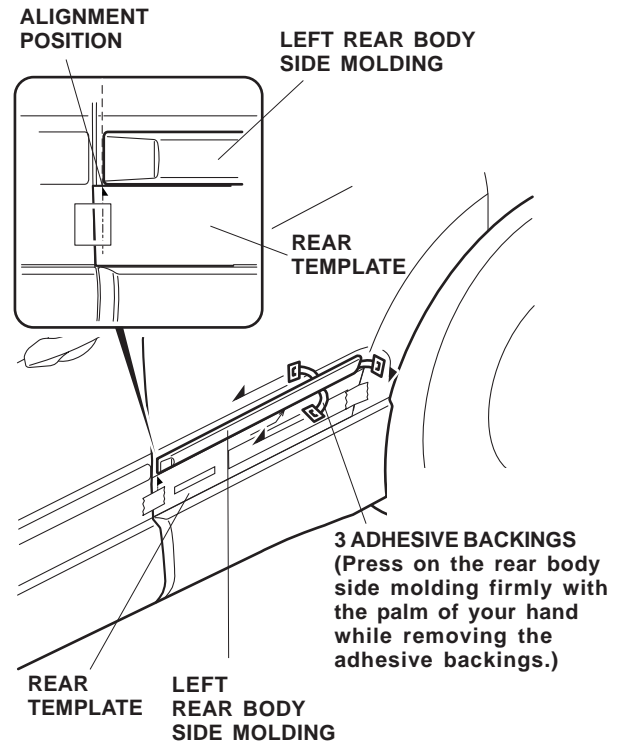
7. Check the surface where the left rear body side molding will attach, and clean the surface using the alcohol swab.



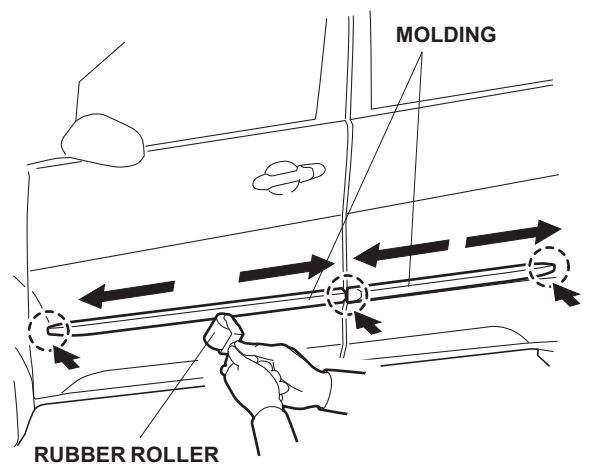
8. Position the rear template as shown by aligning it with the end of the left front door edge and the top edge of the vehicle molding. Secure the rear template with the masking tape as shown.
9. Attach a piece of masking tape to the end of each of the three adhesive backings on the left rear body side molding. Peel back the three adhesive backings and tape them to the front side of the left rear body side molding. Remove the remaining adhesive backings.



10. Align the front end of the left rear side molding with the rear template as shown, and temporarily attach it using the top end of the template as a guide.



11. Press on the left rear body side molding with the palm of your hand while removing the adhesive backings. Remove about 50 to 100 mm at a time while pressing on the molding with the palm of your hand.
12. Remove the rear template.
13. Using a hard rubber roller, apply pressure along the entire length of the moldings.



14. Hold the molding firmly against the door with the palm of your hand, especially at both edges, for 30 seconds.
15. Repeat steps 1 thru 14 to install the body side molding on the right side of the vehicle.