



# INSTALLATION INSTRUCTIONS

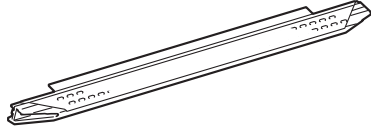
Accessory  
**SPORT RUNNING BOARDS**  
P/N 08L33-STX-200F

Application  
**2010 MDX**

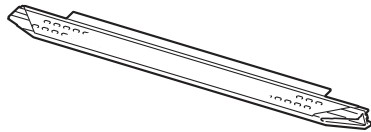
Publications No.  
**BII 42097**  
Issue Date  
**JAN 2010**

## PARTS LIST

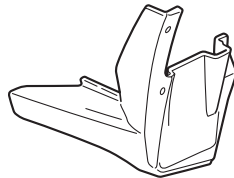
Right running board



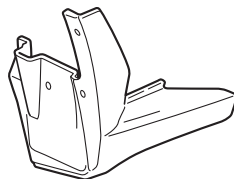
Left running board



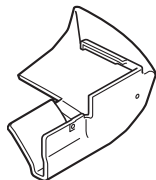
Right front end cap



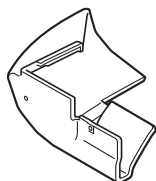
Left front end cap



Right rear end cap



Left rear end cap



2 Self-tapping screws



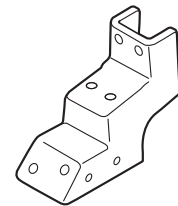
4 Screws



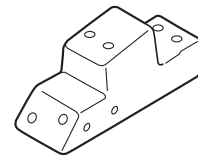
4 Flange nuts, 6 mm



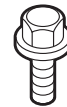
2 Brackets A



4 Brackets B



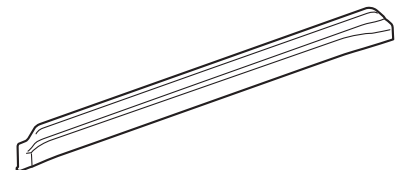
24 Flange bolts



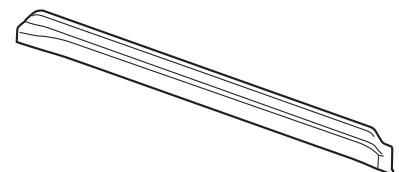
12 Flange nuts, 8 mm



Right center trim



Left center trim



## TOOLS AND SUPPLIES REQUIRED

Stubby Phillips screwdriver  
Clip remover  
Ratchet  
10 mm, and 13 mm Sockets  
10 mm Combination wrench  
Torque wrench  
Scraper

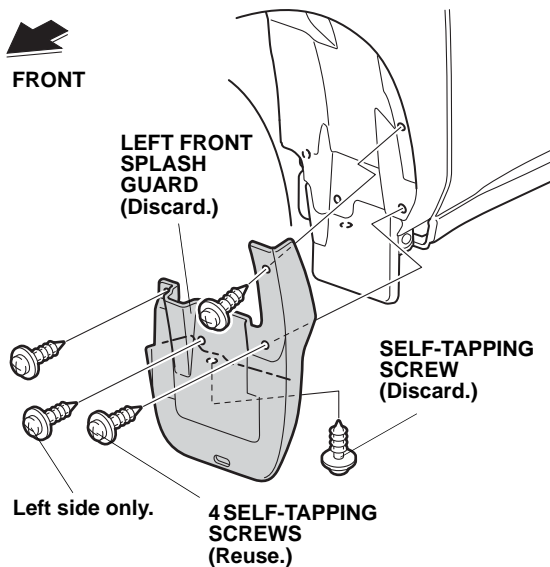
## INSTALLATION

**Client Information:** The information in this installation instruction is intended for use only by skilled technicians who have the proper tools, equipment, and training to correctly and safely add equipment to your vehicle. These procedures should not be attempted by "do-it-yourselfers."

### NOTE:

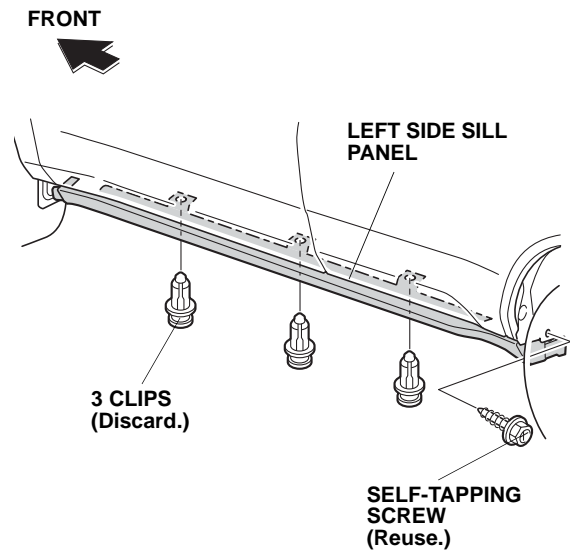
- Thoroughly clean the bottom of the body between the front and rear wheels.
- Be careful not to damage the body paint finish.
- These instructions show the left side running board being installed; the same procedure applies to installing the right side running board.

1. Turn the steering wheel fully counterclockwise.

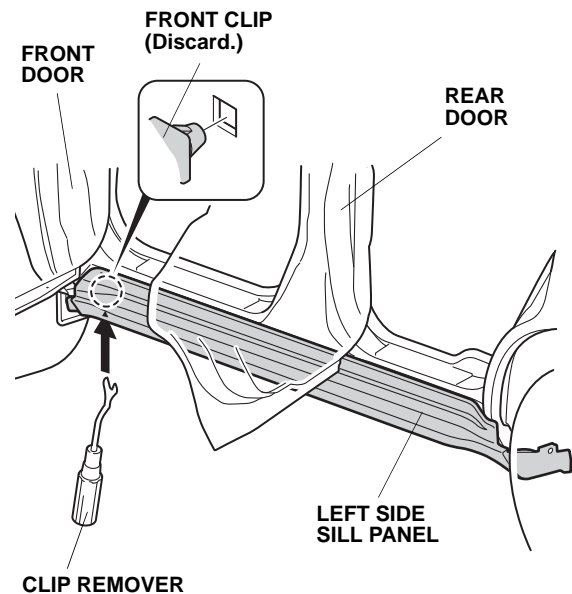


2. Remove the left front splash guard (five self-tapping screws).

3. Remove the three clips and one self-tapping screw from the left side sill panel.

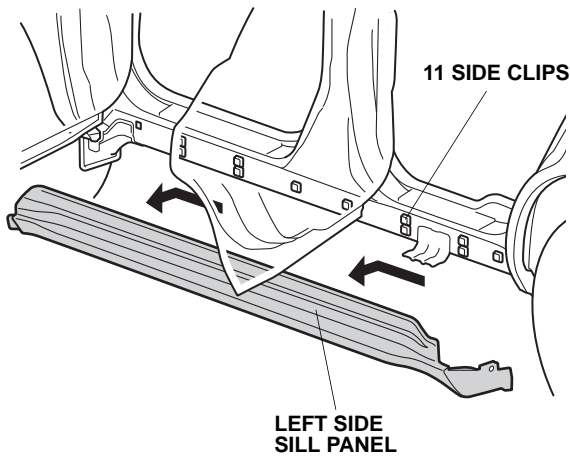


4. Open the front door and rear door.

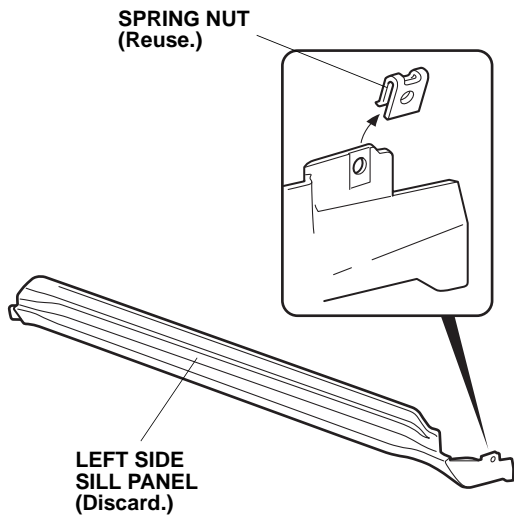


5. Using a clip remover, pry on the front clip from the back of the left side sill panel.

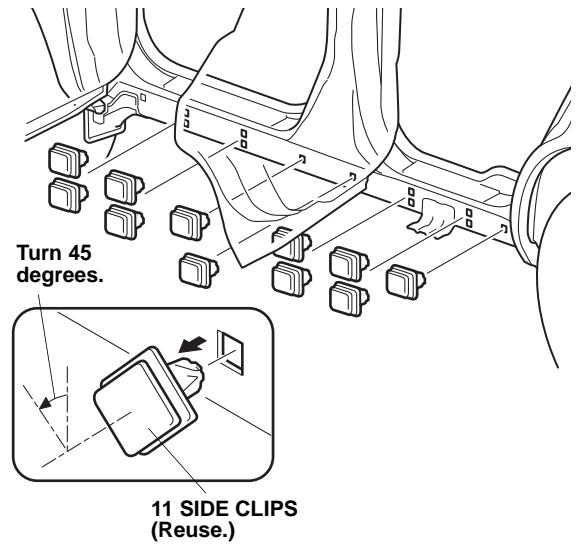
6. While pulling the front portion of the left side sill panel away from the body, slide the left side sill panel forward and remove it. The 11 side clips will stay in the body.



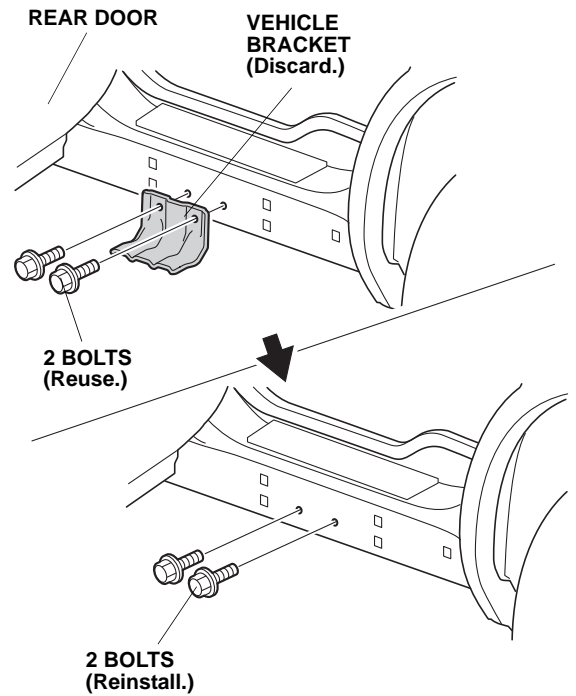
7. Remove the spring nut from the left side sill panel.



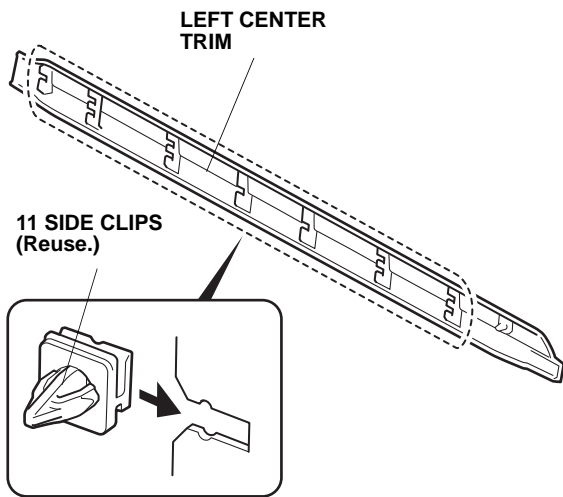
8. Remove the 11 side clips from the body by turning them 45 degrees.



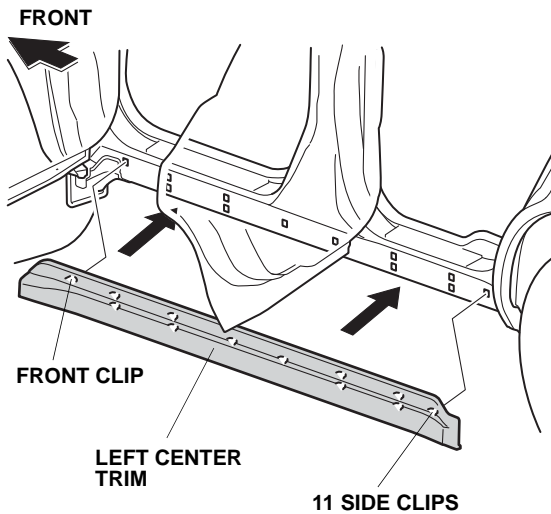
9. Remove the vehicle bracket (two bolts), and reinstall the two bolts.



10. Install the 11 side clips to the left center trim.



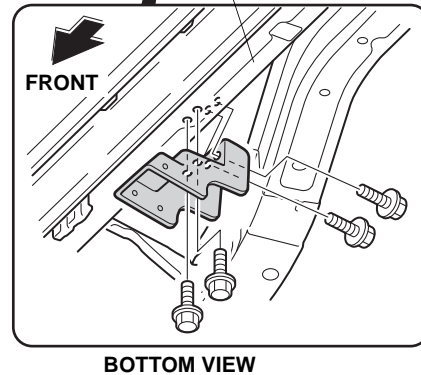
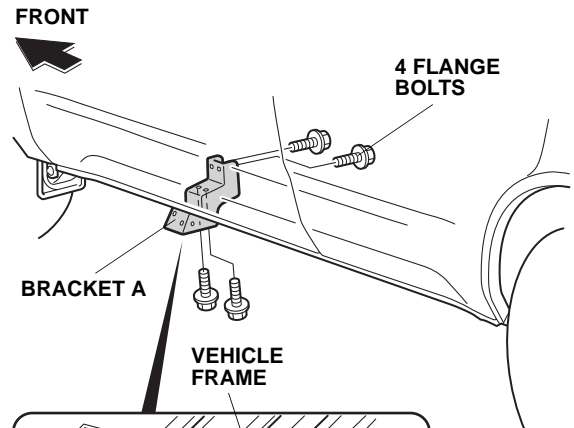
11. Hold the left center trim up, and fit the front clip and 11 side clips into the holes in the body, then push on the left center trim until the side clips snap into place.



12. Close the front door and rear door.

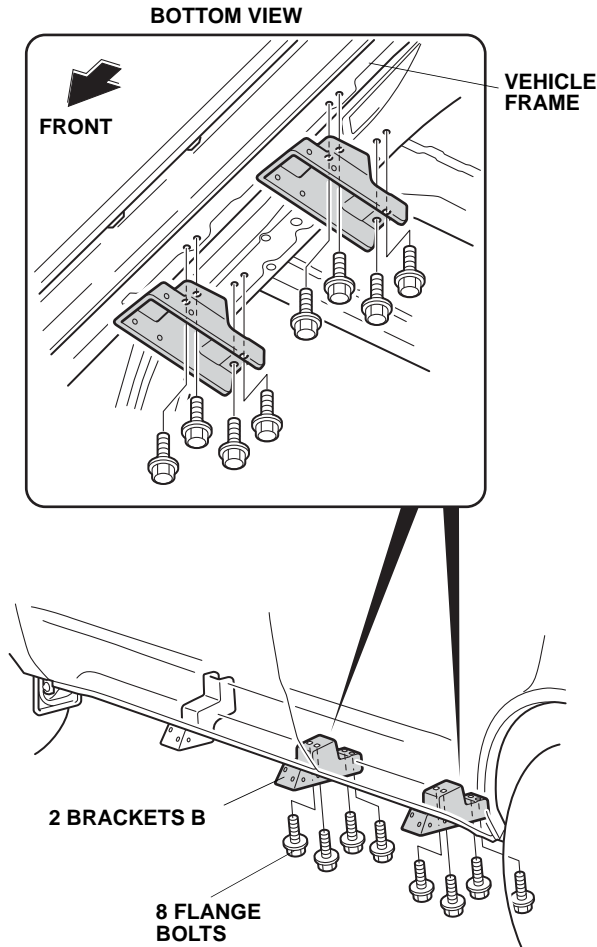
13. Position the bracket A at the installation position of the vehicle frame. Install the bracket A on the vehicle frame with four flange bolts. Do not tighten the flange bolts yet. Make sure the flange bolts are installed in the correct positions.

NOTE: If there is undercoat on the body surface where the brackets will attach, use a scraper to remove the undercoat before installing the brackets. If necessary, clean the threads using a tap. Take care not to damage the paint finish.

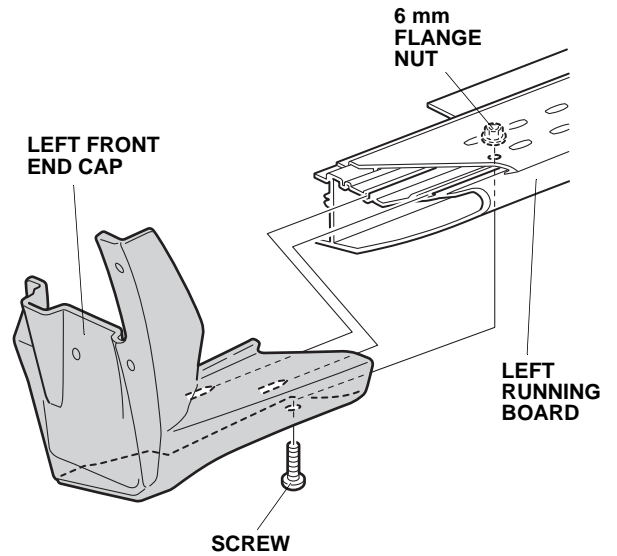


14. Position the two brackets B at the respective installation positions of the vehicle frame. Install the two brackets B on the vehicle frame with four flange bolts for each. Do not tighten the flange bolts yet. Make sure the flange bolts are installed in the correct positions.

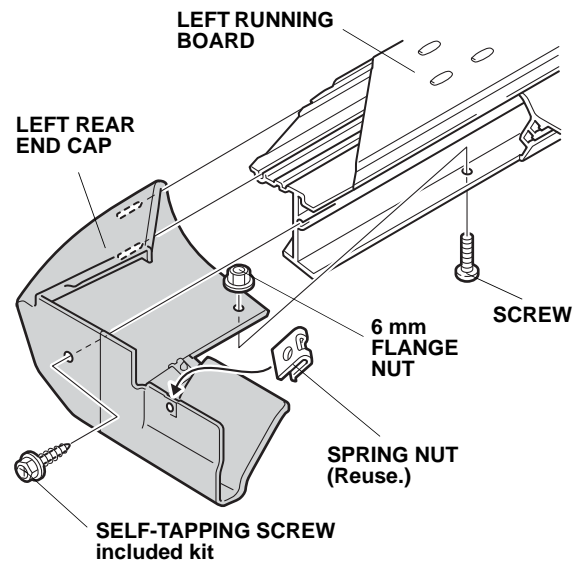
NOTE: If there is undercoat on the body surface where the brackets will attach, use a scraper to remove the undercoat before installing the brackets. If necessary, clean the threads using a tap. Take care not to damage the paint finish.



15. Install the left front end cap to the left running board with one screw and one 6 mm flange nut.

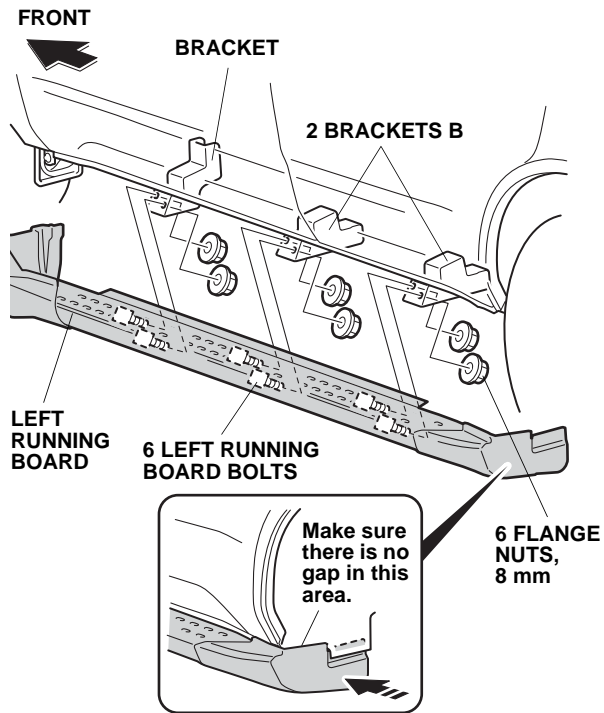


16. Install the left rear end cap to the left running board with one self-tapping screw, one screw and one 6 mm flange nut.

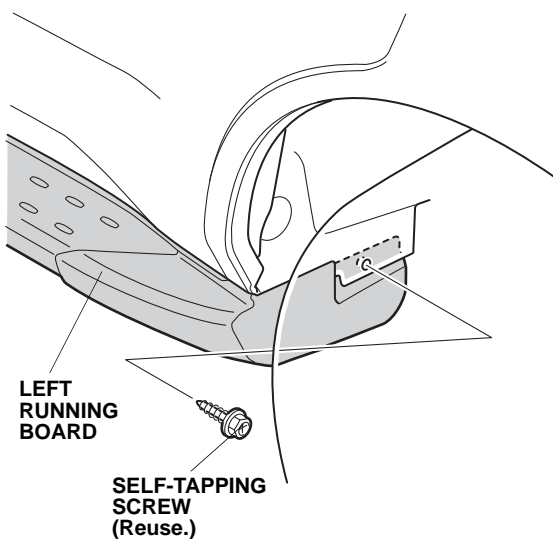


17. Install the spring nut to the left rear end cap.

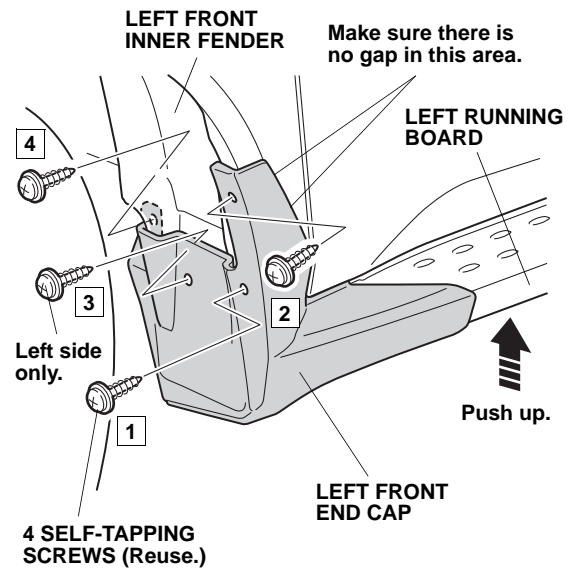
- Get the left running board, and remove the wrapper that secures the bolts to the running board. Align the six bolts with to the six holes in brackets A and B. While applying forward pressure on the left running board, install it with six 8 mm flange nuts. Do not tighten the flange nuts yet.



- Secure the rear portion of the left running board with the self-tapping screw removed in step 3.



- While pushing up on the left running board, secure the left front end cap with four of the self-tapping screws removed in step 2. Do not tighten the self-tapping screws yet. (The right front end cap only uses three self-tapping screws.)



- While holding the left front end cap against the left front inner fender, tighten the self-tapping screws in the order shown.
- Torque all the flange bolts, and the 8 mm flange nuts you installed to 27 N·m (20 lbf·ft).
- Turn the steering wheel all the way clockwise, and repeat steps 2 thru 22 to install the right running board.