



# INSTALLATION INSTRUCTIONS

Accessory

**STEERING WHEEL TRIM**  
P/N 08Z13-TL2-220A  
P/N 08Z13-TL2-250B

Application

2009 TSX

Publications No.

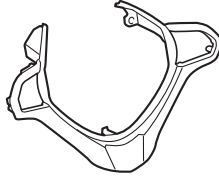
**BII 38618**

Issue Date

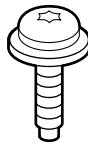
**APRIL 2008**

## PARTS LIST

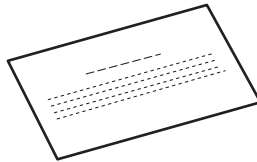
Steering wheel trim



2 TORX bolts



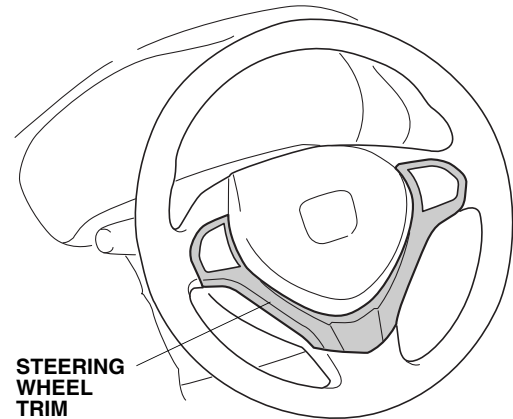
Information



## TOOLS AND SUPPLIES REQUIRED

Phillips screwdriver  
14 mm T-handle wrench  
T30 TORX wrench  
Steering wheel puller  
Shop manual  
Torque wrench  
10 mm Wrench

## Illustration of the Steering Wheel Trim Installed on the Vehicle

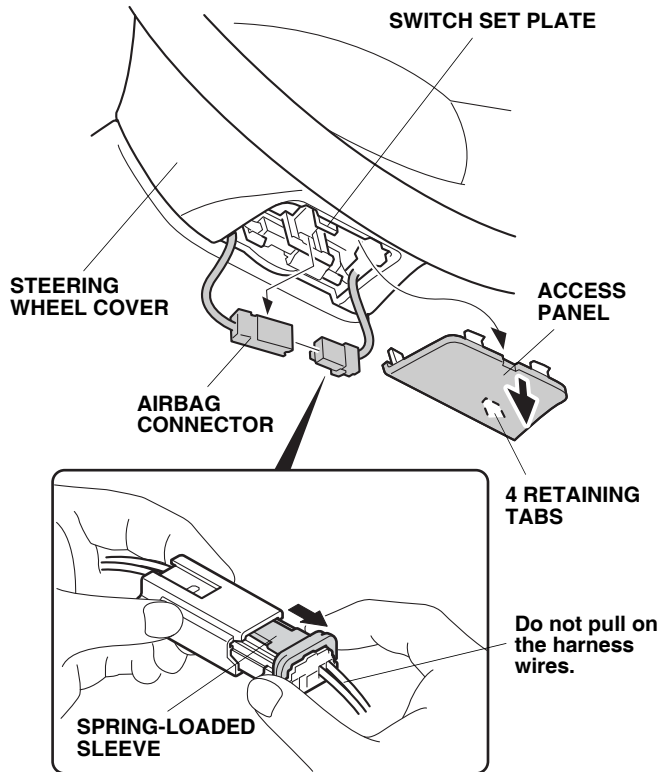


## INSTALLATION

**Client Information:** The information in this installation instruction is intended for use only by skilled technicians who have the proper tools, equipment, and training to correctly and safely add equipment to your vehicle. These procedures should not be attempted by "do-it-yourselfers."

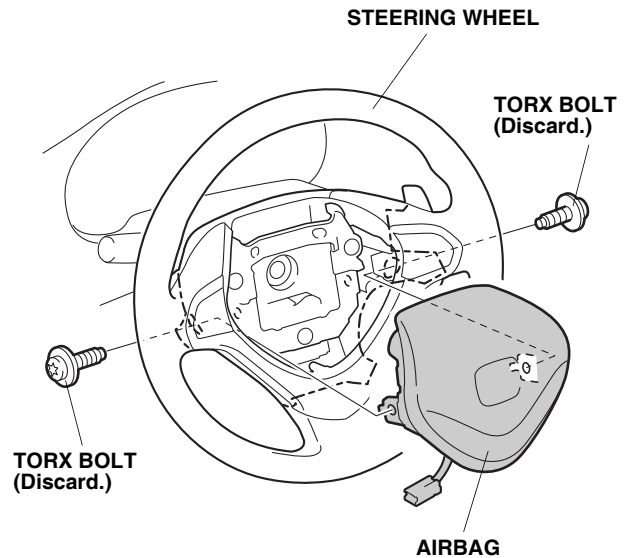
**NOTE:** Observe all safety notes and precautions described in the Service Manual in addition to these described in this Installation Instruction.

1. Make sure you have the anti-theft codes for the audio and navigation systems (if equipped), then write down the audio presets.
2. Disconnect the negative cable from the battery, and wait for at least 3 minutes before you start to install the steering wheel trim.
3. Remove the access panel. From under the driver's side airbag.

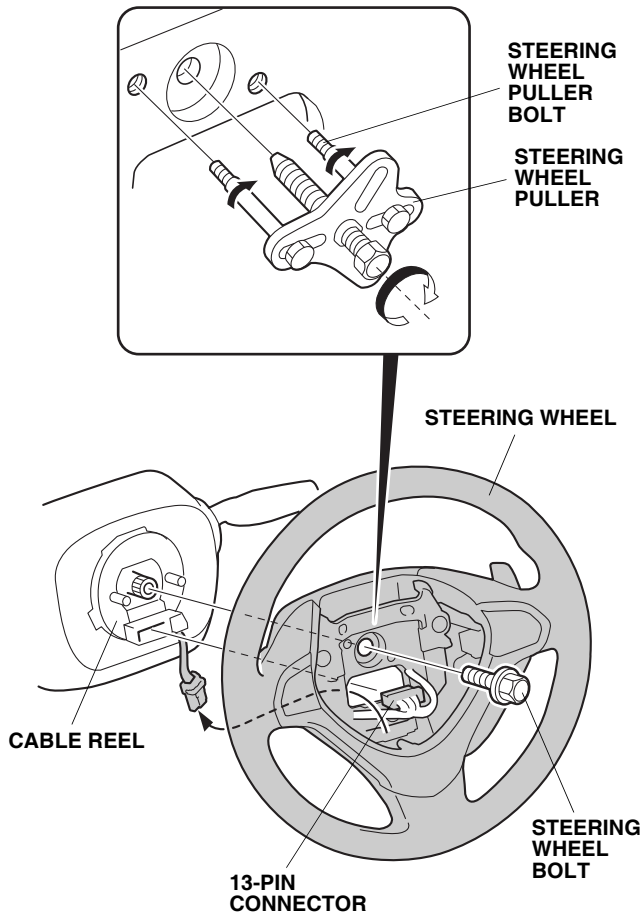


4. Remove the airbag connector from the switch plate.
5. Unplug the airbag connector. Pull the spring-loaded sleeve toward the stop while holding the opposite half of the airbag connector, then pull the airbag connector halves apart. Be sure to pull on the sleeve and not on the harness wires.

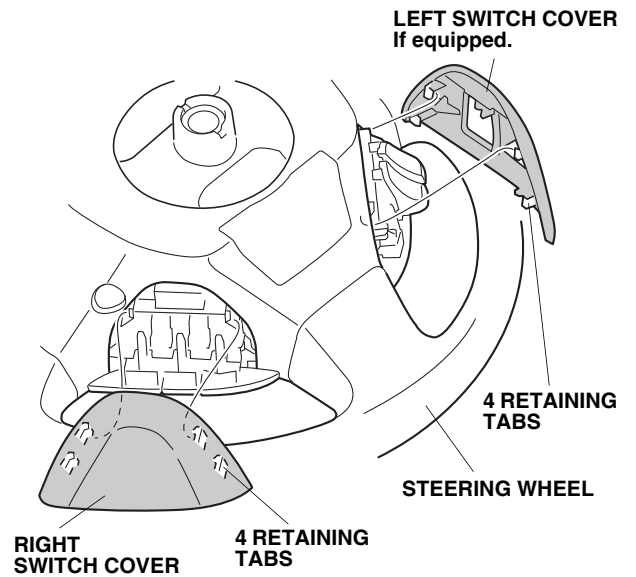
6. Remove and discard the two TORX bolts that secure the airbag, and remove the airbag. Carefully set the airbag in a secure location with the pad facing up. Do not drop or bump the airbag.



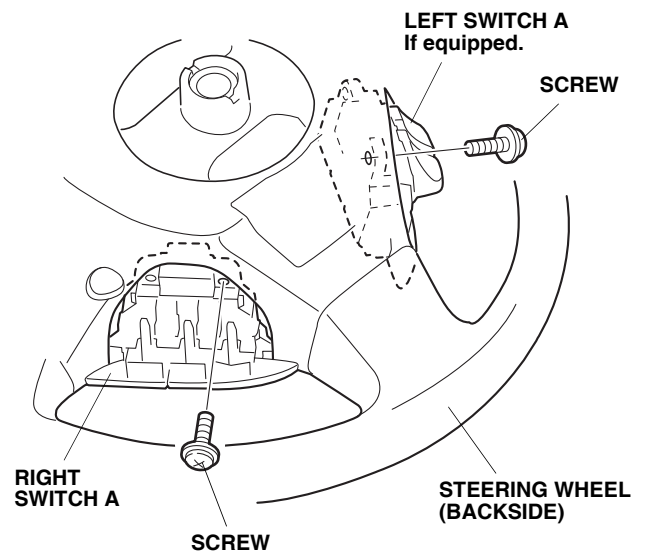
7. Turn the steering wheel so the front wheels are in the straight-ahead position.
8. Disconnect the vehicle 13-pin connector from the cable reel. Remove the steering wheel bolt. Using a steering wheel puller, remove the steering wheel. Do not thread the steering wheel puller bolts in more than 10 mm. Be careful not to move the steering wheel during removal.



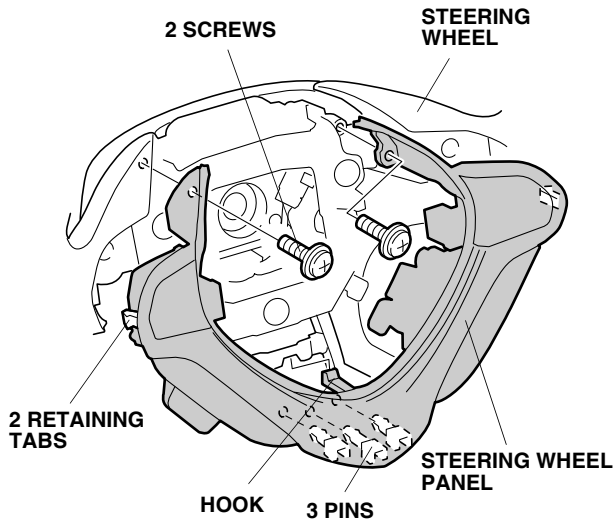
9. Remove the right switch cover from the steering wheel (four retaining tabs). If equipped, remove the left switch cover (four retaining tabs).



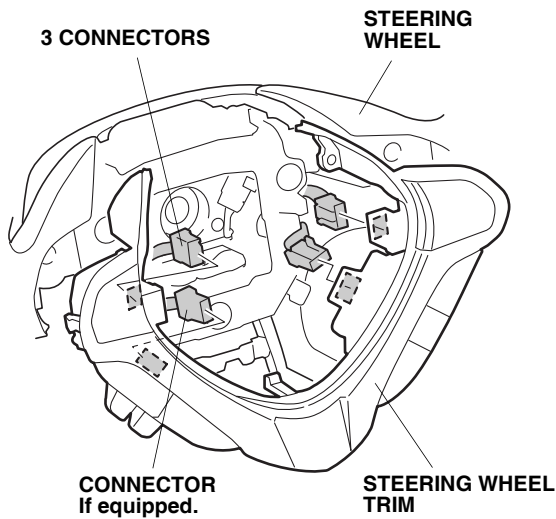
10. Remove the screw from right switch A. If equipped, remove the screw from left switch A.



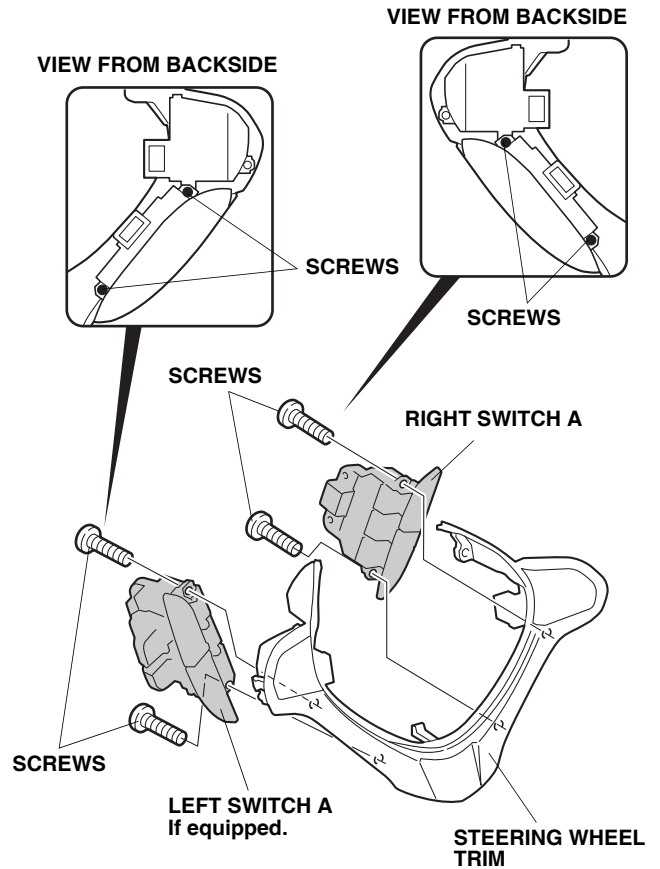
11. Remove the steering wheel trim:
  - Remove the two screws, and release the steering wheel trim (three pins, two retaining tabs, and one hook)



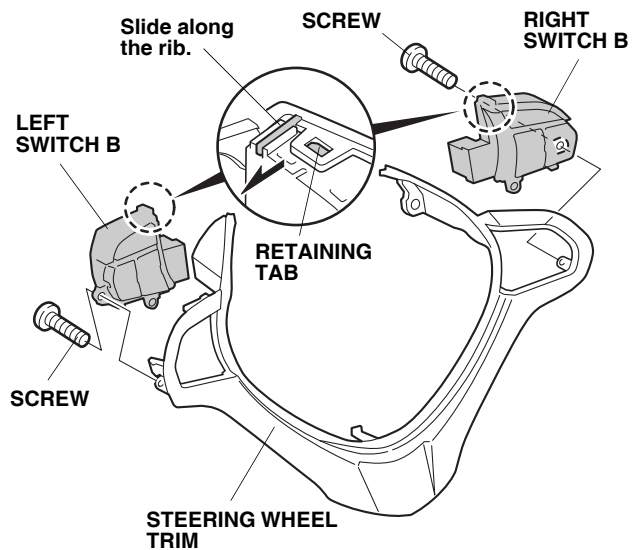
- Disconnect the four connectors and remove the steering wheel trim from the steering wheel.



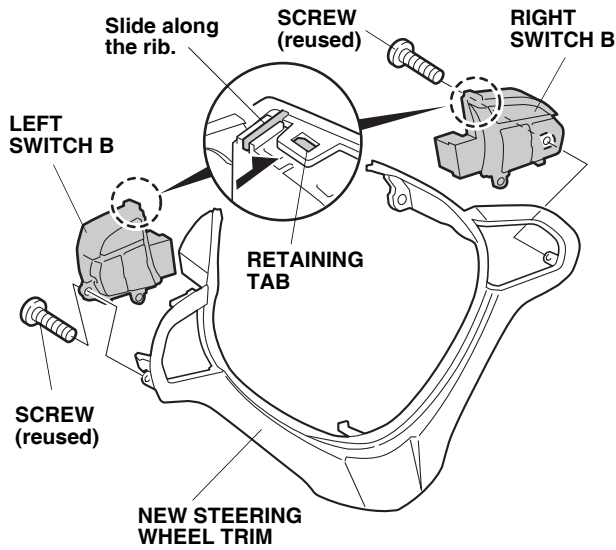
12. Remove right switch A from the steering wheel trim (two screws). If equipped, remove left switch A (two screws).



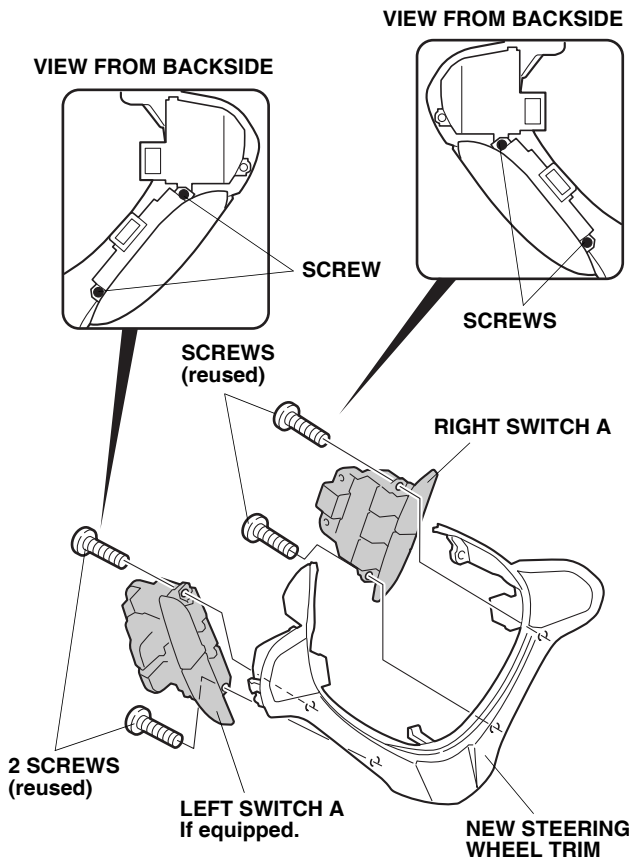
13. Remove right and left switch B from the steering wheel trim (one screw and one retaining tab for each switch).



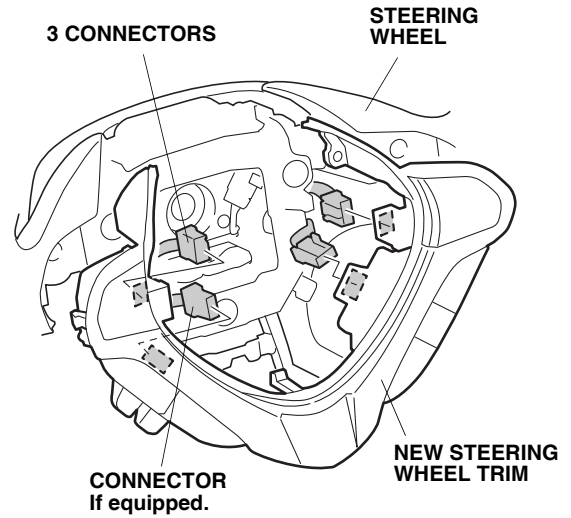
14. Transfer right and left switch B to the new steering wheel trim using the screws you removed earlier.



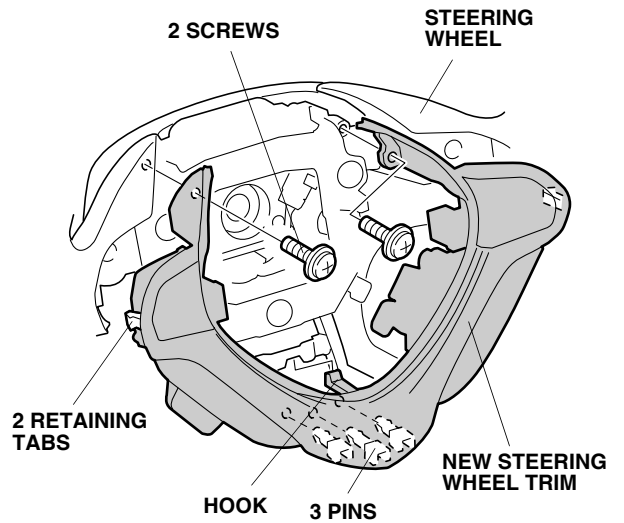
15. Install right switch A and left switch A (if equipped) to the the new steering wheel trim using the screws that you removed earlier.



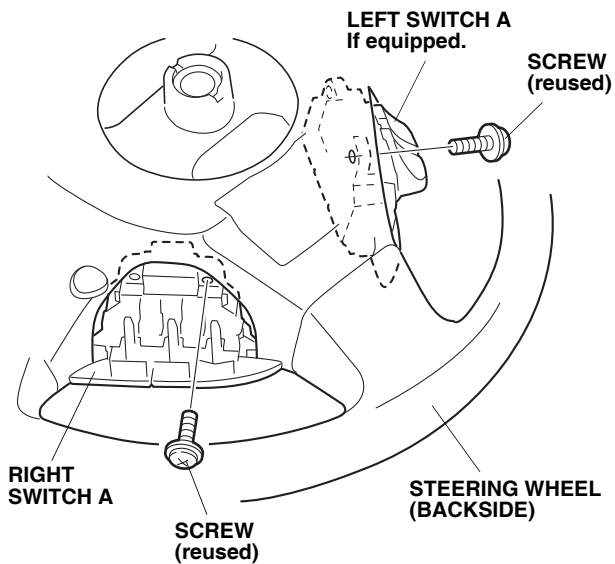
16. Plug the four steering wheel connectors into the new steering wheel trim.



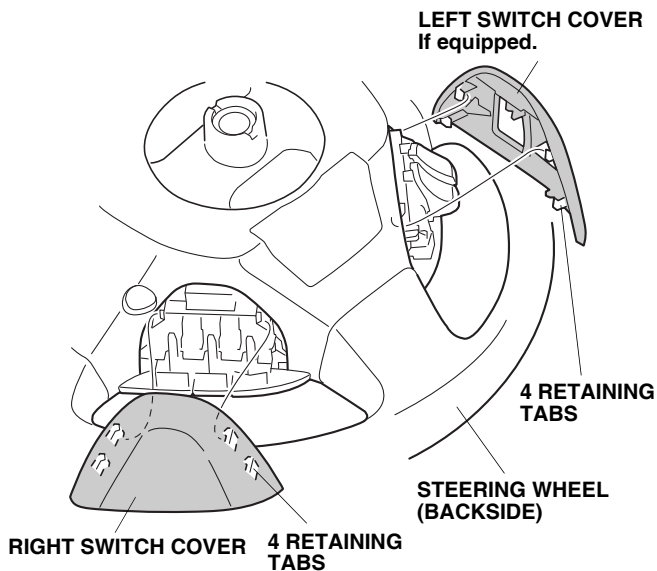
17. Install the new steering wheel trim to the steering wheel using the two screws you removed earlier.



18. Reinstall right switch A and left switch A (if equipped) using the screws you removed earlier.

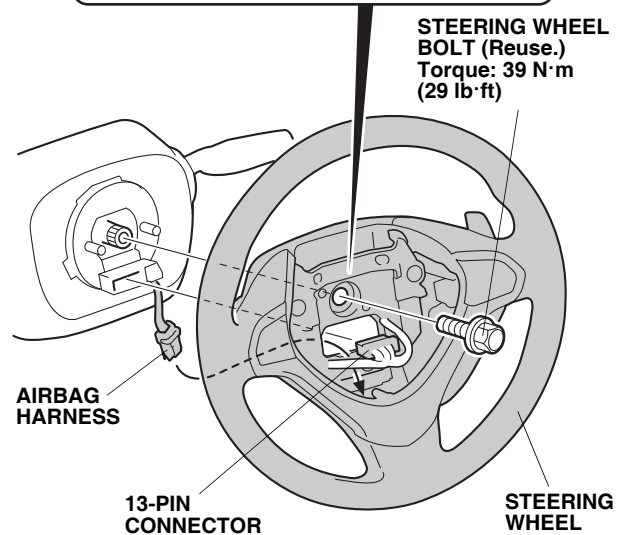
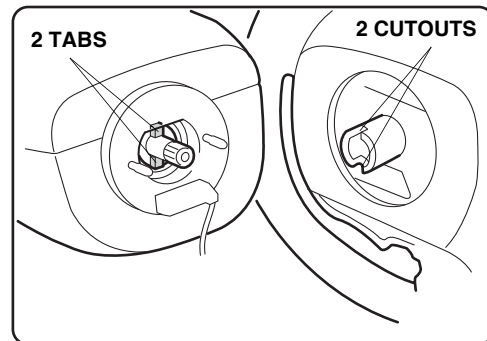


19. Reinstall the right switch covers.



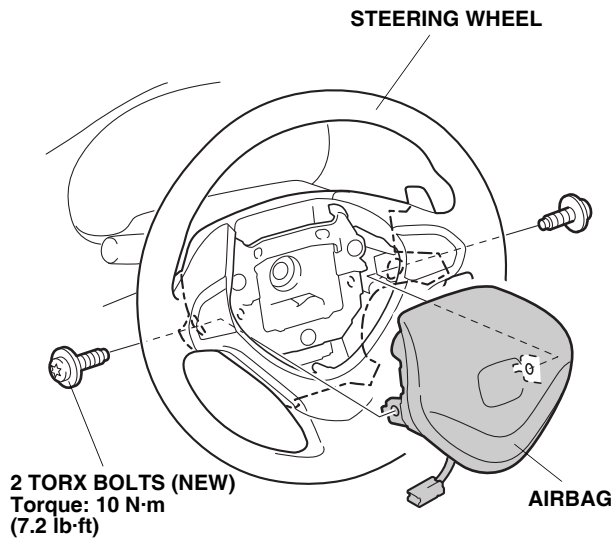
*If the cable reel was moved, continue with step 20; if it was not moved, go to step 21.*

20. Align the cable reel:
- Rotate the cable reel clockwise all the way until it stops.
  - Turn the cable reel counterclockwise about three complete turns until the arrow on the cable reel points up.
21. Install the steering wheel on the steering wheel column shaft in the straight-ahead position:
- Route the wire harness through the opening in the steering wheel.
  - Align the two tabs of the cancelling sleeve with the two cutouts in the steering wheel as shown.
  - Check that the wire harness is not pinched.



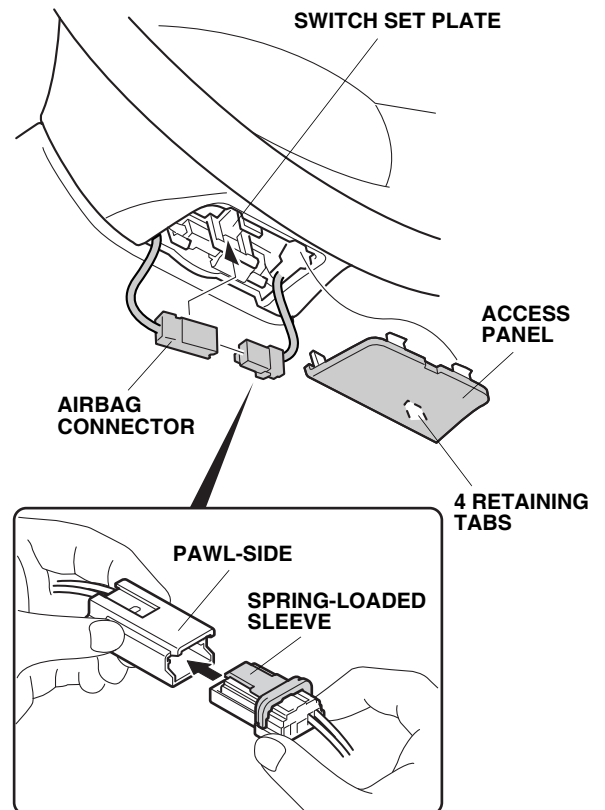
22. Install the steering wheel bolt. Torque the steering wheel bolt to 39 N·m (29 lb·ft).
23. Reconnect the 13-pin connector.

24. Route the airbag harness and the horn harness down through the steering wheel. Position the airbag on the steering wheel, and check that the wire harness is not pinched. Install the two new TORX bolts. Torque the TORX bolts to 10 N·m (7.2 lb-ft)



25. Plug-in the airbag connector:

- Hold the pawl-side airbag connector, and press on the back of the sleeve-side airbag connector in the direction shown.
- Do not touch the sleeve, the sleeve is pushed back by the pawl when the two airbag connectors mate.
- Reinstall the airbag connector to the switch plate.
- Reinstall the access panel.



26. Reconnect the negative cable to the battery.
27. Make sure the steering wheel is in the straight-ahead position with the front wheels. If the spoke angle of the steering wheel is not in the straight-ahead position with the front wheels, adjust the front toe as described in the Service Manual.
28. Make sure the horn works.
29. Turn the ignition key on, and verify that the SRS warning light comes on and stays on for 6 seconds. Turn the key off to make sure the SRS warning light goes off.
30. Enter the anti-theft code for the audio and the navigation system (if equipped), then enter the audio presets.
31. Reset the clock (without navigation).