



# INSTALLATION INSTRUCTIONS

Accessory

REAR AERO BUMPER

Application

2009 TSX

Publications No.

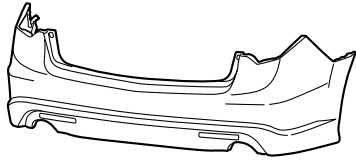
BII 39070

Issue Date

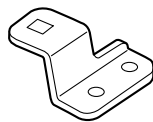
APRIL 2008

## PARTS LIST

Rear aero bumper



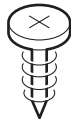
4 Brackets



4 Grommets



4 Self-tapping screws



## TOOLS AND SUPPLIES REQUIRED

Phillips screwdriver

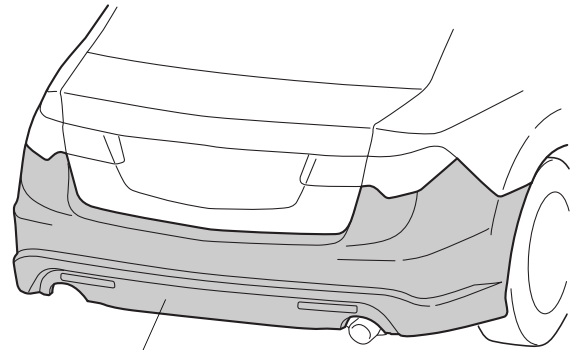
Ratchet

10 mm Socket

Blanket or cardboard

Plastic Trim Tool (T/N SILTRIMTL10)

## Illustration of the Rear Aero Bumper Installed on the Vehicle



REAR AERO BUMPER

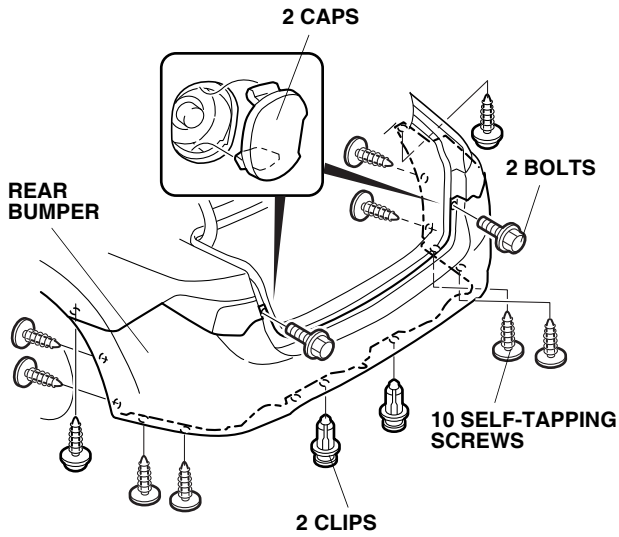
## INSTALLATION

### NOTE:

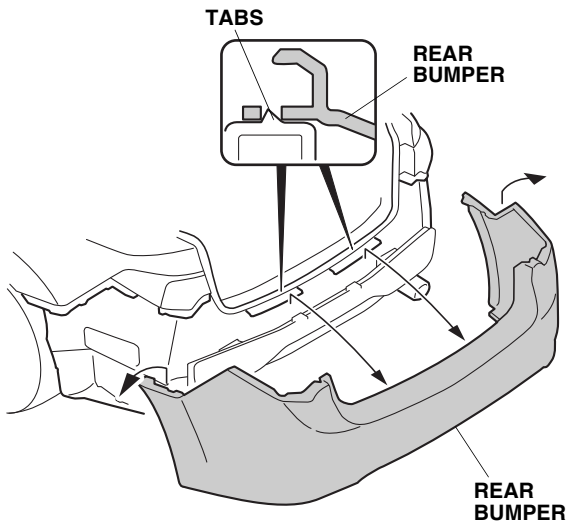
- Be extremely careful not to damage the body or paint.
- To prevent damage, rest the rear bumper on a blanket or cardboard during the installation.

**Client Information:** The information in this installation instruction is intended for use only by skilled technicians who have the proper tools, equipment, and training to correctly and safely add equipment to your vehicle. These procedures should not be attempted by "do-it-yourselfers."

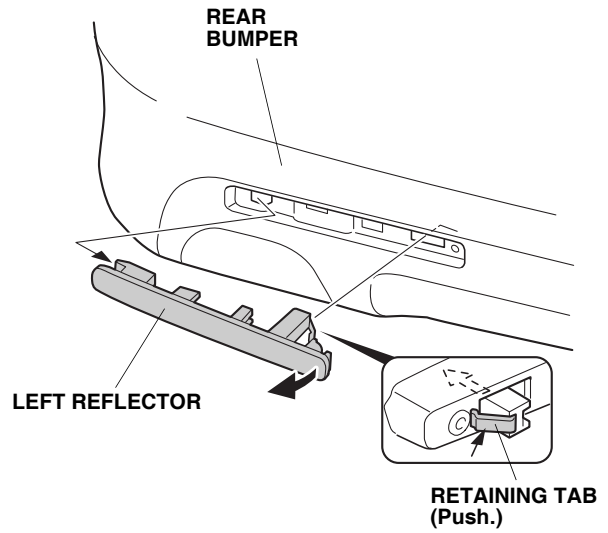
1. Open the trunk lid and remove the two caps and two bolts from the rear bumper.



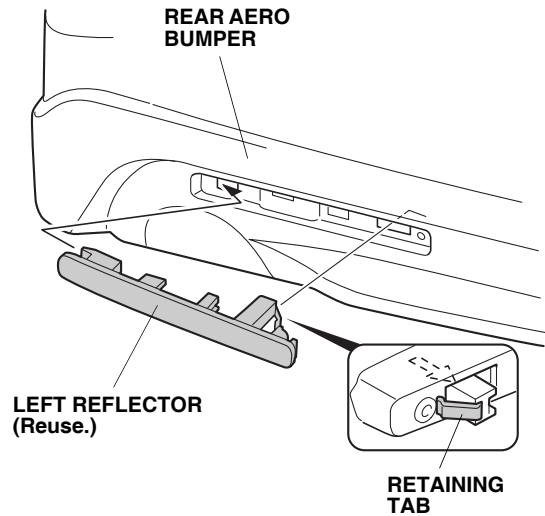
2. Remove the two clips and the ten self-tapping screws from the rear bumper.
3. Remove the rear bumper.
  - Have an assistant help you when removing and installing the rear bumper.
  - Place the rear bumper on the blanket to prevent damage.



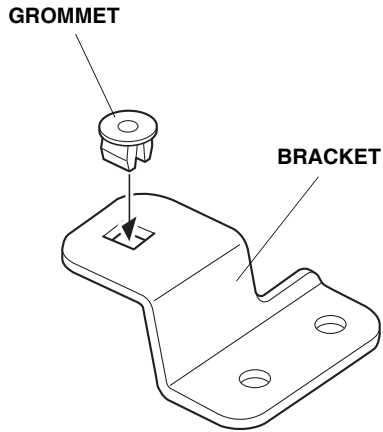
4. Remove the left reflector from the rear bumper (one retaining tab). Remove the right reflector from the right side of the bumper.



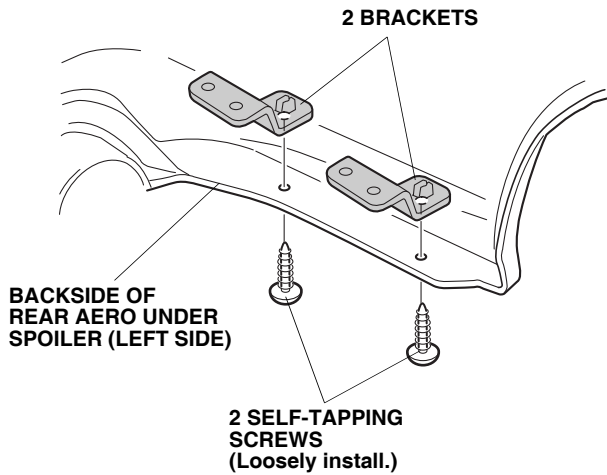
5. Transfer the left and right reflectors to the new aero bumper.



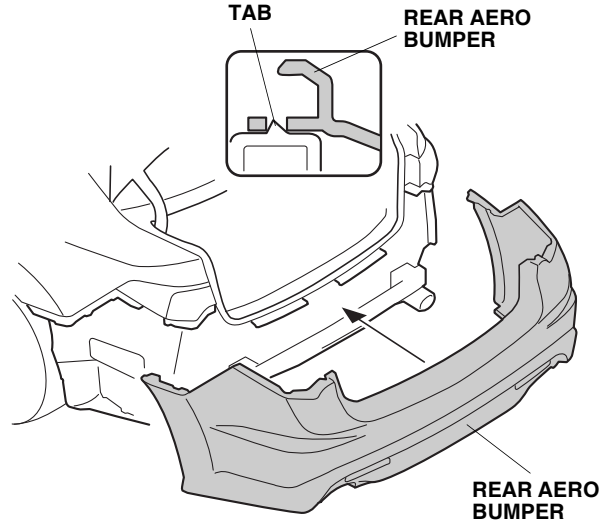
- Install one grommet into each of the four the brackets.



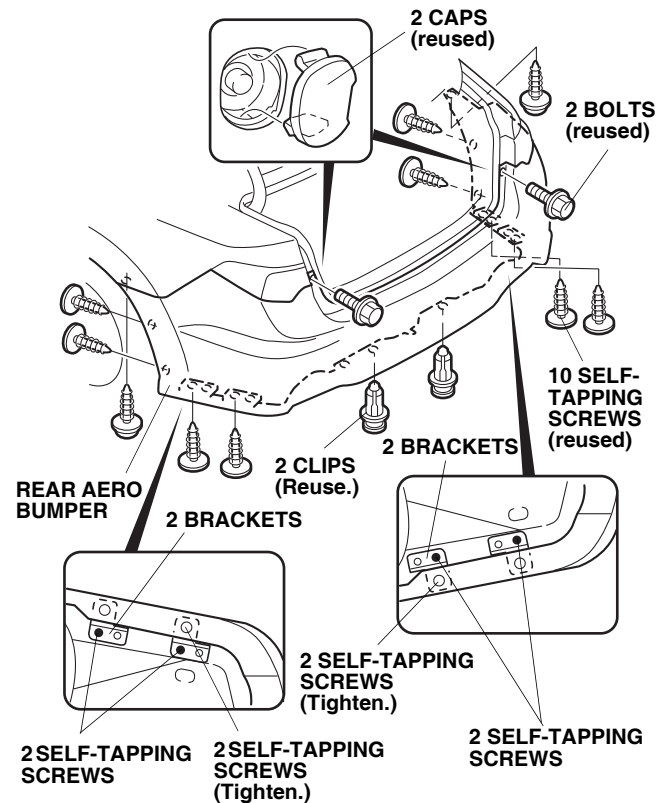
- Loosely install two brackets on the left side of the rear aero bumper using two self-tapping screws. Install two brackets to the right side of the aero bumper the same way.



- Fit the rear aero bumper in place on the vehicle.



- Secure the rear aero bumper to the vehicle by reusing the two bolts, ten self-tapping screws, two clips and the two caps.



- Tighten the four self-tapping installed in step 7.