



# INSTALLATION INSTRUCTIONS

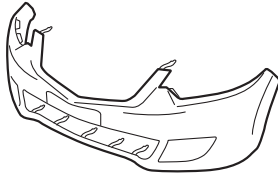
Accessory  
**FULL NOSE MASK**  
P/N 08P35-TL2-200

Application  
**2009 TSX**

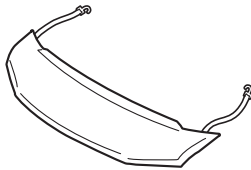
Publications No.  
**BII 39060-39385**  
Issue Date  
**APRIL 2008**

## PARTS LIST

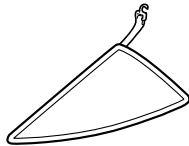
Bumper mask



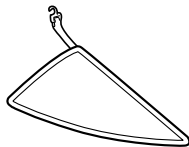
Hood mask



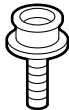
Left fender mask



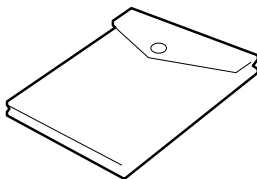
Right fender mask



2 Snap-screws



Storage bag



## TOOLS AND SUPPLIES REQUIRED

Stubby Phillips screwdriver

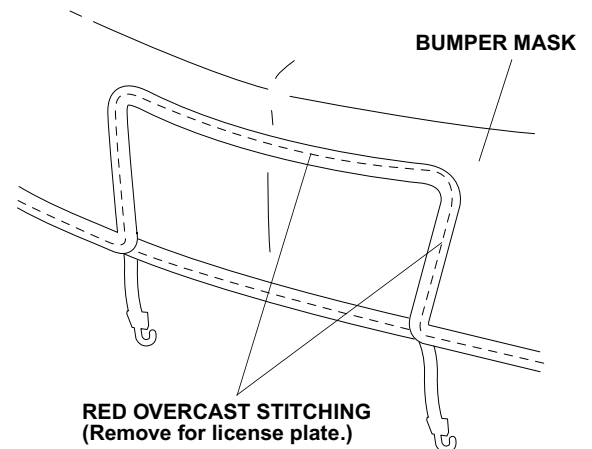
Scissors

## INSTALLATION

**Client Information:** The information in this installation instruction is intended for use only by skilled technicians who have the proper tools, equipment, and training to correctly and safely add equipment to your vehicle. These procedures should not be attempted by “do-it-yourselfers.”

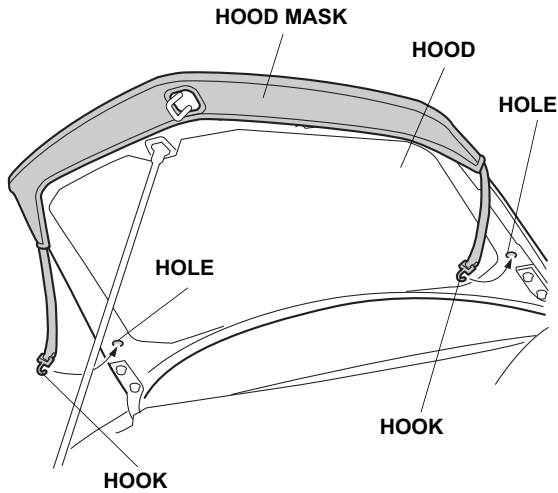
### NOTE:

- Make sure the vehicle and the nose mask are clean and completely dry before installation. If moisture under the mask is allowed to dry, it may cloud the paint. If the mask gets wet, remove it and allow it to air-dry completely.
  - Make sure any repainted surfaces are cured.
  - Make sure the hood and nose of the vehicle have been waxed with a high-quality paste wax.
  - Make sure you install the nose mask securely. If the nose mask starts to flap or comes loose while driving, safely pull off the highway, stop the vehicle, and secure or remove the mask.
1. If your state law requires the display of both license plates, cut out the piece of the bumper mask that covers the front license plate:
    - Face the inside of the mask toward you.
    - Carefully cut out the license plate section with scissors at the top seam, and remove the overcast stitching.



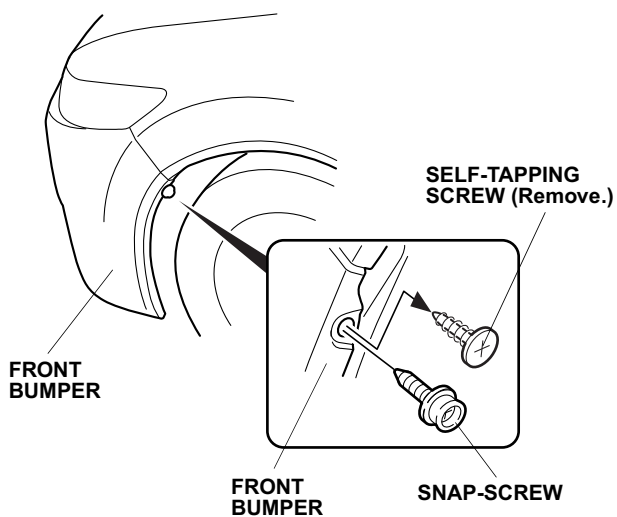
### Installing the Hood Mask

2. Open the hood.
3. Fit the corners of the hood mask around the hood, and adjust the hood mask so that it fits smoothly over the edges.
4. Attach the two hooks to the positions shown.

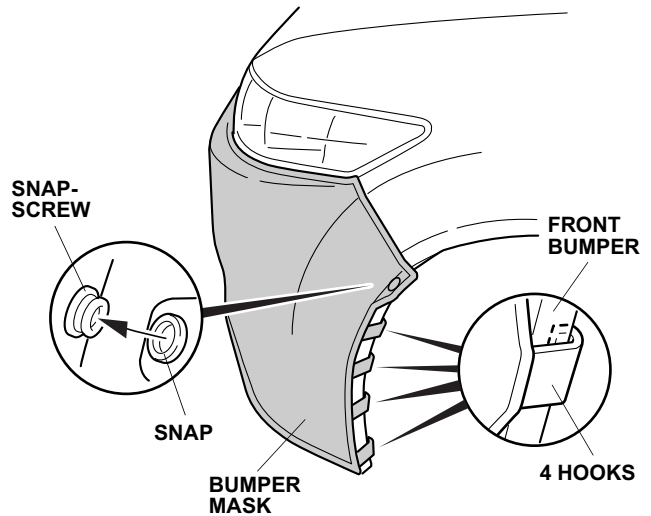


### Installing the Bumper Mask

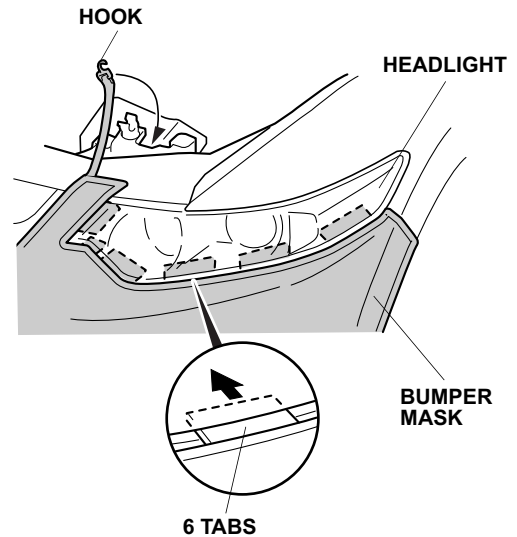
5. Turn the steering wheel all the way clockwise.
6. Remove the self-tapping screw from the indicated position of the front bumper and install the snap-screw in its place.
7. Repeat the same work on the other side.



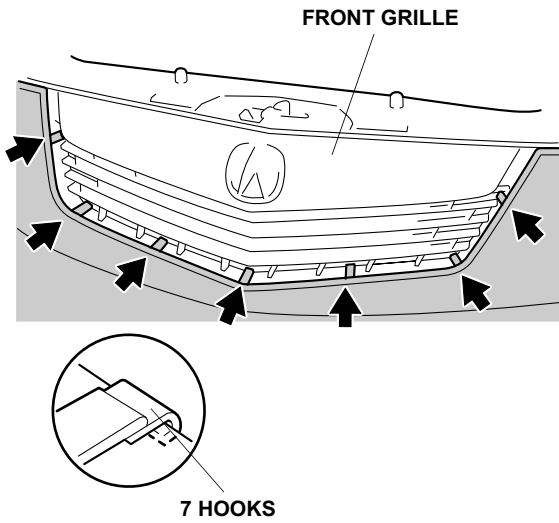
8. Install the four hooks on the front bumper and secure the snap to the snap-screw.
9. Repeat the same work on the other side.



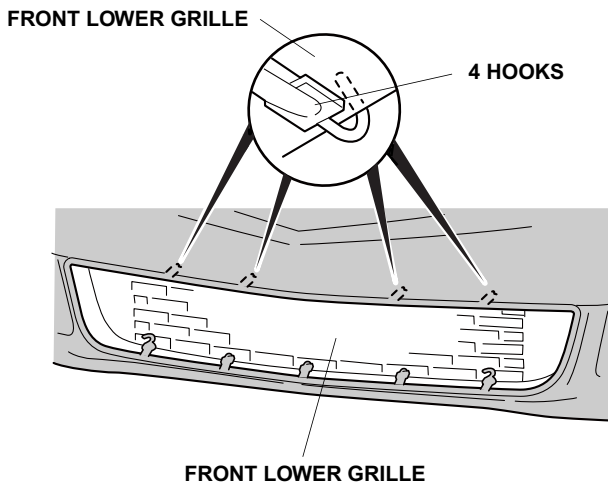
10. Insert the six tabs between the front bumper and the headlight and secure the hook at the indicated position.
11. Repeat the same work on the other side.



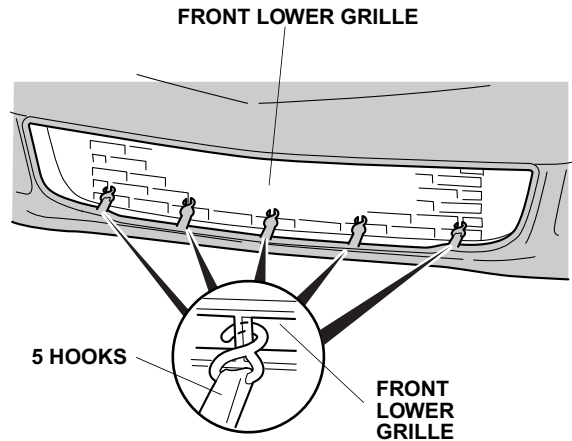
- Secure the seven hooks at the indicated locations to the front grille.



- Secure the four hooks at the indicated locations to the front lower grille.

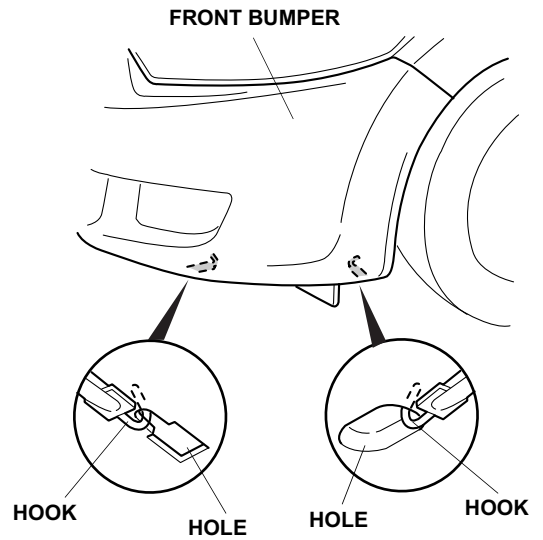


- Secure the five hooks at the indicated locations to the front lower grille.

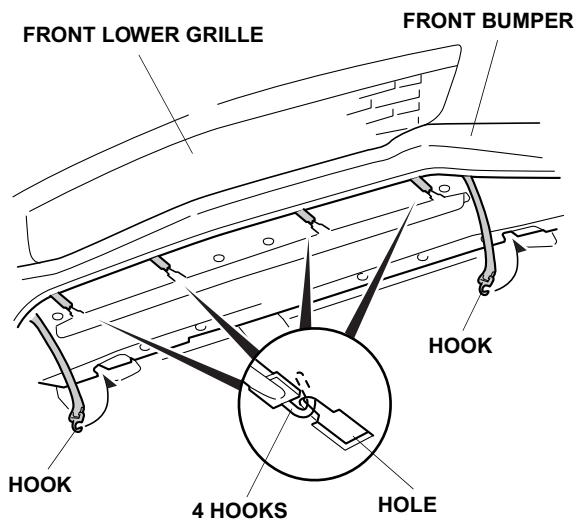


- Secure the two hooks at the indicated locations to the front bumper.

- Repeat the same work on the other side.



- Secure the six hooks at the indicated locations to the front bumper.



## CLEANING THE NOSE MASK

Use a sponge or cloth and a solution of mild liquid dishwashing soap and water to clean the vinyl and the flannel backing. Rinse the mask completely with clean water, and hang it to dry, out of direct sunlight. Make sure the mask is completely dry before you reinstall it.

## Installing the Fender Mask

- Slip the pocket of the left fender mask onto the corners of the left front fender, and attach the hook to the hole in the fender. Insert the two tabs between the left front fender and the headlight.
- Repeat the same work on the other side.

