



# INSTALLATION INSTRUCTIONS

Accessory  
**CLEAR DOOR EDGE FILM**  
P/N 08P20-TK4-200A

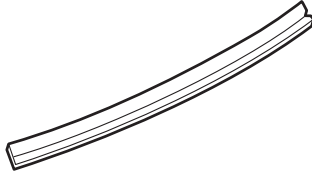
Application  
**2009 TL**

Publications No.  
**BII 39485-40597**

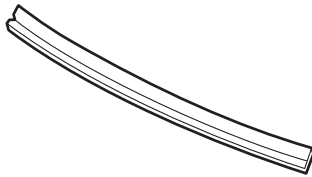
Issue Date  
**SEP 2008**

## PARTS LIST

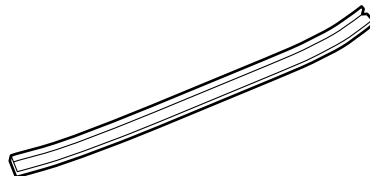
Right front door edge film



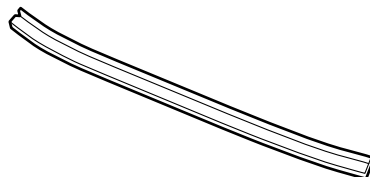
Left front door edge film



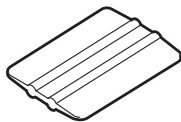
Right rear door edge film



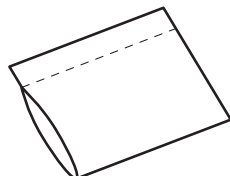
Left rear door edge film



Applicator



Soft sleeve



Alcohol pad



## TOOLS AND SUPPLIES REQUIRED

Tape measure

Lint-free shop towel

Spray bottle

3M Protective tape application solution

## INSTALLATION

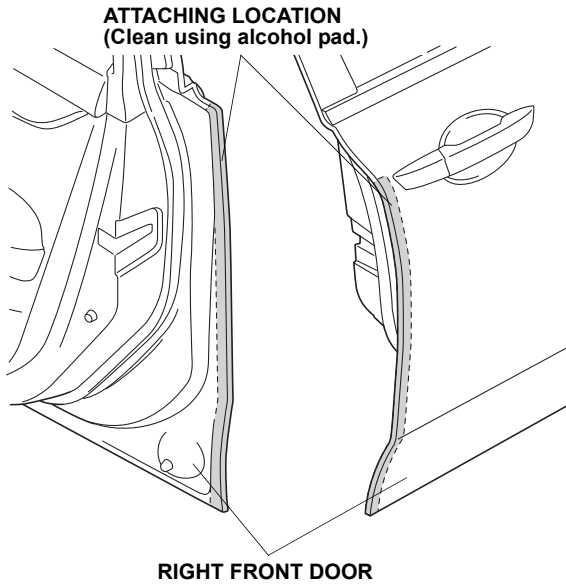
**Customer Information:** The information in this installation instruction is intended for use only by skilled technicians who have the proper tools, equipment, and training to correctly and safely add equipment to your vehicle. These procedures should not be attempted by "do-it-yourselfers."

### NOTE:

- If you are also installing body side molding (sold separately), install them before you install the clear door edge film.
- Be careful not to damage the body paint finish.
- These installation instructions show the right door edge films being installed. The same procedure applies to installing the left door edge films.
- Identify each door edge film by referring to the identification marks.
- The door edge films should be installed only if the ambient air temperature is 15°C (60°F) or above.
- To allow the adhesive to cure, do not wash the vehicle for 24 hours.

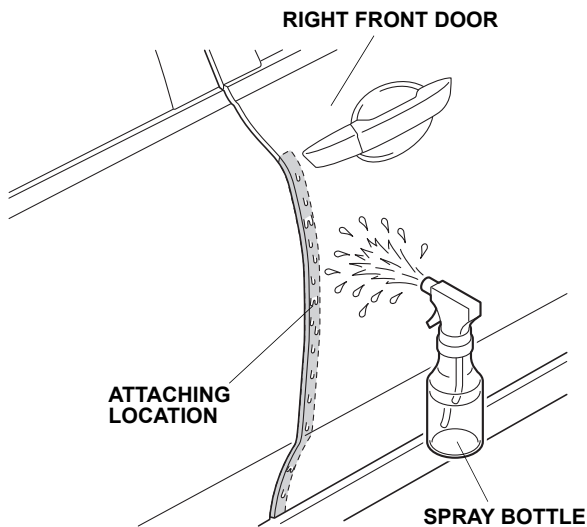
## Installing the Front Door Edge Film

1. Open the right front door. Using an alcohol pad, thoroughly clean the area where the right front door edge film will attach.

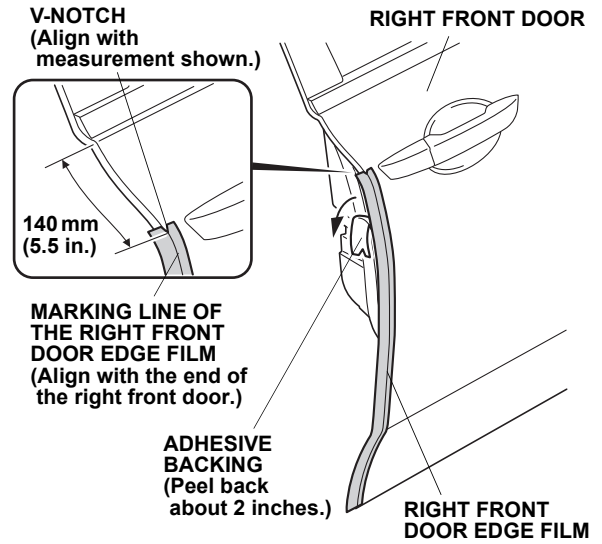


2. Close the front door. Using a spray bottle with 3M protective tape application solution, spray the area where the right front door edge film will attach.

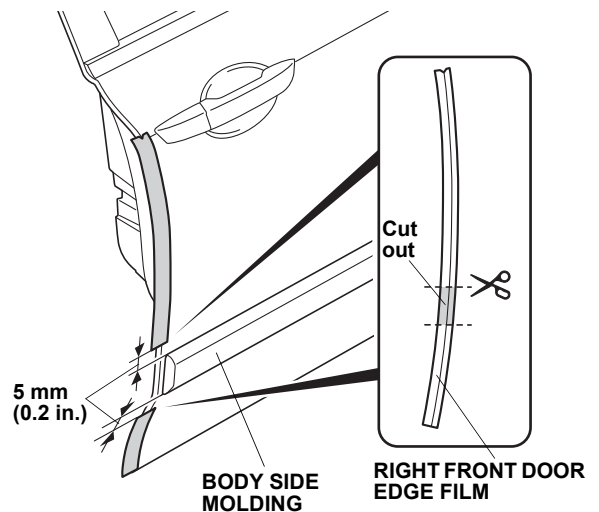
NOTE: Do not spray inside of the door where the door edge film will attach.



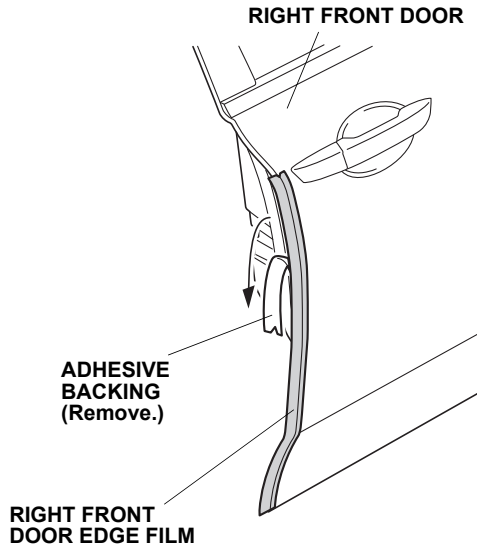
3. Open the right front door again. Measure 140 mm (5.5 in.) down from the bottom of the door glass outer weatherstrip, and mark the door.



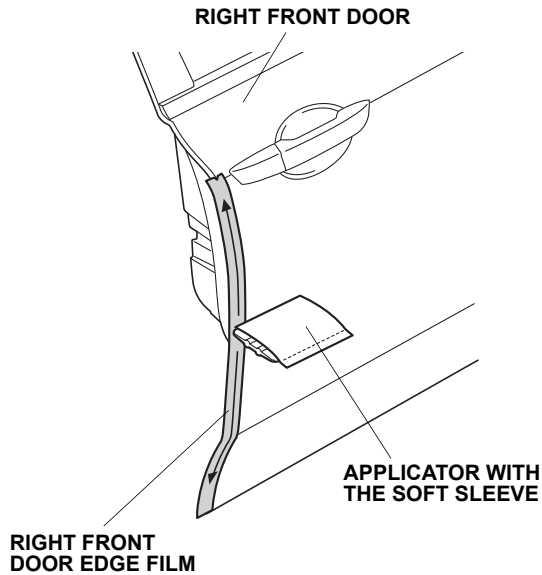
4. Peel back about 2 inches of adhesive backing from the right front door edge film. Align the V-notch in the door edge film with at 140 mm (5.5 in.) mark on the door.
5. If the vehicle is equipped with body side molding, cut out the marked area of the **front** door edge film, and allow 5 mm clearance between the body side molding and the door edge film.



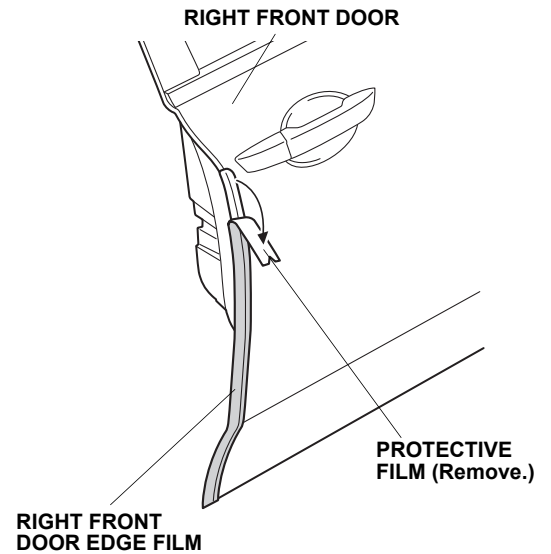
- Continue to remove the adhesive backing while you align the centerline on the door edge film with the edge of the door.



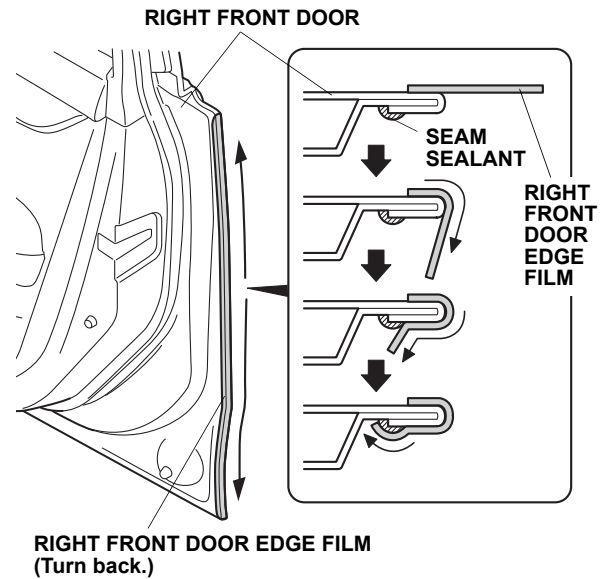
- Insert the applicator into the soft sleeve. Starting in the middle of the door edge film and working outward, use the applicator to smooth out any bubbles from the film. To avoid lifting the film, move the applicator only in one direction.



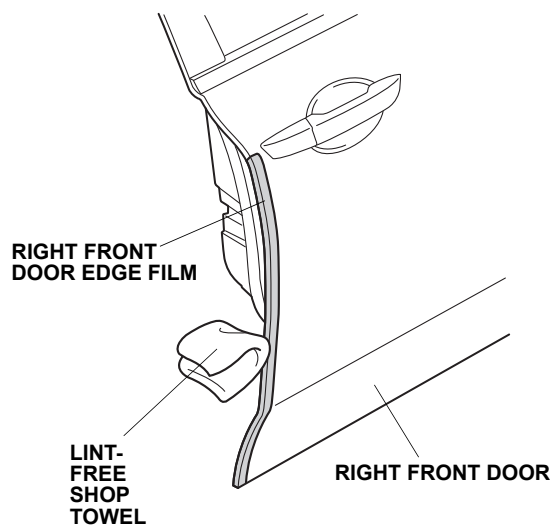
- When you are satisfied that the door edge film is firmly attached to the edge of the door, slowly remove the outer protective film.



- Starting in the middle of the door edge film and working outward, fold the door edge film around the door edge using your fingers. Move your finger in one direction. Attach the film over the seam sealant. Do not trim or damage the seam sealant.



- Using a lint-free shop towel, wipe up water from the right front door edge film. Allow the right front door edge film to dry thoroughly.



- Repeat steps 1 thru 10 to install the remaining three door edge films to the other doors.