

## PARTS LIST

Left front splash guard



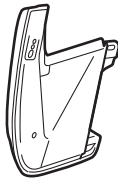
Right front splash guard



Left rear splash guard



Right rear splash guard



4 Spring nuts



12 Self-tapping screws



## TOOLS AND SUPPLIES REQUIRED

Stubby Phillips screwdriver

Pushpin

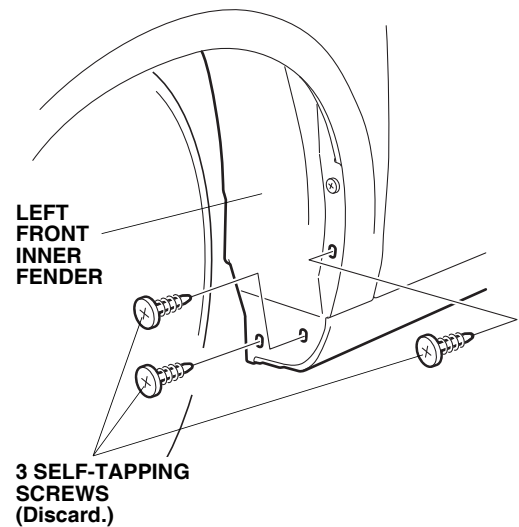
## INSTALLATION

### NOTE:

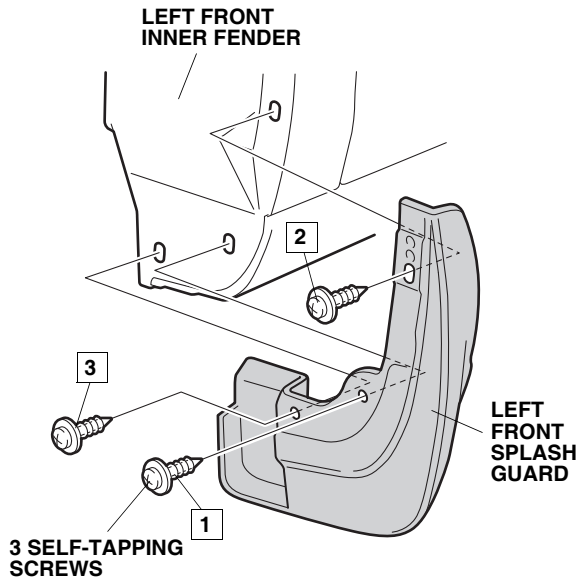
Clean and wax the area to be covered. Use a high-quality paste wax.

### Installing the Front Splash Guards

1. Turn the steering wheel all the way counterclockwise.
2. Remove the three self-tapping screws from the left front inner fender.

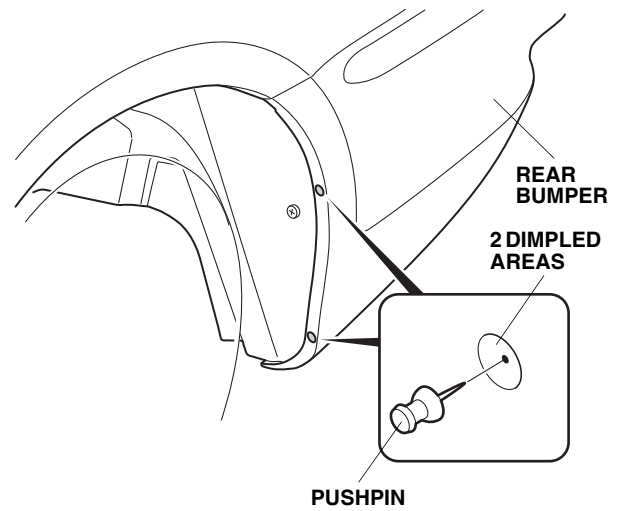


- Position the left front splash guard on the left front inner fender, and tighten the three self-tapping screws in the order shown.
- Turn the steering wheel all the way clockwise, and repeat steps 2 and 3 to install the right front splash guard.

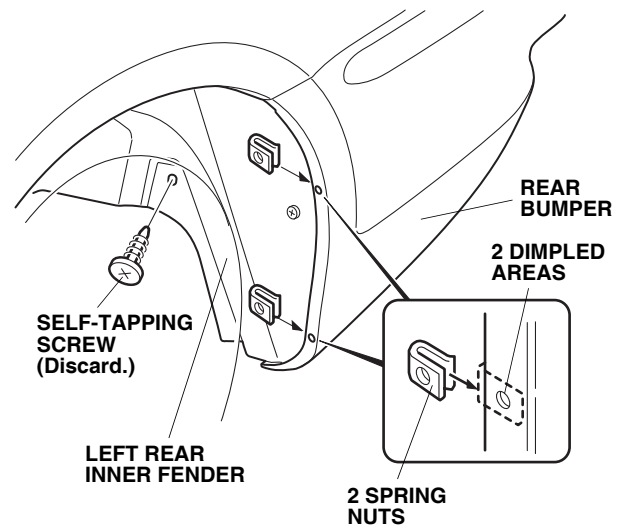


### Installing the Rear Splash Guards

- Using a pushpin, pierce the center of the two dimpled areas in the rear bumper.



- Remove the one self-tapping screw from the left rear inner fender.
- Slide two spring nuts over the dimpled areas of the rear bumper.



8. Position the left rear splash guard on the rear bumper and left rear inner fender, and tighten the three self-tapping screws in the order shown.
9. Repeat steps 5 thru 8 to install the right rear splash guard.

