



INSTALLATION INSTRUCTIONS

Accessory
SNOWBOARD ATTACHMENT
P/N 08L03-STK-100

Application
2009 RDX

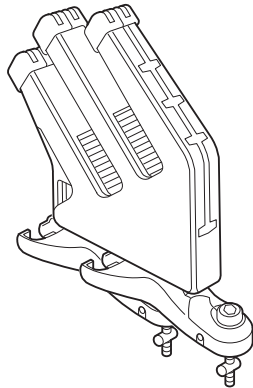
Publications No.
BII 39554

Issue Date
MAY 2008

Put this information in the glove box with the vehicle owner's manual.

PARTS LIST

2 Snowboard carriers



4 Bottom clamps



16 Rubber blocks



4 Torx screws



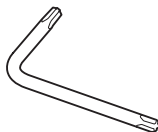
4 Board supports



2 Keys



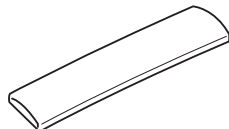
TORX wrench



2 Locking cables



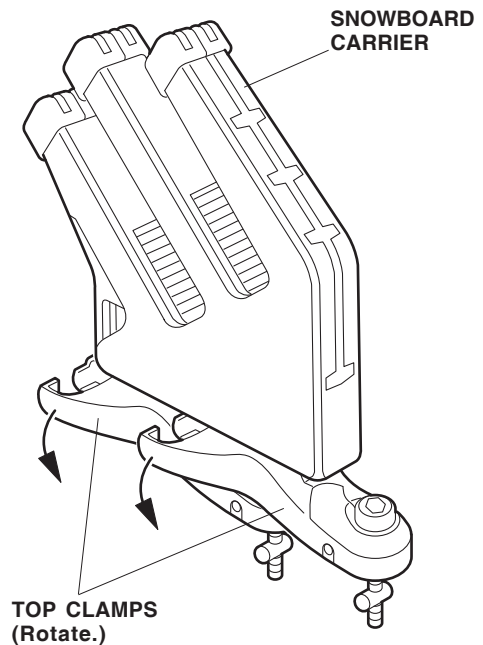
2 Board protectors



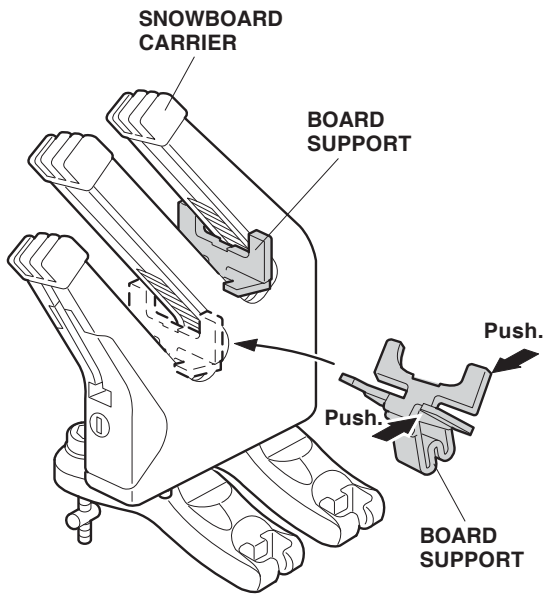
INSTALLATION

NOTE: Be careful not to damage the body paint finish. The snowboard attachment is designed to be used exclusively with an Acura roof rack, which is sold separately. If the vehicle is not equipped with a roof rack, install a roof rack before installing the snowboard attachment.

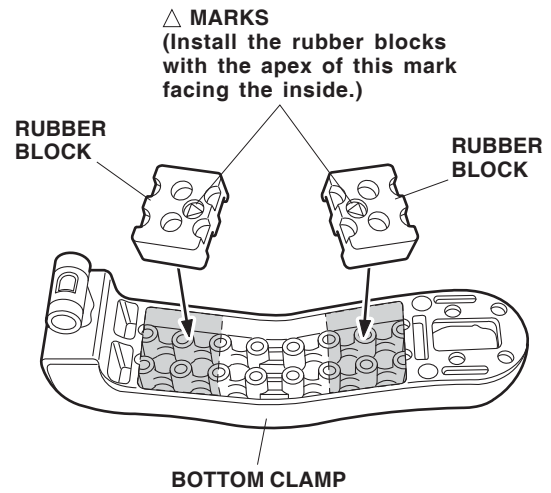
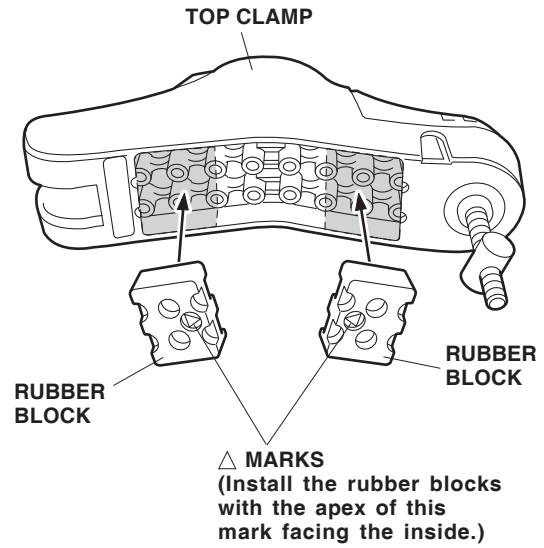
1. Rotate the two top clamps of the snowboard carrier perpendicular to the snowboard carrier.



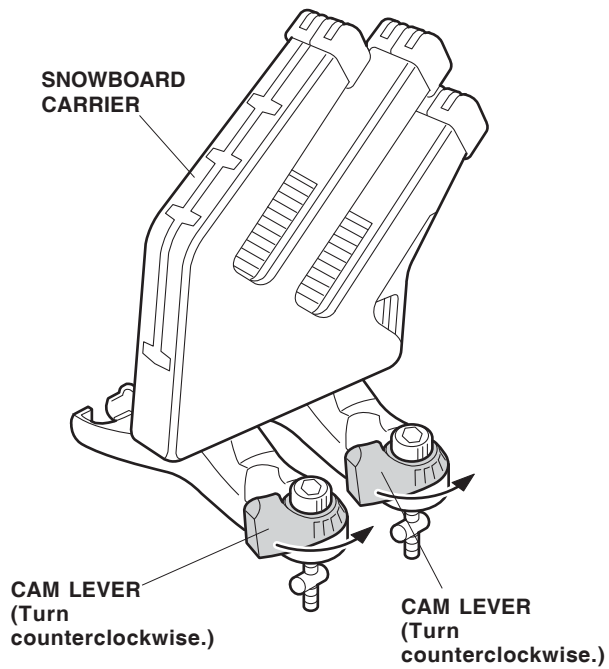
2. Install two board supports on the snowboard carrier.



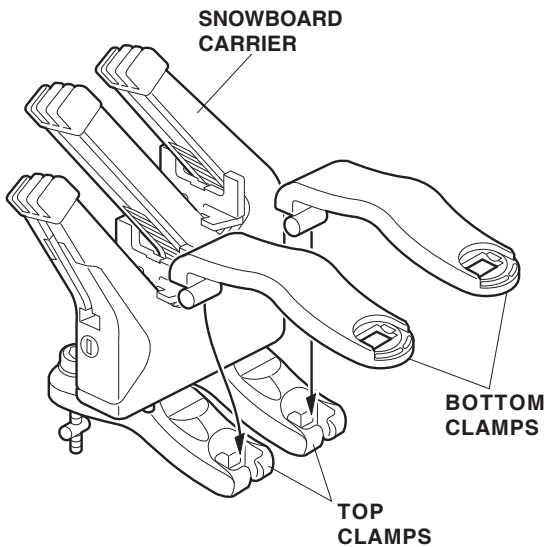
3. Install four rubber blocks on the top and bottom clamps. Install the rubber blocks with the apex of each triangular mark "△" facing the inside.



- Turn the cam levers on the top clamp counterclockwise.

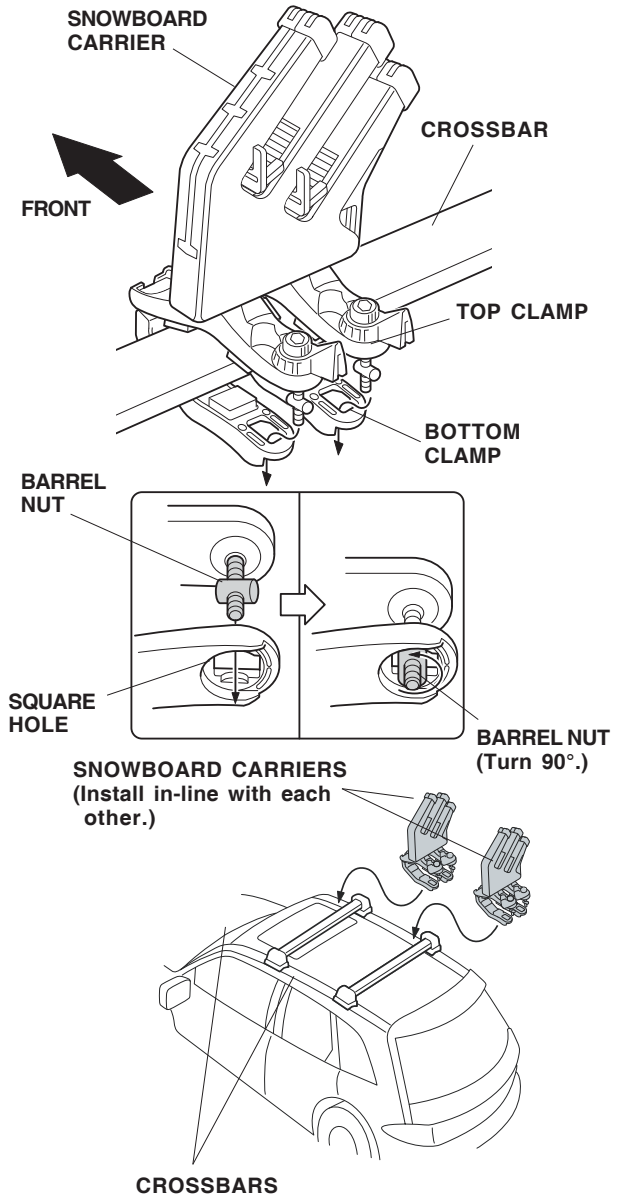


- Attach the two bottom clamps to the two top clamps.

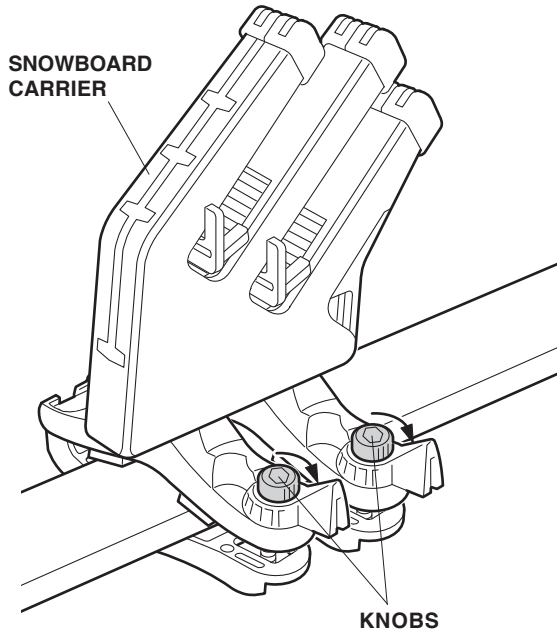


- Repeat steps 1 thru 5 to assemble the other carrier.

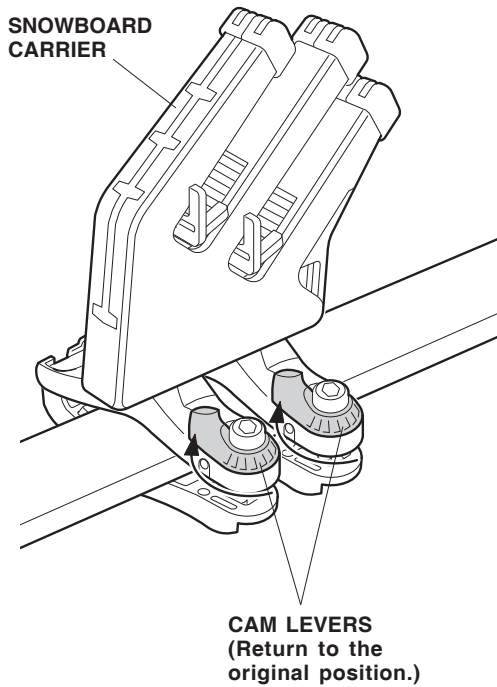
- Attach one carrier to the front crossbar in the direction shown. Insert the barrel nuts on the top clamp into the square holes in the bottom clamp, and turn the nuts 90° to lock them into position. Install the other carrier to the rear crossbar using the same procedure. Make sure the rear snowboard carrier is in-line with the front snowboard carrier.



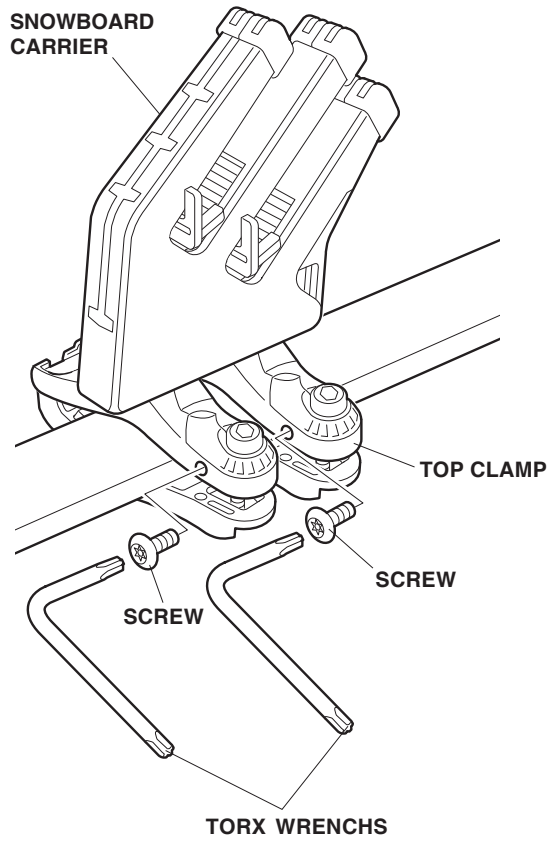
8. Turn the knobs on the top clamp to tighten the front carrier.



9. Return the cam levers to their original positions (turn clockwise).

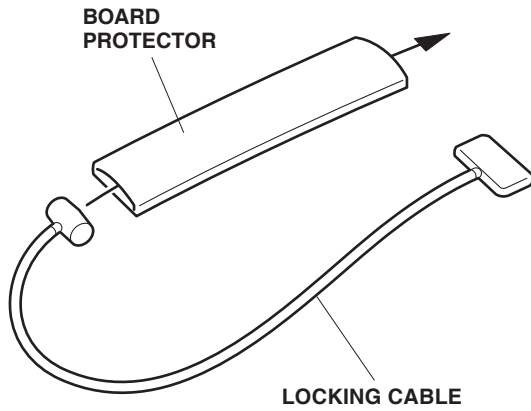


10. To deter theft, install the screws in the holes in the top clamps.

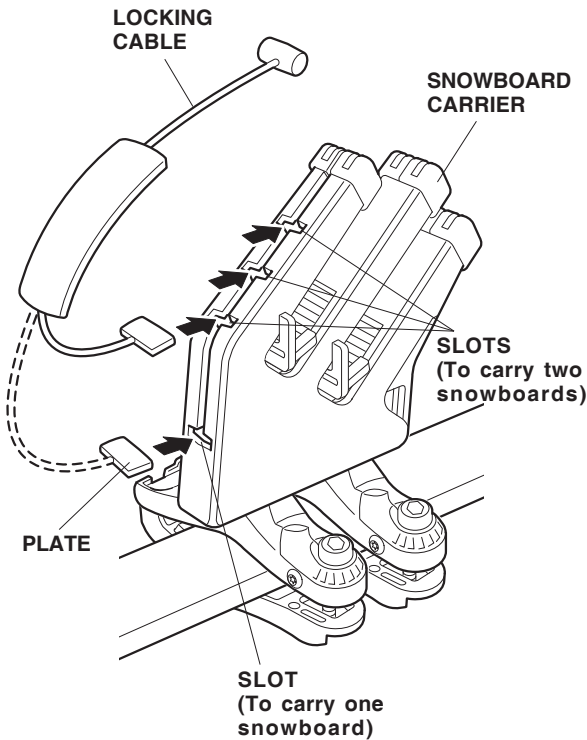


11. Repeat steps 8 thru 10 to tighten the other carrier.
12. Grab the carriers and make sure they are securely installed.

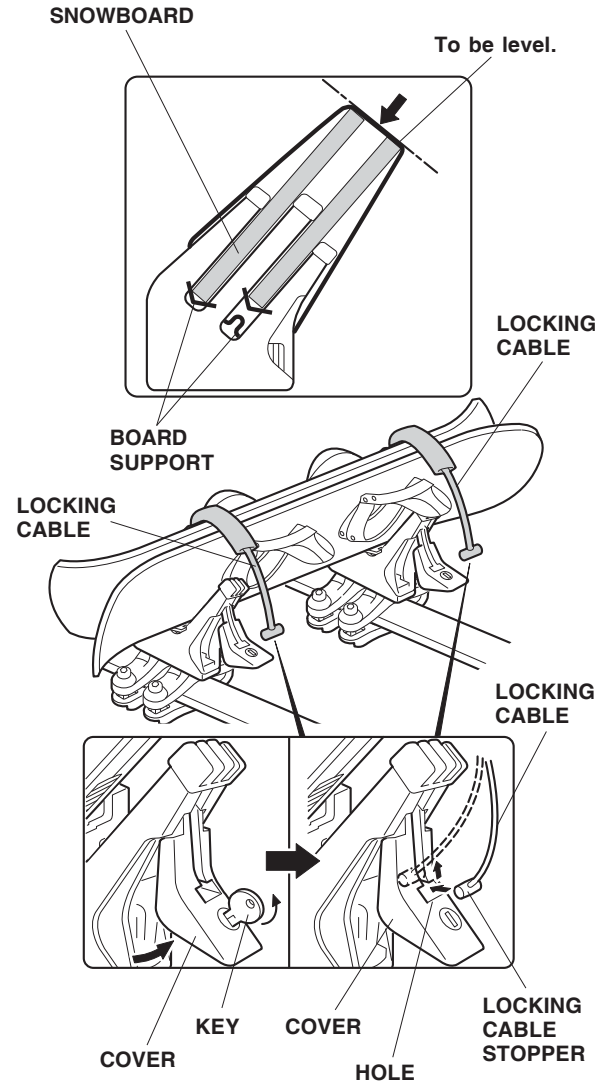
13. Thread one locking cable through each board protector.



14. Insert the locking cable plate into the slot in the snowboard carrier. To carry one snowboard, insert the plate into the lowest slot. To carry two snowboards, use one of the upper three slots in the carrier.



15. After loading the snowboards on the carrier, adjust them with the help of the board supports so that the top edges are level and the boards are as far down in the carrier as possible. To secure the snowboards, use the key to open the covers, and insert the locking cable stoppers into the holes in the carrier covers.



16. Check that the locking cables are installed securely, then close the covers.
17. The cover must be locked during transportation.

