



ACURA

**INSTALLATION
INSTRUCTIONS**

Accessory

**RUNNING BOARDS
P/N 08L33-STK-200**

Application

2009 RDX

Publications No.

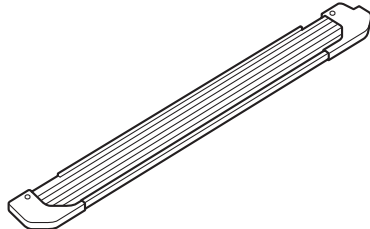
BII 39557

Issue Date

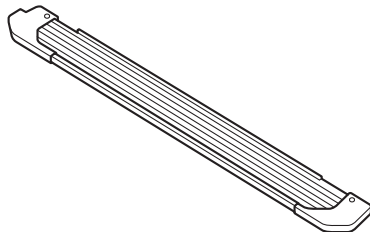
MAY 2008

PARTS LIST

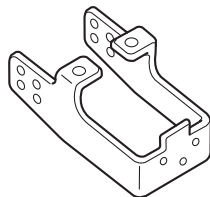
Right running board



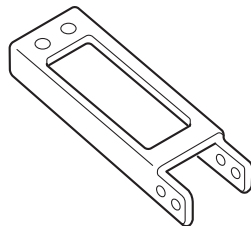
Left running board



4 Brackets A



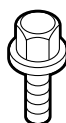
4 Brackets B



16 Flange nuts, 8 mm



44 Flange bolts, 8 x 20 mm



TOOLS AND SUPPLIES REQUIRED

Ratchet

13 mm Socket

Extension

13 mm Combination wrench

Blanket

INSTALLATION

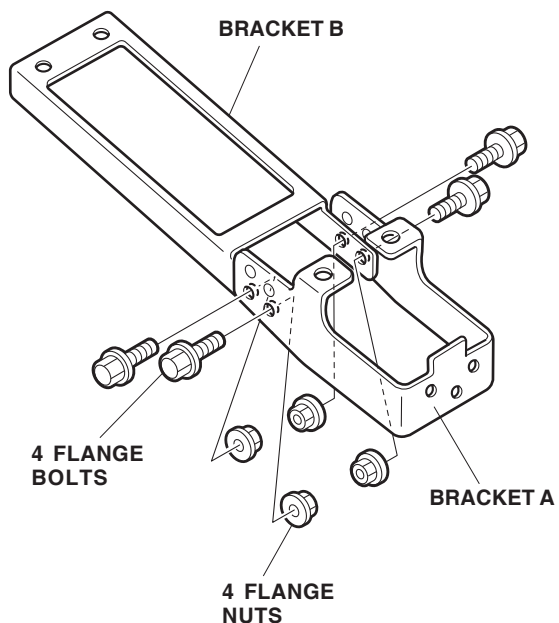
Client Information: The information in this installation instruction is intended for use only by skilled technicians who have the proper tools, equipment, and training to correctly and safely add equipment to your vehicle. These procedures should not be attempted by “do-it-yourselfers”.

NOTE:

- Thoroughly clean the bottom of the body from the rear of the front wheels forward to the front of the rear wheels.
- Be careful not to damage the body paint finish. To prevent damage, place a blanket under the running board during the installation.

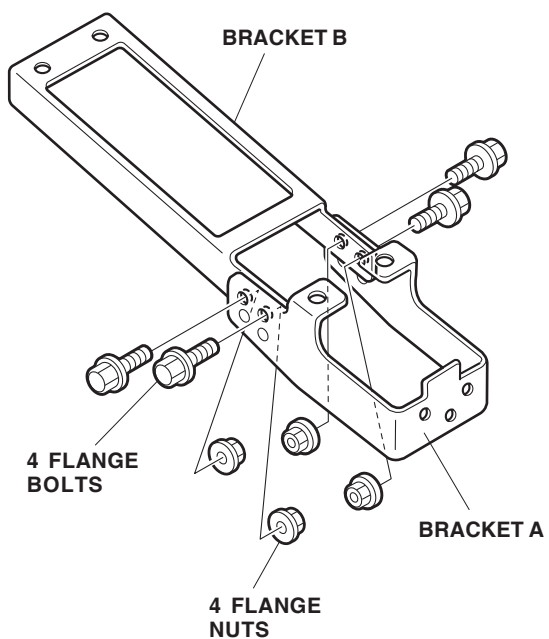
Front Bracket Assembly

1. Using brackets A and B, loosely assemble two front bracket assemblies, and install four flange bolts and four flange nuts. Make sure to use the lower holes in bracket A.

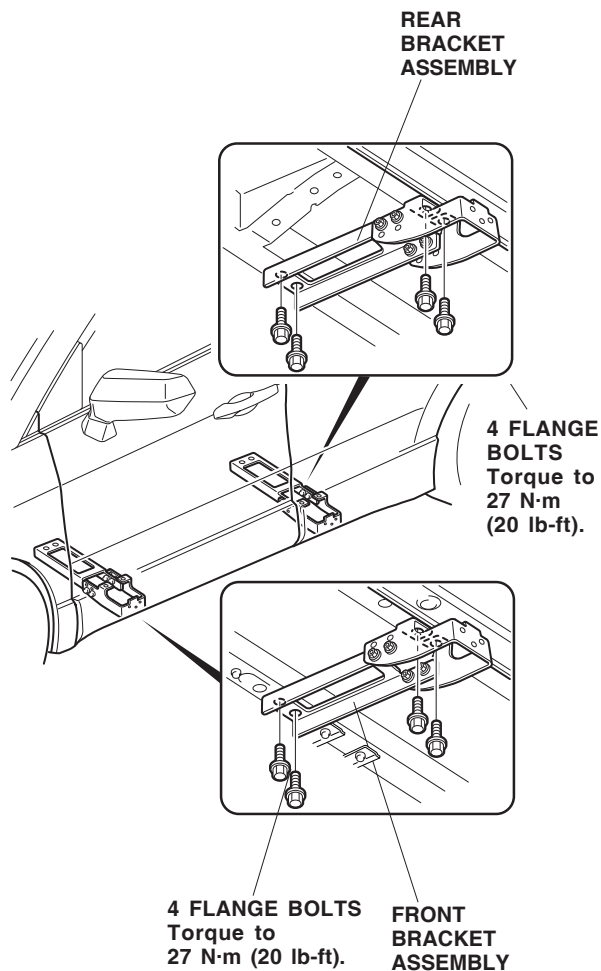


Rear Bracket Assembly

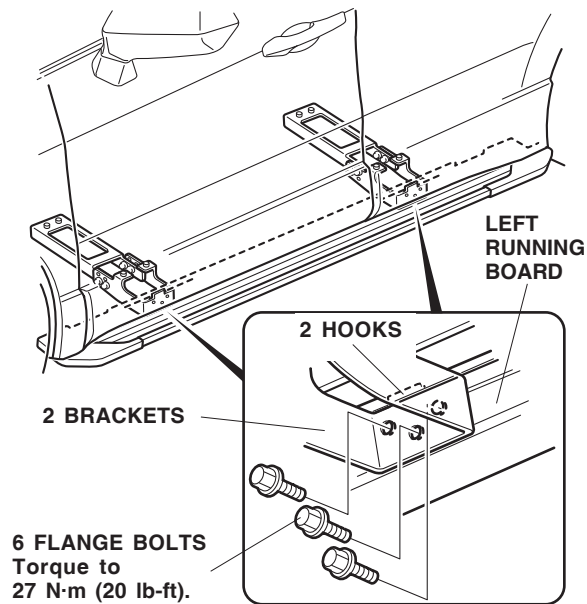
2. Using brackets A and B, loosely assemble two rear bracket assemblies, and install four flange bolts and four flange nuts. Make sure to use the upper holes in bracket A.



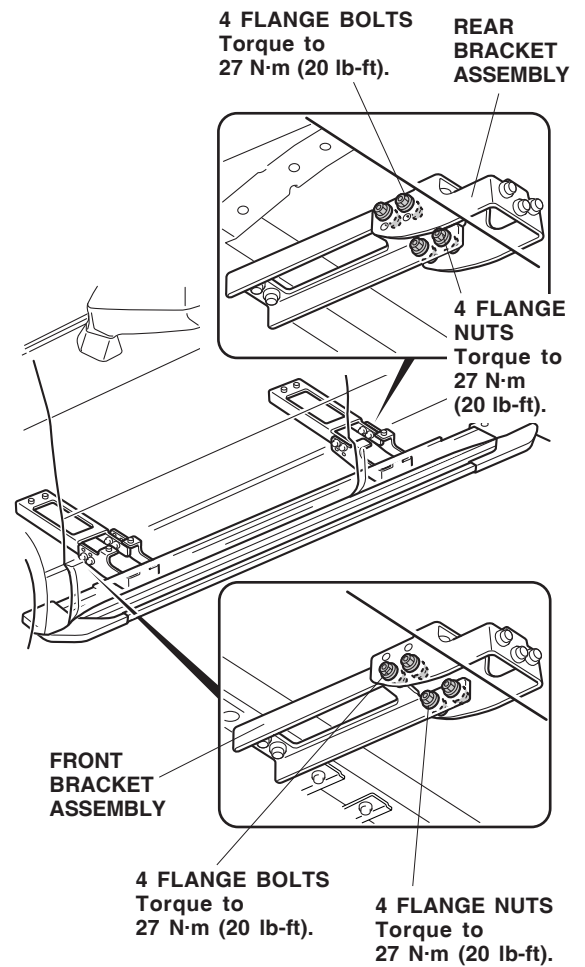
3. Position the front bracket assembly and rear bracket assembly at the respective installation positions of the vehicle. Install the front and rear bracket assemblies on the vehicle using four flange bolts. Torque the flange bolts to 27 N·m (20 lb-ft).



- Place the left running board (marked driver's side) on the hook of each bracket. Align the holes in the left running board with the holes in the brackets and install the left running board using six flange bolts. Torque the flange bolts to 27 N·m (20 lb-ft).



- Torque the flange bolts and flange nuts (from steps 1 and 2) to 27 N·m (20 lb-ft).



- Check that all the flange bolts and nuts are tightened securely.
- Repeat steps 3 thru 6 to install the right running board on the right side of the vehicle.