



# ACURA INSTALLATION INSTRUCTIONS

Accessory

**CARGO LINER**  
P/N 08P42-STK-200

Application

**2009 RDX**

Publications No.

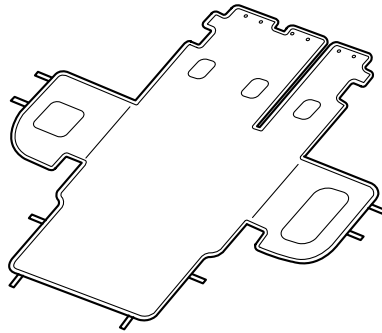
**BII 39538**

Issue Date

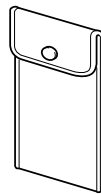
**MAY 2008**

## PARTS LIST

Cargo liner



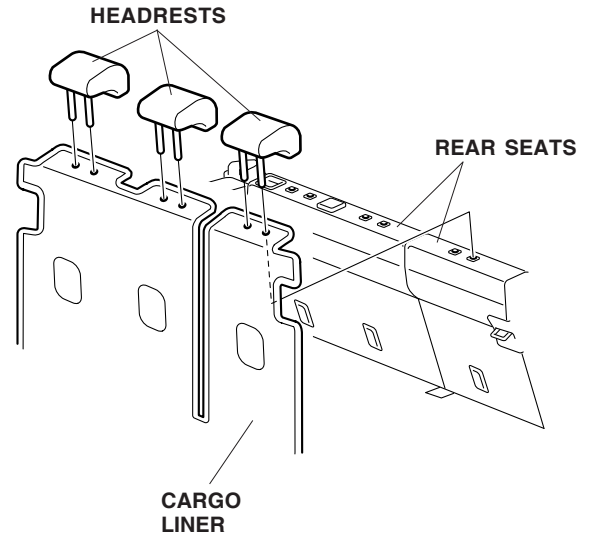
Bag



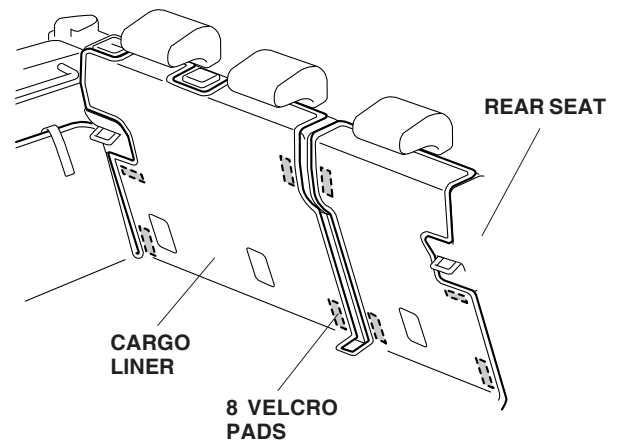
## INSTALLATION

NOTE: Be careful not to damage the body.

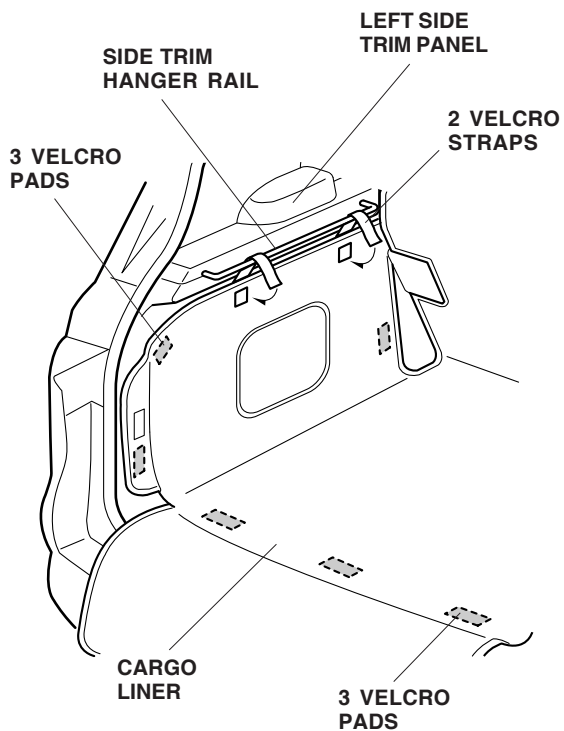
1. Remove the rear seat headrests by pushing the release buttons and lifting the headrests.



2. Install the cargo liner over the rear seats, then reinstall the headrests.
3. Position the cargo liner on the rear seats and attach the eight velcro pads to the rear seats securely.

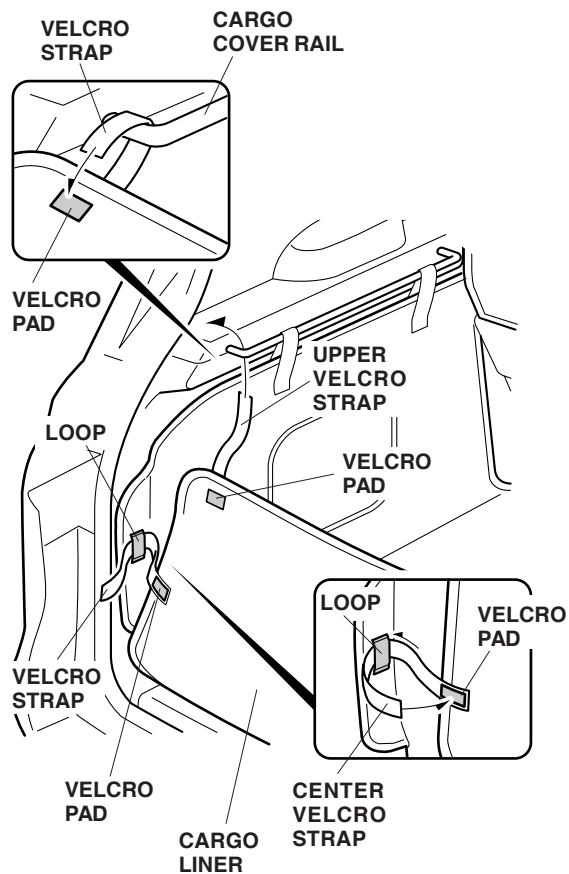


- Position the cargo liner on the left side trim panel and attach the three velcro pads to the left side trim panel. Route the two velcro straps around the side trim hanger rail and attach them to the cargo liner securely.



- Repeat on the right side to install the cargo liner to the right side trim panel.
- Align the three velcro pads from the cargo liner with the attachment positions on the cargo area floor and attach the velcro pads.

- Raise the cargo liner upright and route the velcro strap through the loop in the cargo liner and attach the strap to the velcro pad.



- Route the upper velcro strap around the cargo cover rail and attach them to the cargo liner securely.
- Repeat steps 7 and 8 to attach the straps on the right side.