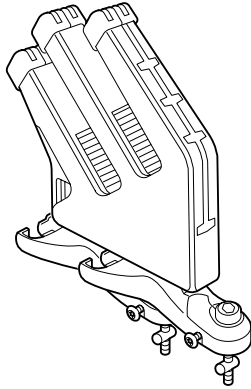


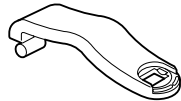
Accessory	Application	Publications No. BII 39886
		Issue Date JULY 2008
SNOWBOARD ATTACHMENT	2009 MDX	

PARTS LIST

2 Snowboard carriers



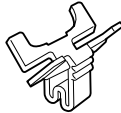
4 Bottom clamps



16 Rubber blocks



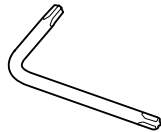
4 Board supports



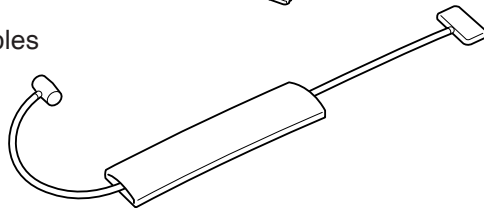
2 Keys



TORX wrench



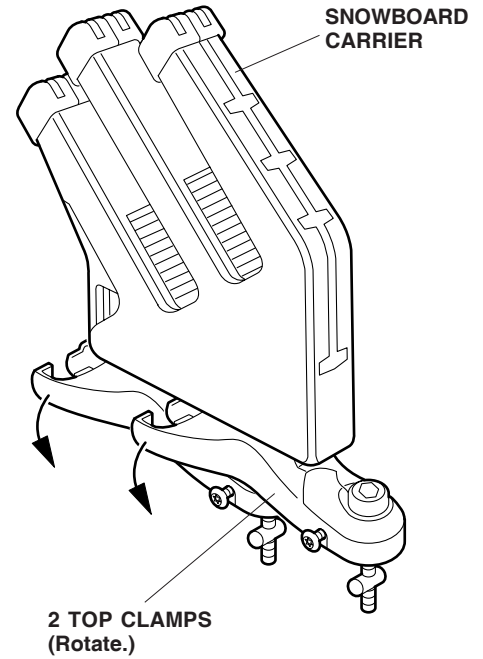
2 Locking cables



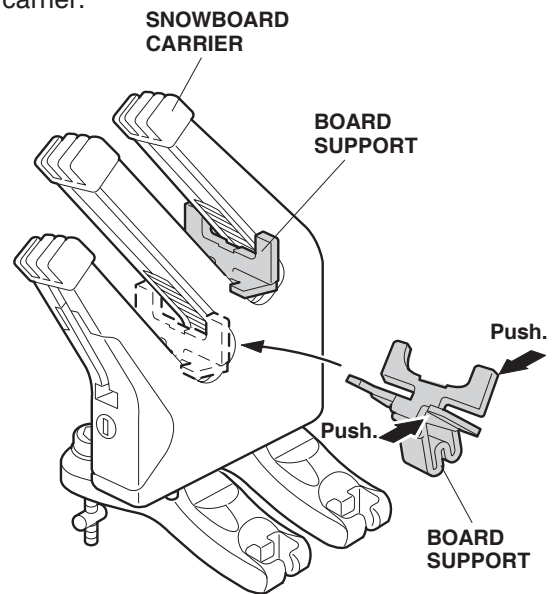
INSTALLATION

NOTE: Be careful not to damage the body paint finish.

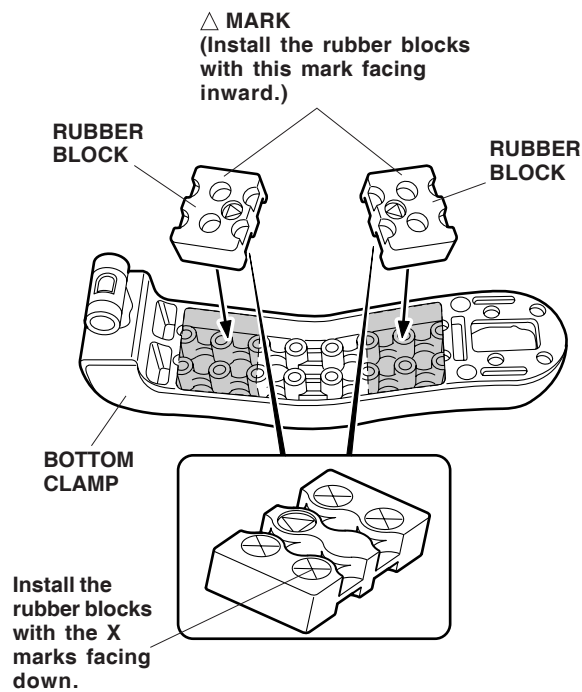
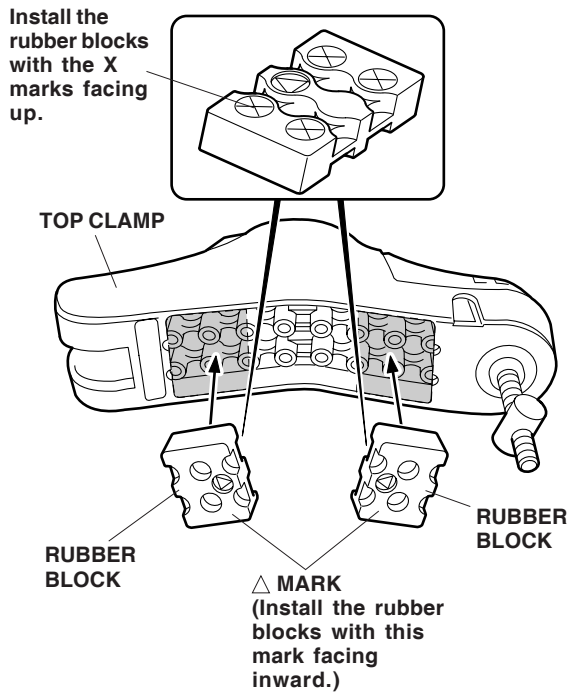
1. Rotate the two top clamps of the snowboard carrier perpendicular to the snowboard carrier.



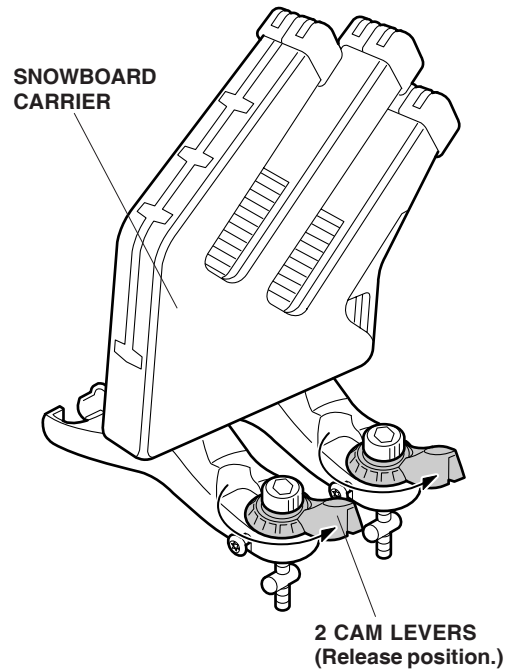
2. Install two board supports to the snowboard carrier.



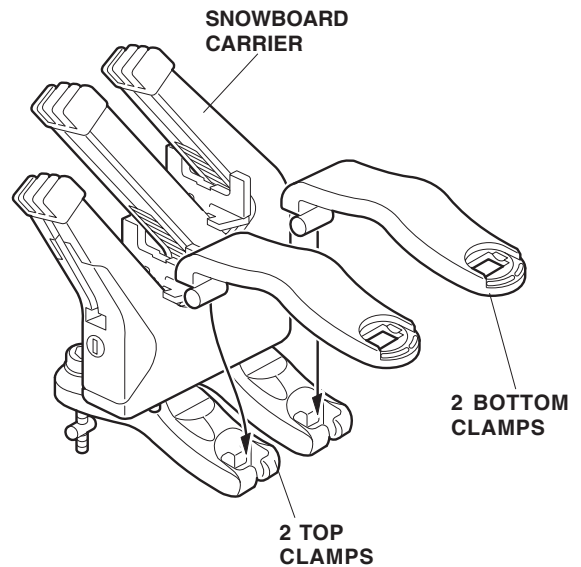
3. Install four rubber blocks on the top clamps and two bottom clamps. Install the rubber blocks with the triangular marks (△) facing the inside.



4. Turn the two cam levers on the top clamp counterclockwise.

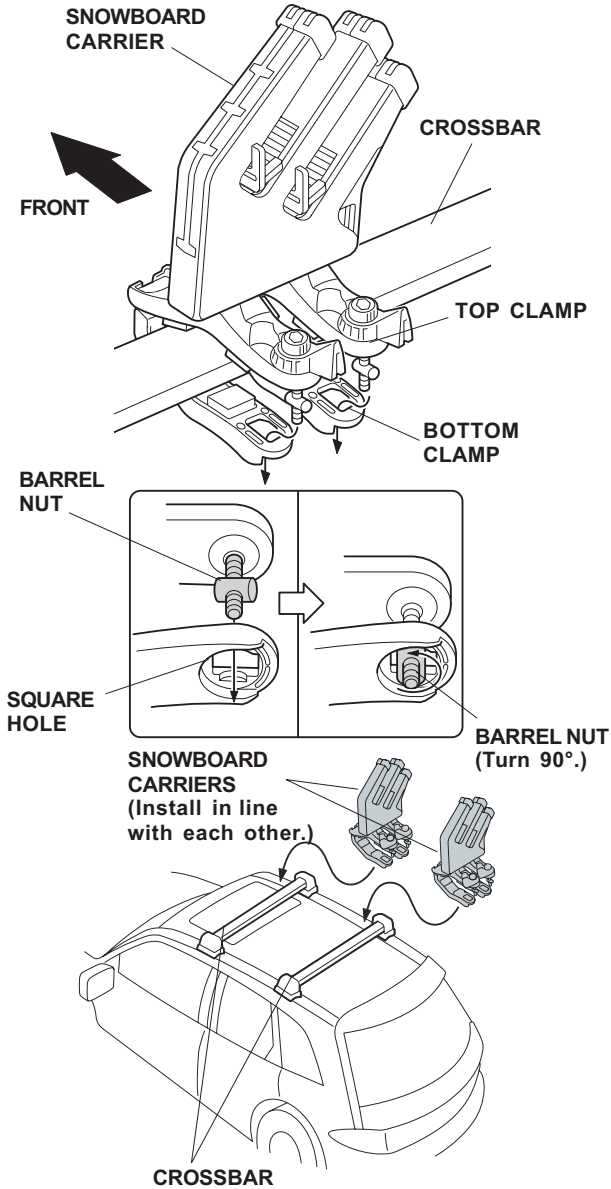


5. Attach the two bottom clamps to the two top clamps.

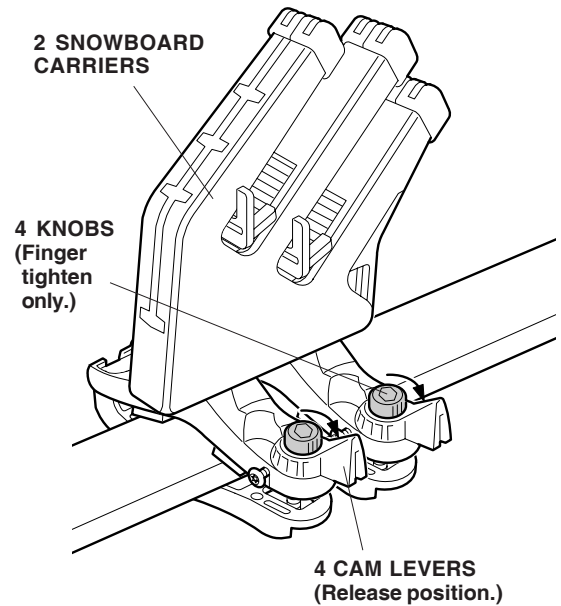


6. Repeat steps 1 thru 5 to assemble the other carrier.

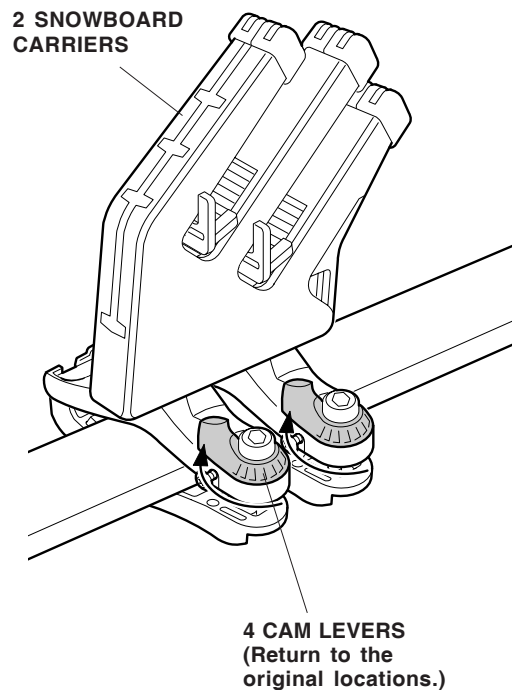
- Attach the two snowboard carriers to the two crossbars of the roof rack, between the top and bottom clamps as shown. Insert the four barrel nuts of the four top clamps into the four square holes in the bottom clamps, then turn the four barrel nuts 90°.



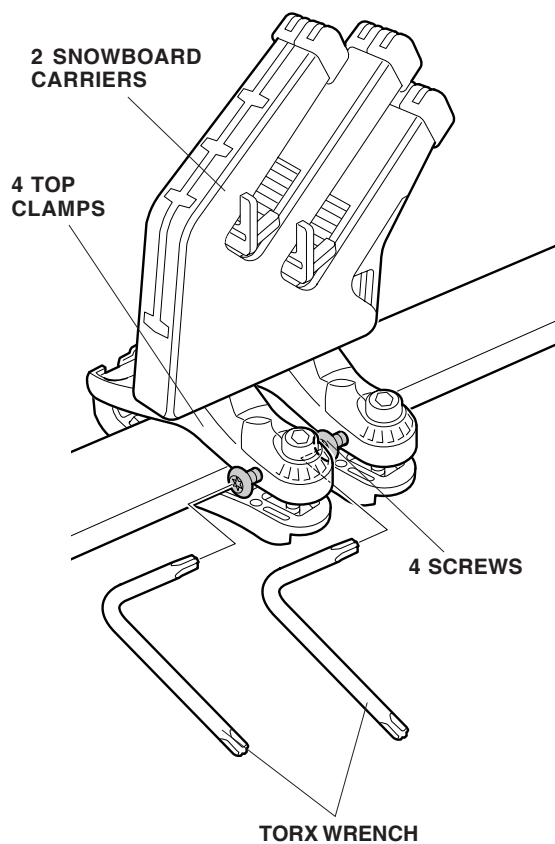
- Turn the four knobs on the four top clamps to tighten the snowboard carrier.



- Return the four cam levers to the original location (turn clockwise).

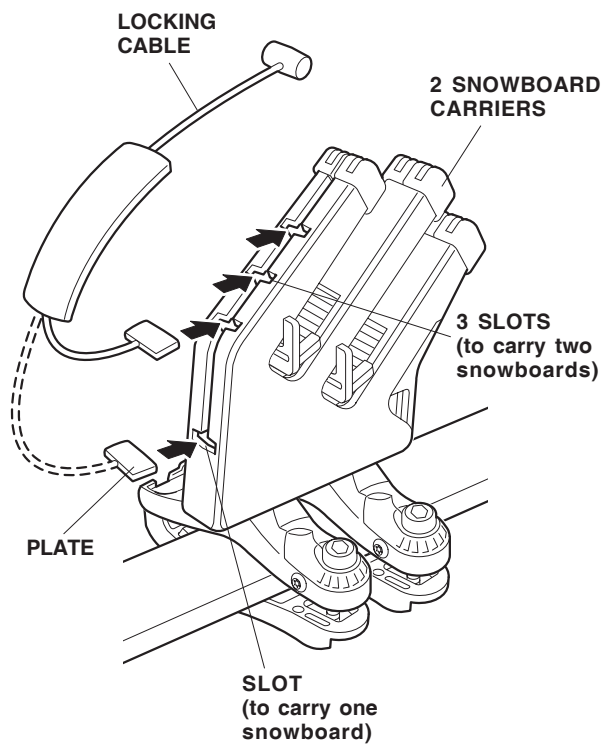


10. Tighten the four screws in the four holes to secure the four top clamps.

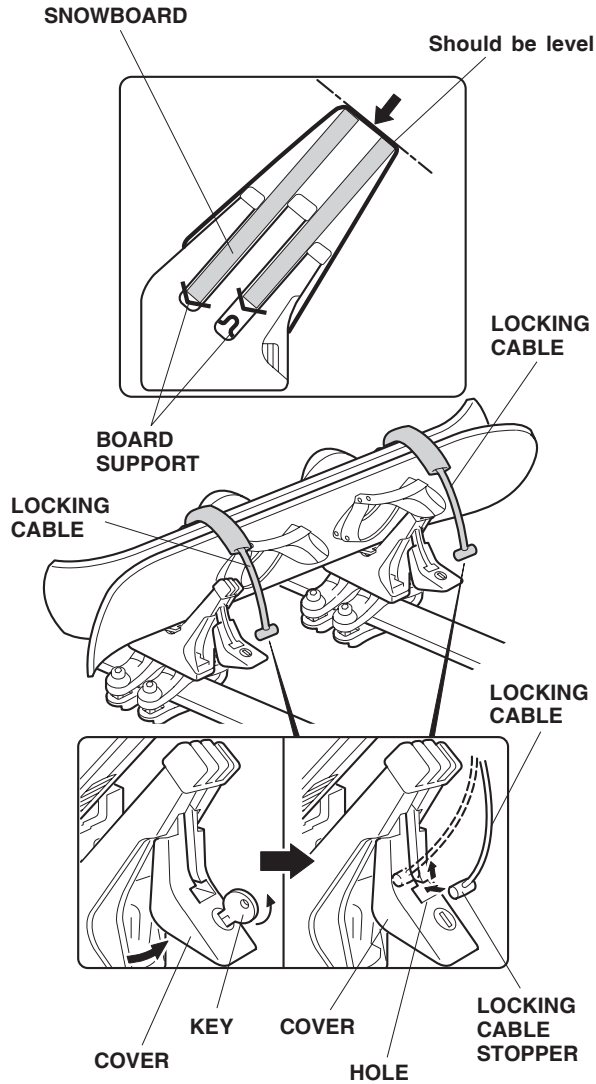


11. Grab the two snowboard carriers and make sure they are securely installed.

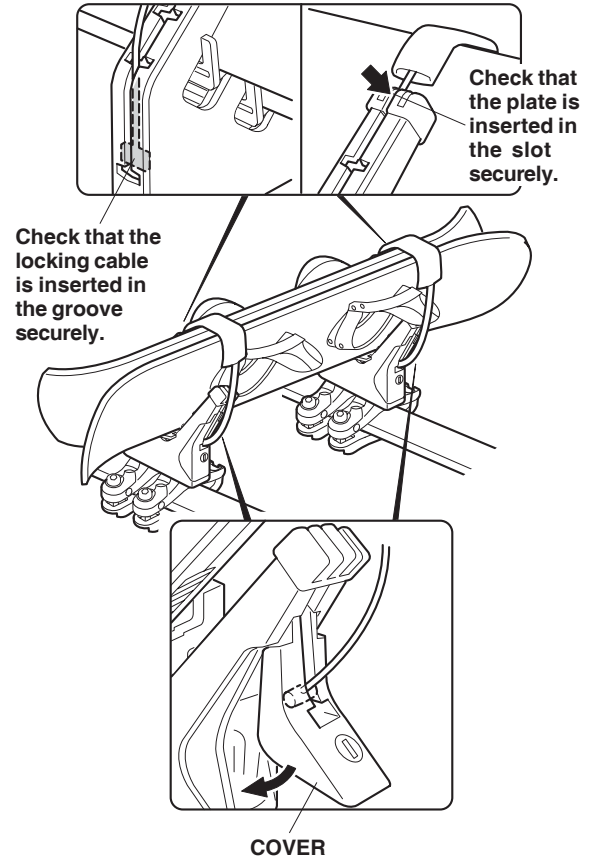
12. Insert the locking cable plate into the slot of the two snowboard carriers. To carry one snowboard, insert the plate into the lowest slot. To carry two snowboards, use one of the three slots above the lowest slot.



13. After loading the snowboard(s) on the carrier, adjust it (them) with the help of the board supports so that the top edges are level and the boards are as far down in the carrier as possible. To secure the snowboard(s), use the key to open the covers, then insert the locking cable stoppers into the holes of the carrier covers.



14. Check that the locking cables are installed securely, then close the covers.



15. The covers must be be locked during transportation.

