

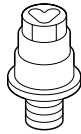


ACURA INSTALLATION INSTRUCTIONS

Accessory	Application	Publications No.
ENGINE BLOCK HEATER P/N 08T44-SNA-100	2009 MDX	BII 39898
		Issue Date
		JULY 2008

PARTS LIST

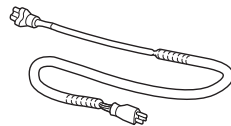
Engine block heater



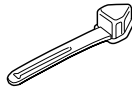
Aluminum washer



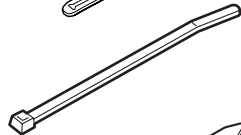
Heater harness



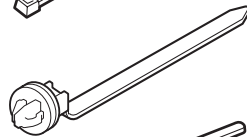
Protective cap



12 Black wire ties



3 Wire ties with clips
(Not used)



5 Yellow wire ties



TOOLS AND SUPPLIES REQUIRED

Drain pan

Ratchet

10 mm, 19 mm, and 24 mm Sockets

Torque wrench

Tape measure

White marker

Gloves

Eye protection (safety goggles, face shield, etc.)

Pushpin

Drill

3 mm and 5 mm Drill bits

File

Masking tape

Fender cover

Coolant (Honda All Season Antifreeze/Coolant only)

NOTE:

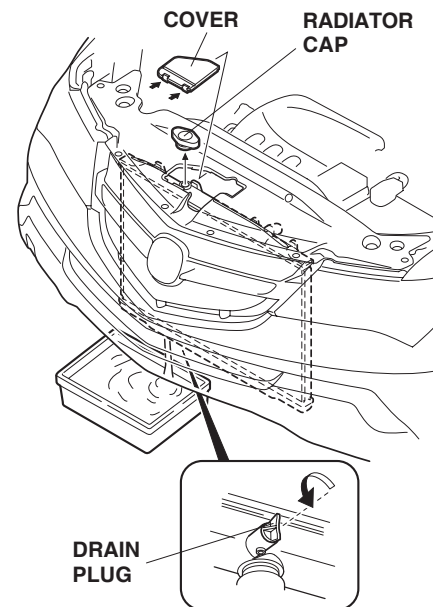
- Always use Honda Antifreeze/Coolant. Using a non-Honda coolant can result in corrosion, causing the cooling system to malfunction or fail.
- To avoid burning out the element, do not operate the engine block heater before it is installed in the vehicle and before you add coolant.

INSTALLATION

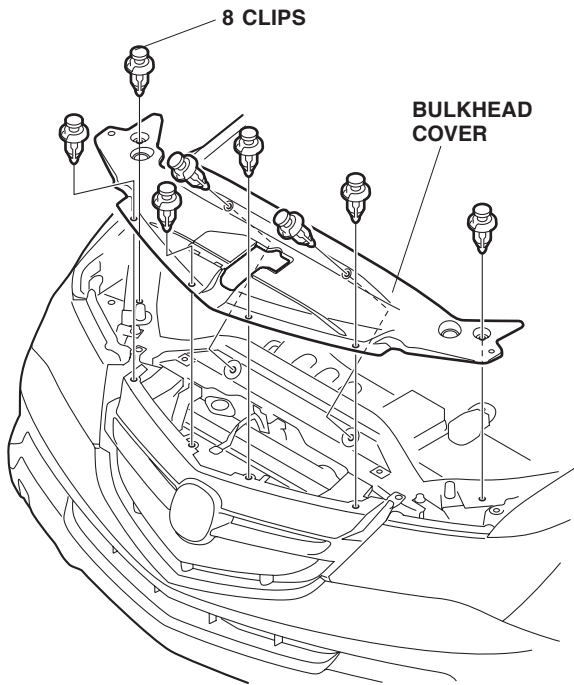
Client's Information: The information in this installation instruction is intended for use only by skilled technicians who have the proper tools, equipment, and training to correctly and safely add equipment to your vehicle. These procedures should not be attempted by "do-it-yourselfers."

1. Allow the engine and all cooling system components to cool down.
2. Place a clean drain pan under the radiator drain plug, then loosen the drain plug from the bottom of the radiator to drain the coolant. Remove the cover and the radiator cap to increase the flow.

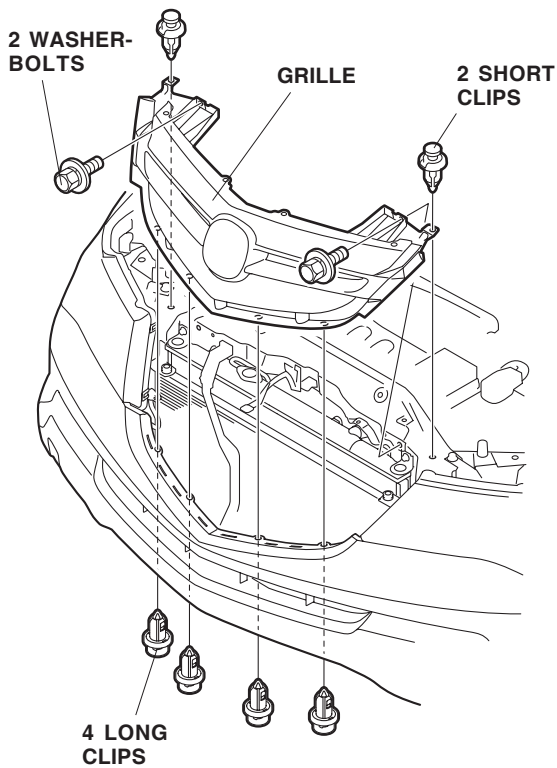
NOTICE Radiator coolant will damage paint. Quickly rinse any spilled coolant from painted surfaces.



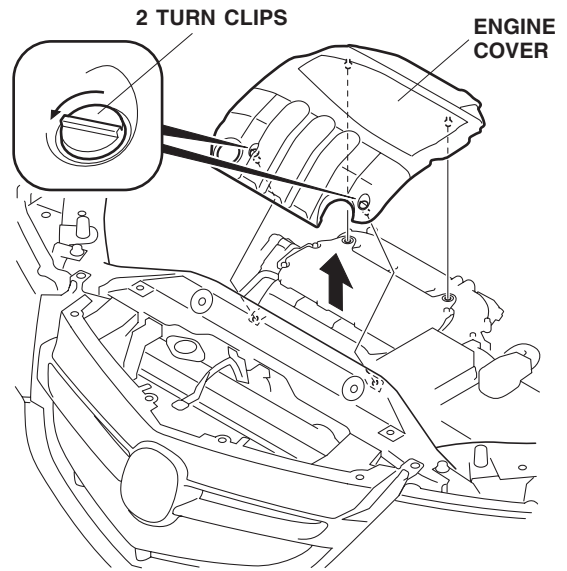
3. Remove the bulkhead cover (eight clips).



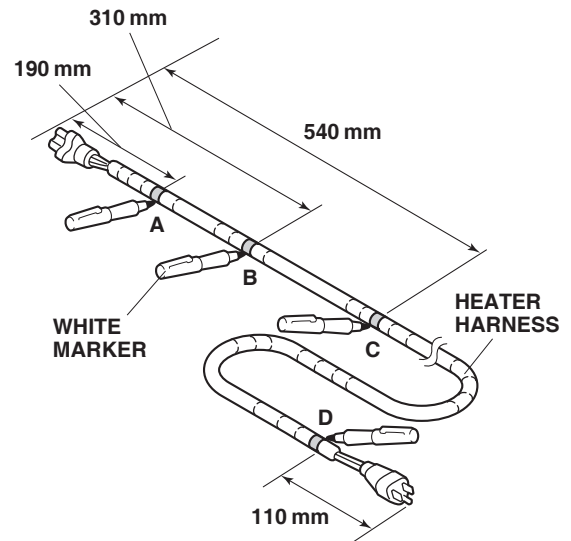
4. Remove the grille (two washer-bolts, four long clips, and two short clips).



5. Remove the engine cover (two turn clips).

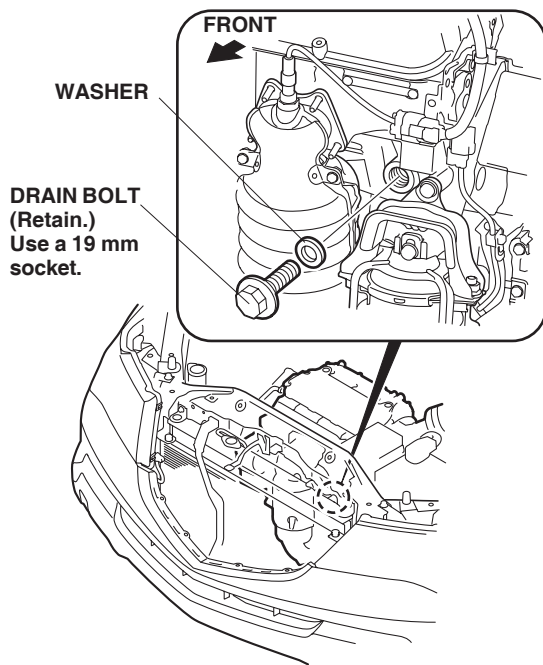


6. Using a tape measure, measure and mark the heater harness at the A, B, C, and D points shown.

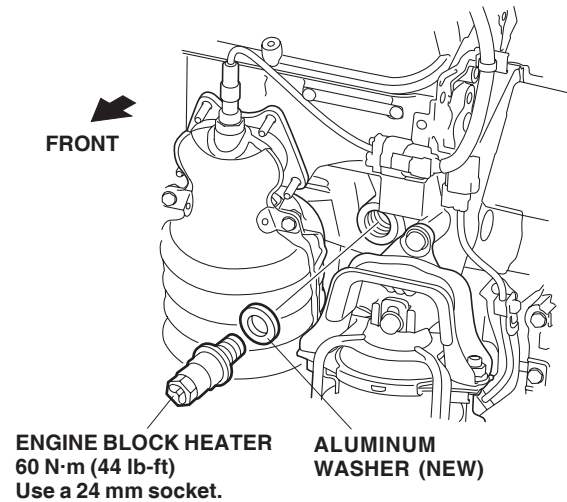


- From the top, locate and remove the engine block drain bolt and washer. Coolant remaining in the engine jackets may flow out of the bolt hole when the bolt is removed.

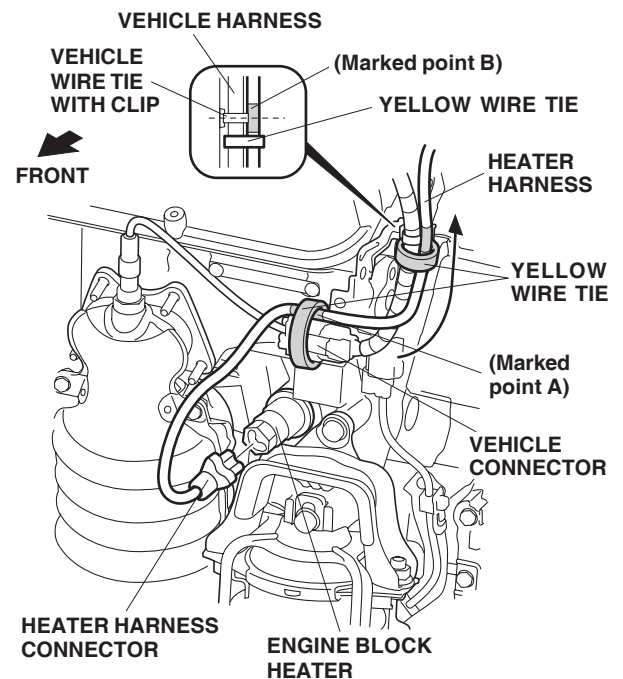
NOTE: Retain the bolt in case the block heater is removed. (A new washer should be used when the bolt is reinstalled.)



- Install the new aluminum washer and the engine block heater into the bolt hole using a 24 mm socket and a torque wrench. Torque the engine block heater to 60 N·m (44 lb-ft).

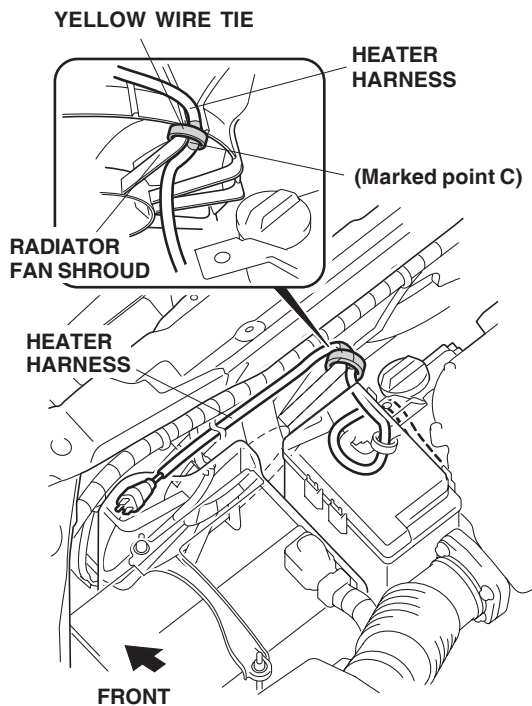


- Route the heater harness down to the engine block heater. Connect the heater harness connector to the engine block heater.

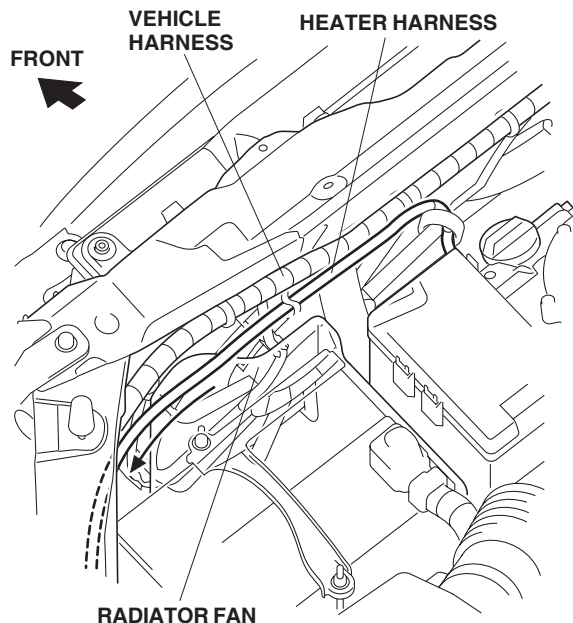


- Secure the heater harness to the vehicle connector with one yellow wire tie at the marked point A. Secure the heater harness to the vehicle harness with one yellow wire tie at the marked point B.

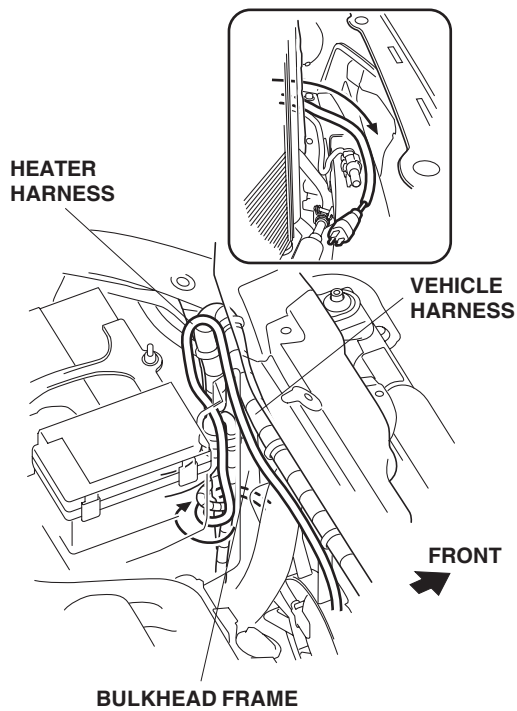
11. Secure the heater harness to the radiator fan shroud with one yellow wire tie at the marked point C.



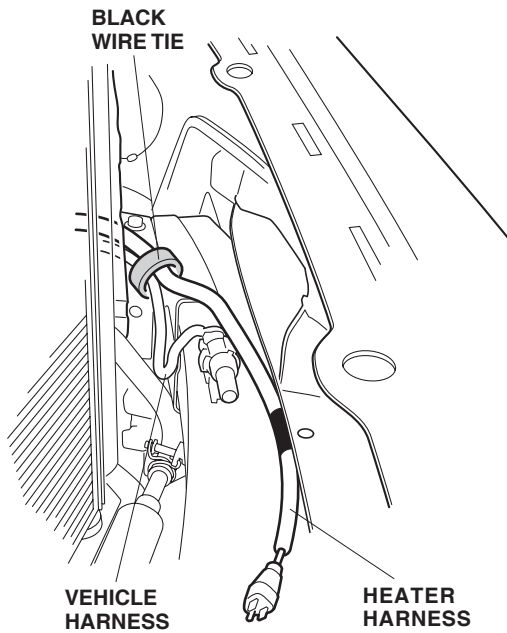
12. Route the heater harness to the left side of the radiator fan along the vehicle harness.



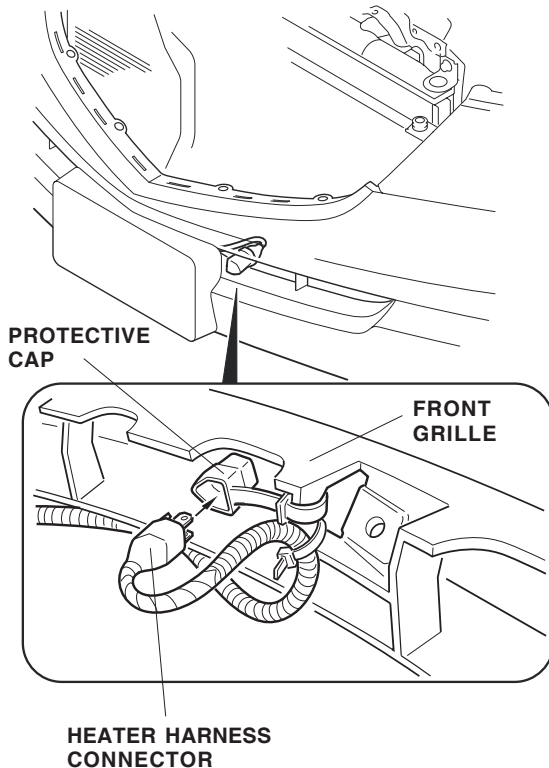
13. Route the heater harness along the vehicle harness and out the gap in the bulkhead frame as shown.



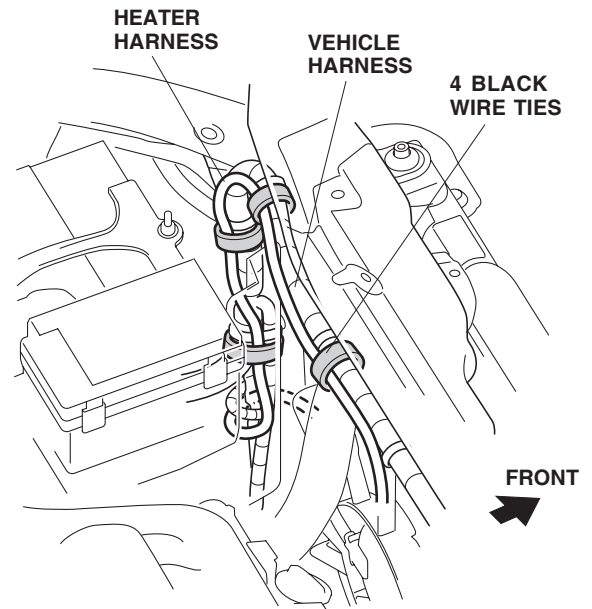
14. Secure the heater harness to the vehicle harness using one black wire tie.



15. Using a black wire tie, secure the heater harness to the front grille as shown. Then attach the protective cap to the grille in the location shown, and install the heater harness connector into the protective cap.



16. Secure the heater harness to the vehicle harness using four black wire ties.



17. Reinstall all removed parts. Check that all clips and fasteners are installed securely.
18. Reinstall the radiator drain plug.
19. Fill the system with the recommended coolant. Follow the instructions described in the service manual to fill and bleed the cooling system.
20. Check the coolant reservoir for correct level and check the cooling system for signs of leakage. Repair as necessary.
21. Check that the heater harness is routed properly and all connectors are plugged in.
22. Put the drain bolt (removed in step 7) in the glove box.