



# ACURA INSTALLATION INSTRUCTIONS

Accessory

**CARGO LINER**  
P/N 08P42-STX-200

Application

2009 MDX

Publications No.

**BII 39894**

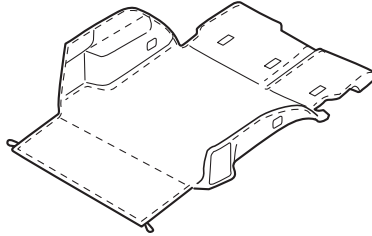
Issue Date

**JULY 2008**

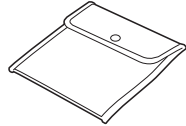
**Put this information in the glove box with the vehicle owner's manual.**

## PARTS LIST

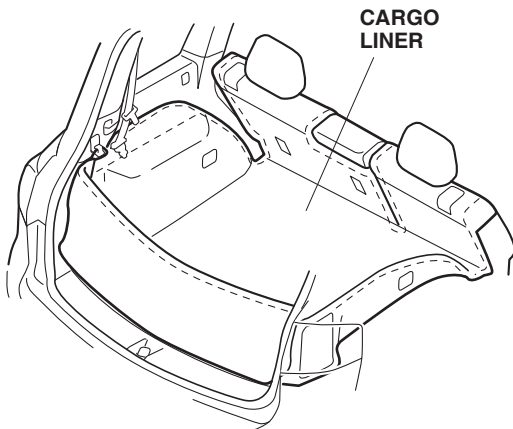
Cargo liner



Storage bag

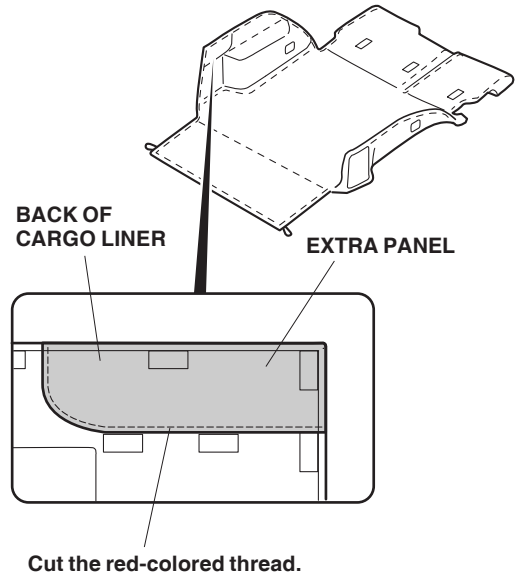


**Illustration of the Cargo Liner Installed in the Vehicle**

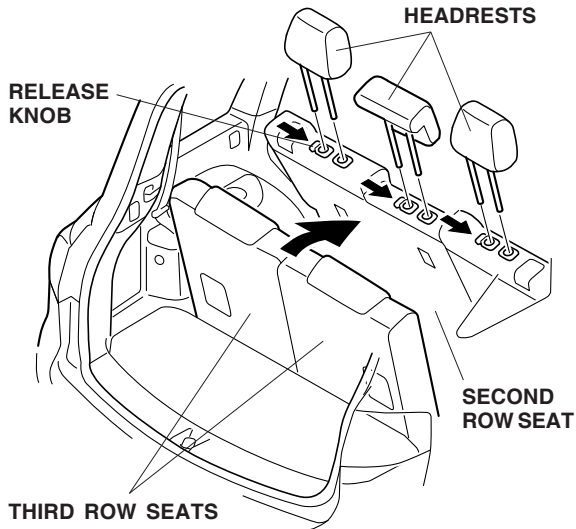


## INSTALLATION

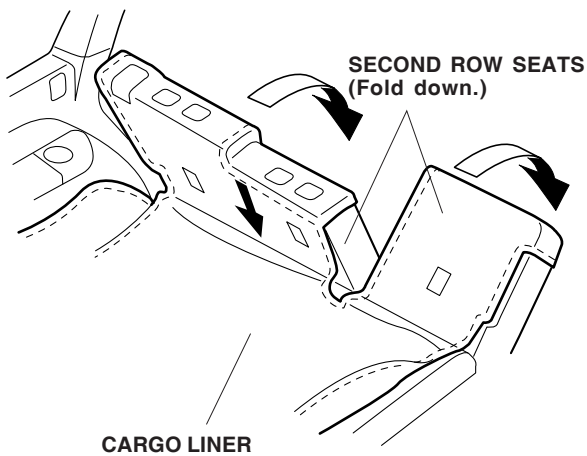
1. **For Power Tailgate Equipped Models:** Trim the extra panel on the cargo liner by cutting the red-colored thread, and removing the extra panel.



2. Fold down both third row seats.

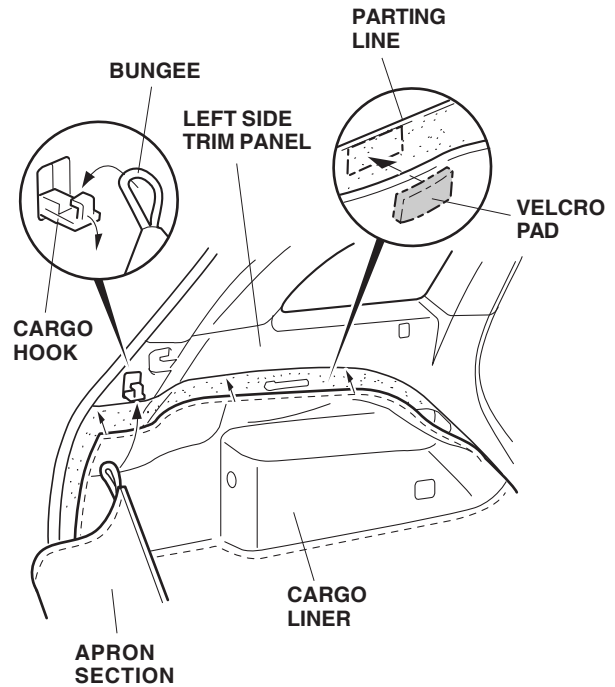


3. Remove the headrests from the second row seats by pushing the release knobs and lifting the headrests out.
4. Cover the second row seats with the cargo liner, and fold down both second row seats.



5. Position the cargo liner on the back of the second row seats, and reinstall the headrests.

6. Position the cargo liner on the left side trim panel and attach the Velcro pads along the parting line of the left side trim panel.



7. Position the cargo liner apron section upright and attach the bungee on the cargo liner to the cargo hook.
8. Repeat the procedure on the right side to install the cargo liner on the right side trim panel.

**NOTE:** The cargo liner tailgate apron must be in the upright position before closing the tailgate hatch or using the power tailgate, otherwise the door may not close properly, or the apron may damage the power tailgate mechanism.