

**ACURA**  
**INSTALLATION**  
**INSTRUCTIONS**

Accessory  
**CARGO COVER**

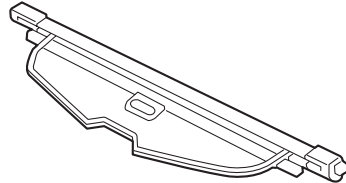
Application  
**2009 MDX**

Publications No.  
**BII 39893**  
 Issue Date  
**JULY 2008**

**Put this information in the glove box with the vehicle owner's manual.**

**PARTS LIST**

Cargo cover

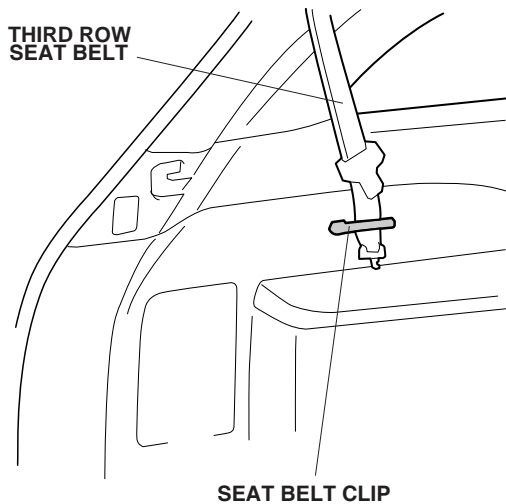


**TOOL REQUIRED**

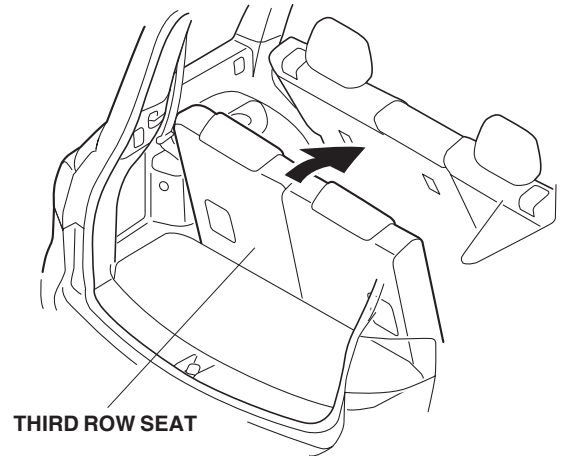
Small flat-tip screwdriver

**INSTALLATION**

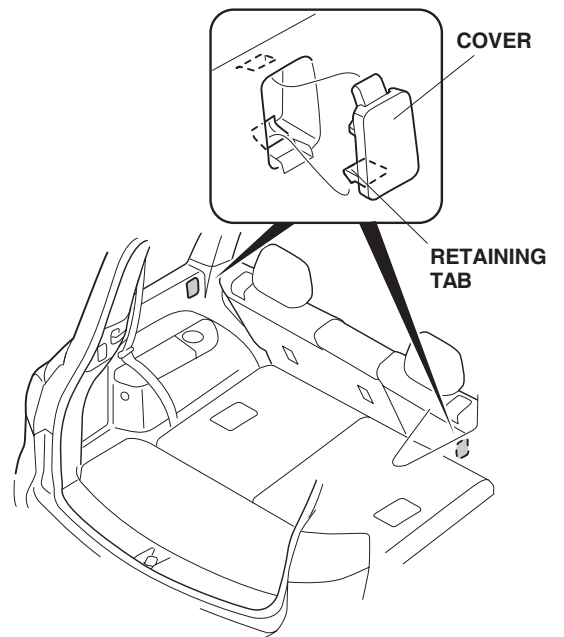
1. Attach the third row seat belt to the seat belt clip.



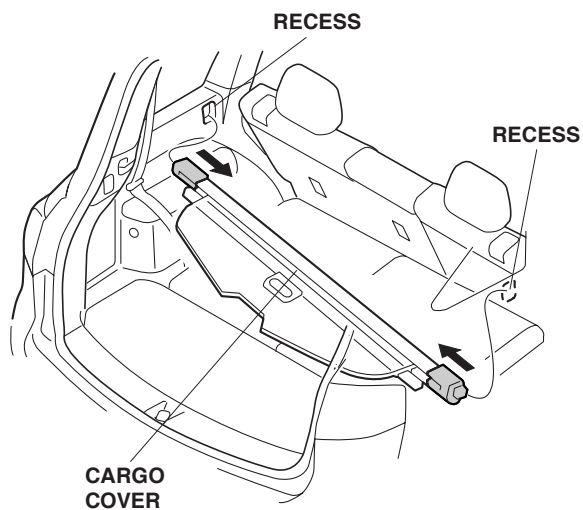
2. Fold down both third row seats.



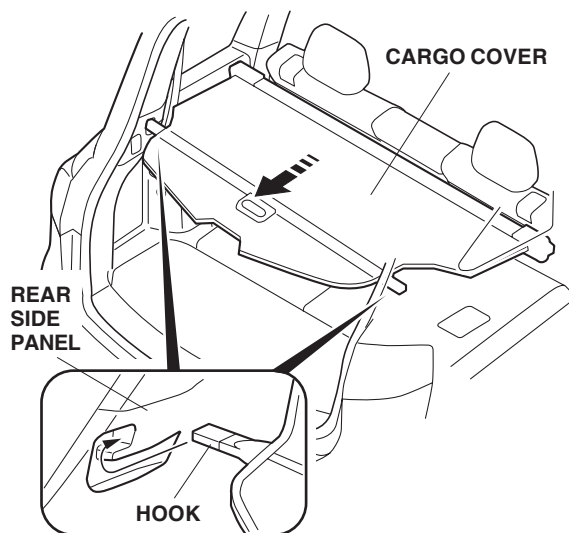
3. Using a small flat-tip screwdriver, remove the right and left rear side panel covers by releasing the retaining tab. Save the covers so they can be reinstalled when the cargo cover is removed.



4. Install the cargo cover into the recess in the left rear side panel in the direction shown, then compress the cargo cover, and install it in the right rear side panel.



5. Attach the right and left hooks to the rear side panel.



## CLEANING THE CARGO COVER

Use a sponge or cloth and a solution of mild liquid dishwashing soap and water, then wipe dry with a clean cloth or sponge.