

Accessory	Application	Publications No.
<b>BODY SIDE MOLDING</b>	<b>2009 MDX</b>	<b>BII 39892</b>
		Issue Date
		<b>JULY 2008</b>

### PARTS LIST

Right front body side molding



Left front body side molding



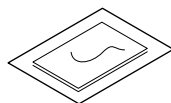
Right rear body side molding



Left rear body side molding



4 Alcohol pads



### TOOLS AND SUPPLIES REQUIRED

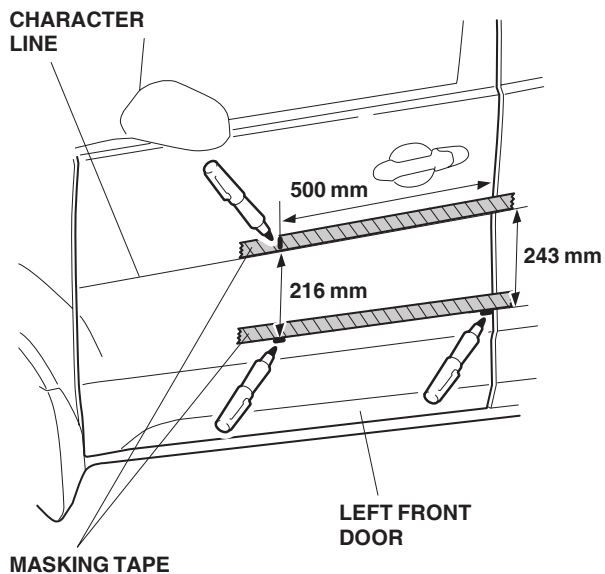
Tape measure  
Rubber roller  
Shop towel  
Felt-tip pen  
Masking tape

### INSTALLATION

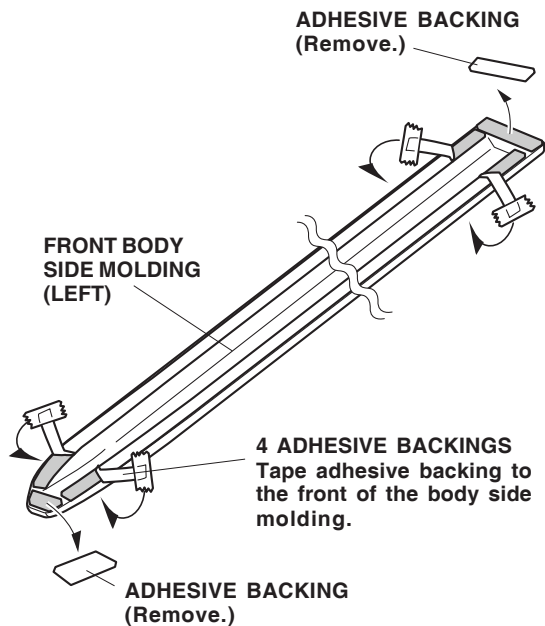
#### NOTE:

- If you're also installing door edge guards (sold separately), install them before you install the body side molding.
- Be careful not to damage the body paint finish.
- This molding kit should only be installed if the ambient air temperature is 60°F (15°C) or above.
- To allow the adhesive to cure, do not wash the vehicle for 24 hours.
- These instructions are for the left side of the vehicle. The same procedure applies to the right side of the vehicle.

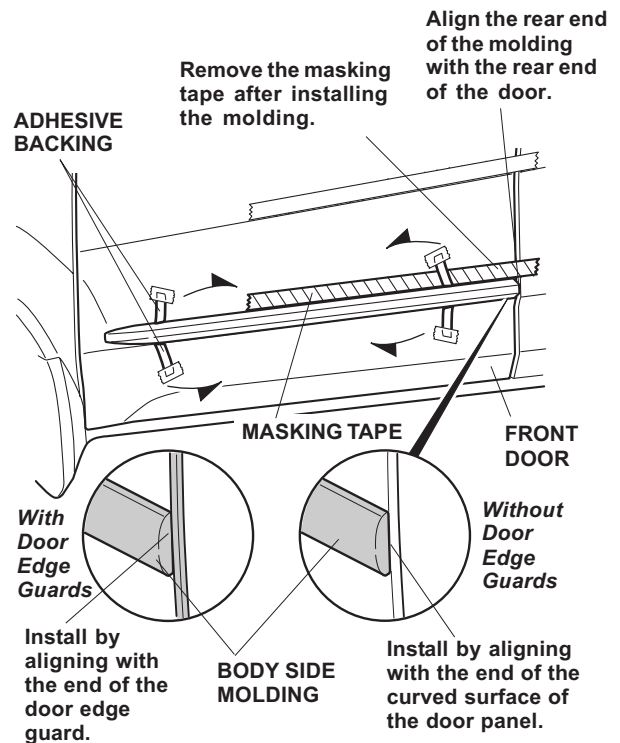
1. Attach the masking tape to the upper part of the front door along the character line. Using a felt-tip pen, mark the masking tape 500 mm from the door edge.



2. Measure down from the masking tape and mark the door at the two points shown. Attach another piece of masking tape above the marks.
3. On the back of the left front body side molding, remove one inch of the adhesive backing from the four ends and tape them to the front of the body side molding. Remove the remaining adhesive backings.



4. Using one alcohol pad, clean the area where the side molding will attach.

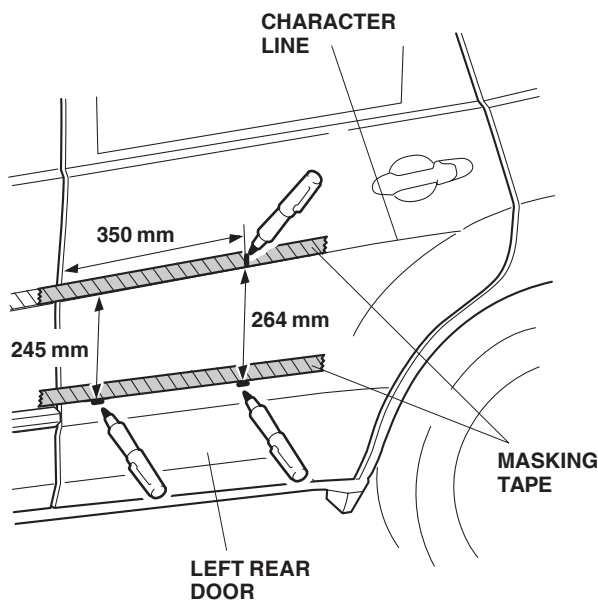


5. Position the molding on the door and align it with the masking tape. Remove the masking tape.

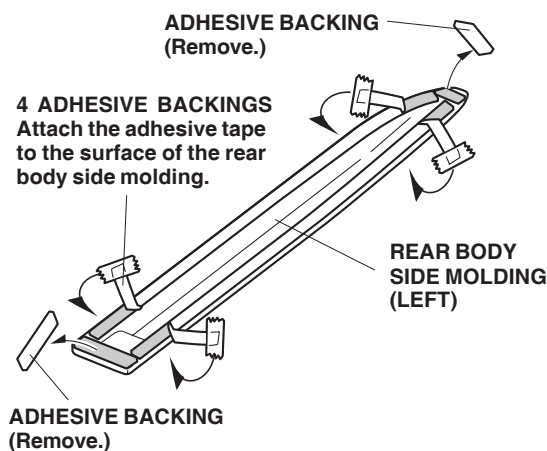
NOTE: If door edge guards are installed, match the rear edge of the left front body side molding with the door edge guard.

6. While applying pressure on the molding, carefully remove the adhesive backing. Hold the molding firmly against the door with the palm of your hand for 30 seconds.

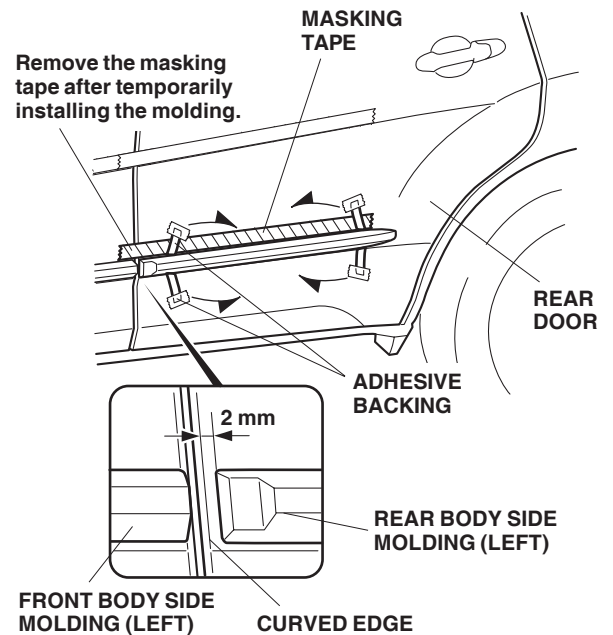
- Attach the masking tape to the upper part of the rear door along the character line. Using a felt-tip pen, mark the masking tape 350 mm from the door edge.



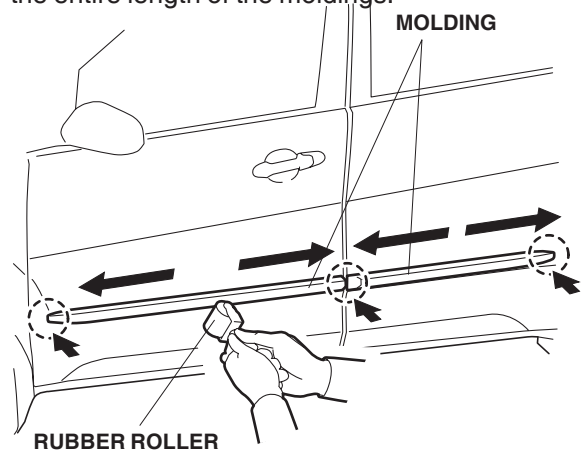
- Measure down from the masking tape and mark the door at the two points shown. Attach another piece of masking tape above the marks.
- On the back of the left rear body side molding, remove one inch of the adhesive backing from the ends of the body side molding and tape them to the front of the body side molding.



- Using one alcohol pad, clean the area where the side molding will attach.



- Position the molding on the door and align it with the masking tape. Remove the masking tape.
- While applying pressure on the molding, carefully remove the adhesive backing. Hold the molding firmly against the door with the palm of your hand, particularly at both edges, for 30 seconds.
- Using a hard rubber roller, apply pressure along the entire length of the moldings.



- Repeat steps 1 thru 13 to install the body side molding on the right side of the vehicle.