



INSTALLATION INSTRUCTIONS

Accessory

SIDE UNDER SPOILER

Application

2008 TL

Publications No.

BII 37365

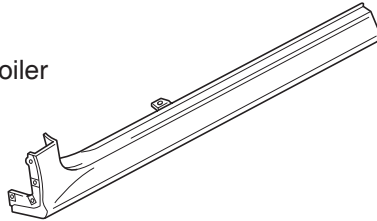
Issue Date

JUN 2007

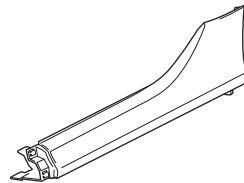
NOTE: Splash guards *cannot be* installed with the side under spoiler.

PARTS LIST

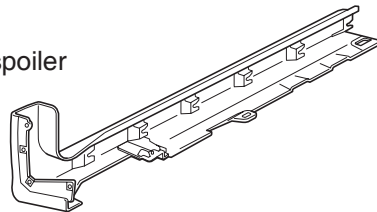
Left front side under spoiler



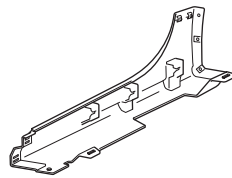
Left rear side under spoiler



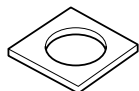
Right front side under spoiler



Right rear side under spoiler



18 Rubber spacers



2 Clips



TOOLS AND SUPPLIES REQUIRED

Phillips screwdriver

Stubby Phillips screwdriver

Flat-tip screwdriver

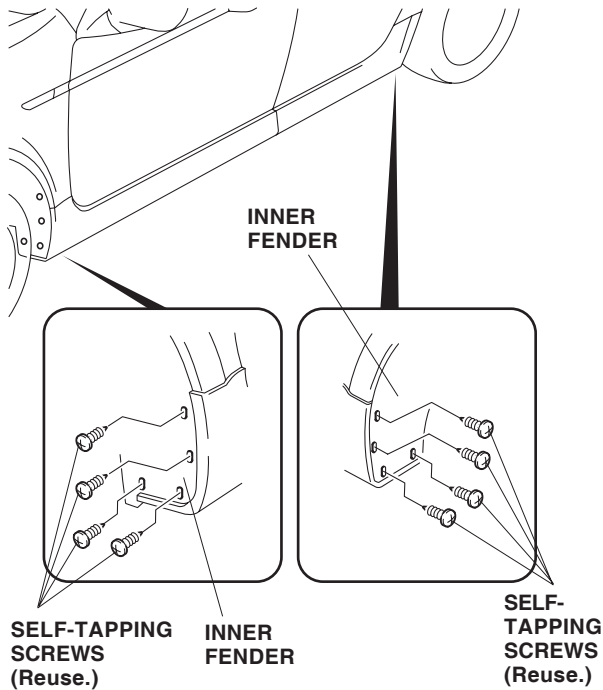
INSTALLATION

Client Information: The information in this Installation Instruction is intended for use only by skilled technicians who have the proper tools, equipment, and training to correctly and safely add equipment to your vehicle. These procedures should not be attempted by "do-it-yourselfers."

NOTE:

- These instructions show the left side under spoiler being installed. The same procedure applies to installing right side under spoiler.
- Before installation, clean the bottom of the vehicle from the rear of the front wheels to the front of the rear wheels.
- Be careful not to damage the body paint finish.

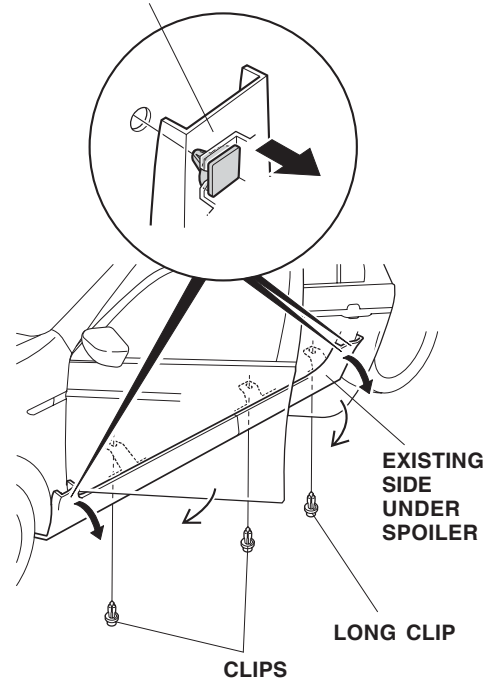
1. If equipped, remove the splash guards.
2. Remove the four self-tapping screws that fasten the front inner fender to the fenderwell.



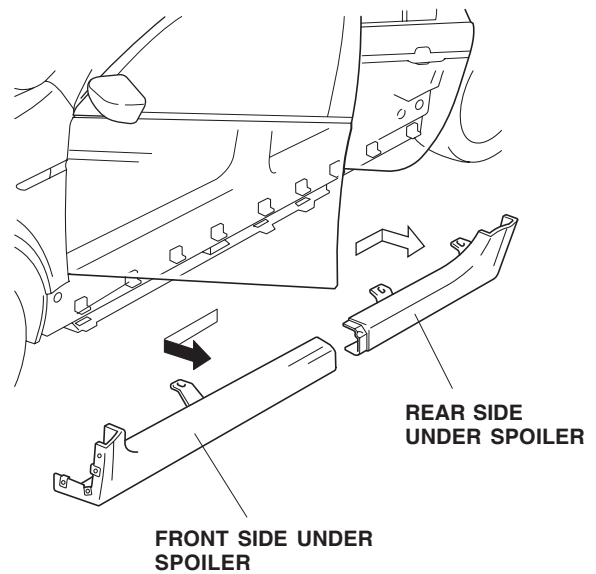
3. Remove the four self-tapping screws that fasten the rear inner fender to the fenderwell.

4. Open the doors. Remove the two clips and one long clip that fasten the existing side under spoiler to the side sill.

Pull the side under spoiler out toward you to release the clips on the back.

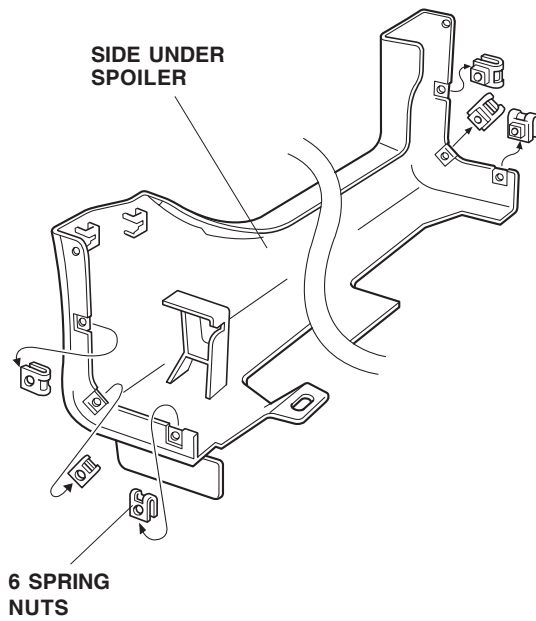


5. Pull the top of the spoiler out, at the front and rear ends, to release the three clips (one at the front and two at the rear).

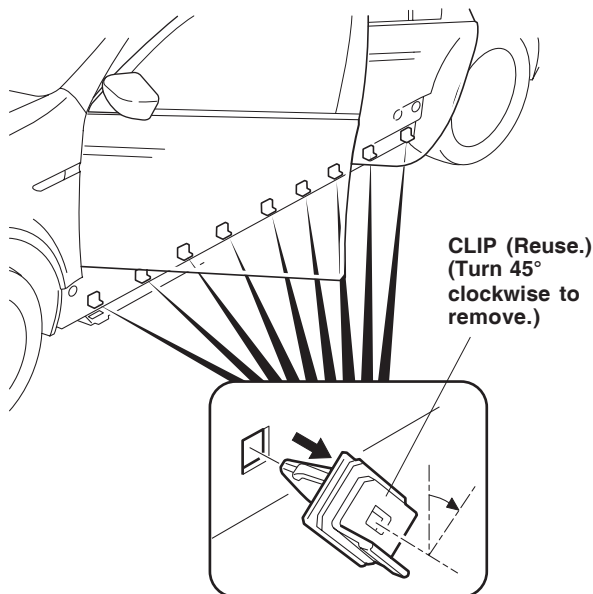


6. Remove the front side under spoiler by sliding it forward and out toward you. Remove the rear side under spoiler by sliding it rearward and out toward you.

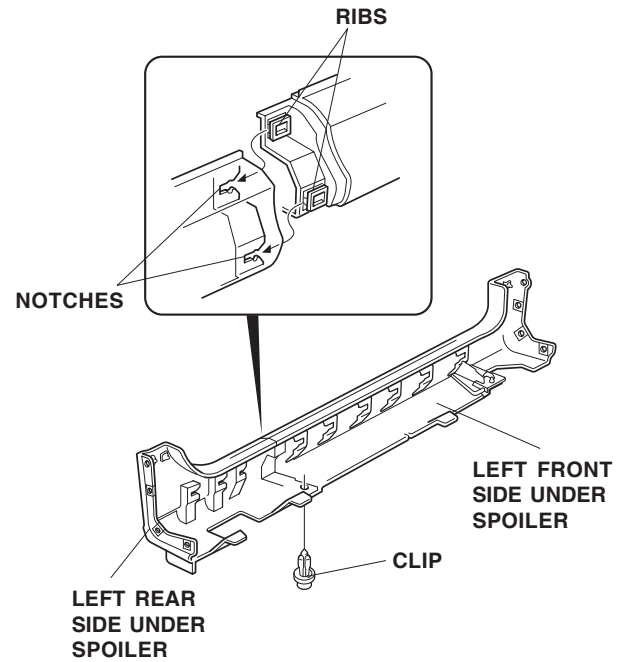
- Remove the six spring nuts from the front and rear ends of the existing side under spoilers.



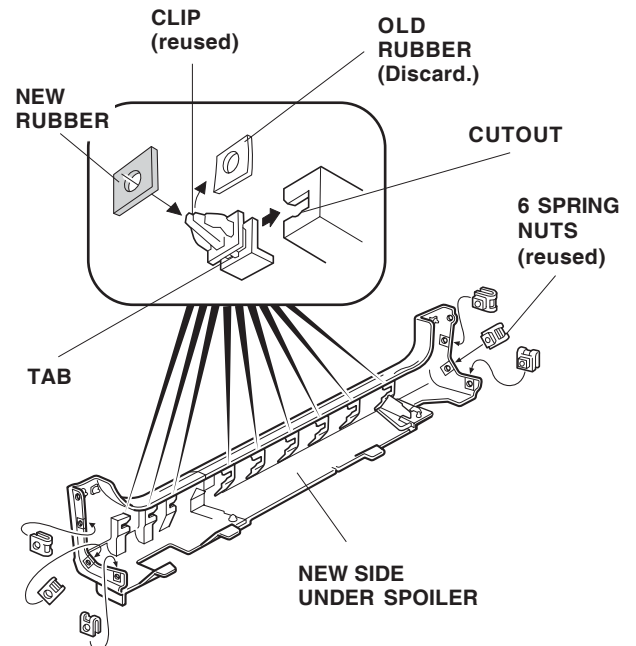
- Remove the nine clips from the side sill by turning them 45 degrees.



- Assemble the left front side under spoiler and the left rear side under spoiler by inserting the ribs into the notch, and installing one clip.



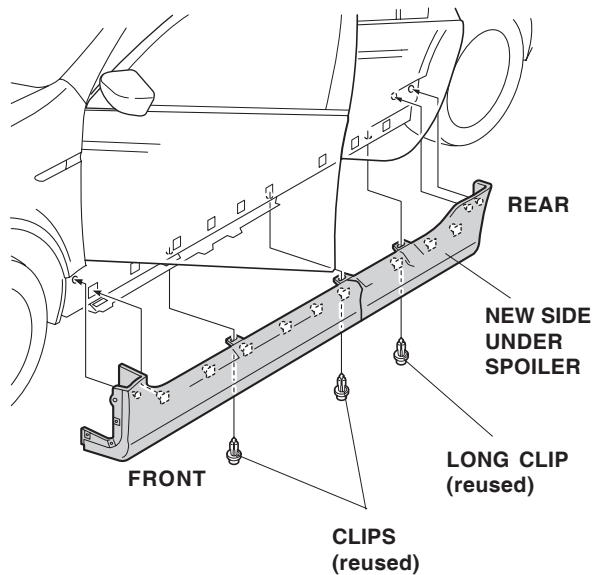
- Slide the nine clips (removed in step 8) into the holders on the new side under spoiler through the slots, and align the tabs on the clips with the cutouts on the holders. Remove the existing rubber spacers from the clips, and install a new rubber spacer onto each of the nine clips.



- Install the six spring nuts removed in step 7 onto the front and rear ends of the new side under spoiler.

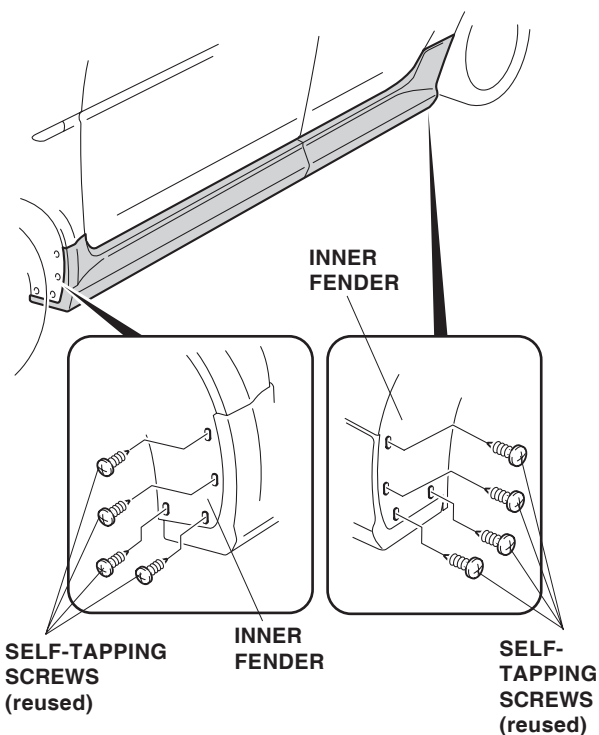
12. Insert the nine clips, from the left side under spoiler, into the square body holes, match the three bottom clips with the round holes, and push the left side under spoiler against the vehicle body until it clicks into position.

- Insert the front position of the side under spoiler between the front inner fender and body.
- Insert the rear position of the side under spoiler between the rear inner fender and body.



13. Reinstall the two clips and one long clip removed in step 4 .

14. Reinstall the four self-tapping screws you removed in step 2.



15. Reinstall the four self-tapping screws you removed in step 3.

16. Repeat steps 2 through 15 to install the right side under spoiler on the right side of the vehicle.