

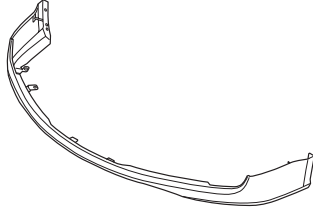


ACURA INSTALLATION INSTRUCTIONS

Accessory	Application	Publications No.
FRONT UNDER SPOILER	2008 TL	BII 37391
		Issue Date
		JUN 2007

PARTS LIST

Front under spoiler



Left bracket
(Marked "L")



Right bracket
(Marked "R")



8 Self-tapping screws



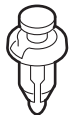
2 Clips (female)



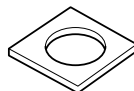
4 Spring nuts



2 Clips



2 Seals



TOOLS AND SUPPLIES REQUIRED

Phillips screwdriver

Flat-tip screwdriver

10 mm Wrench

Center punch

Drill

3 mm, 4 mm, 6 mm and 12 mm Drill bits

Felt-tip pen

File

Isopropyl alcohol

Shop towel

Eye protection (face shield, safety goggles, etc.)

Masking tape

Blanket

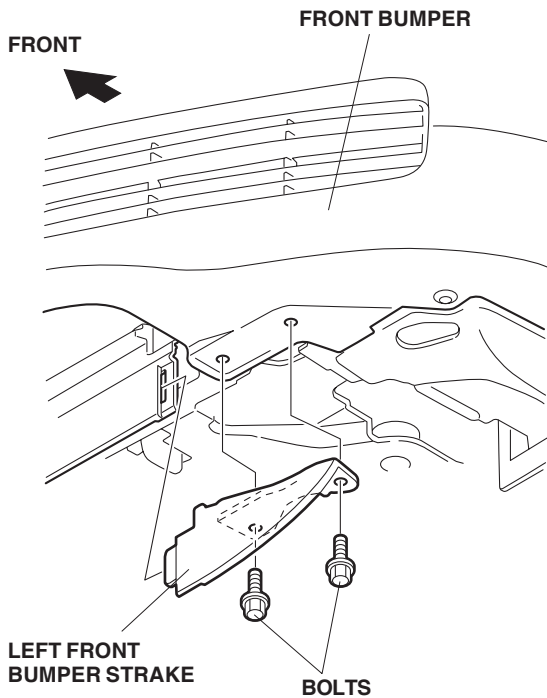
INSTALLATION

Client Information: The information in this installation instruction is intended for use only by skilled technicians who have the proper tools, equipment, and training to correctly and safely add equipment to your vehicle. These procedures should not be attempted by "do-it-yourselfers."

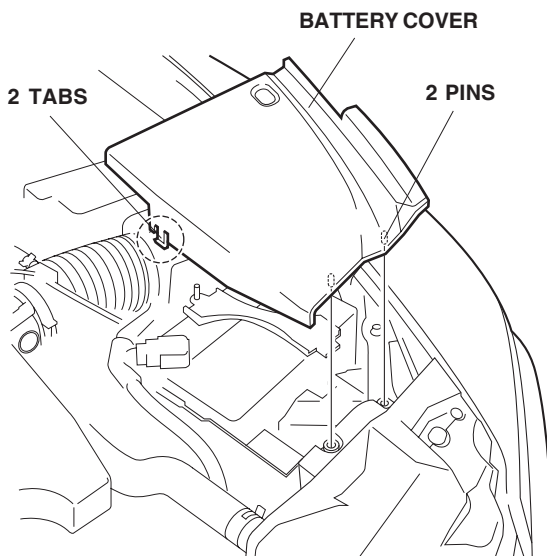
NOTE:

- Be careful not to damage the body paint finish.
- This front under spoiler kit should only be installed if the ambient air temperature is 60°F (15°C) or above.
- To prevent damage to the bumper, set it on a blanket during the installation.

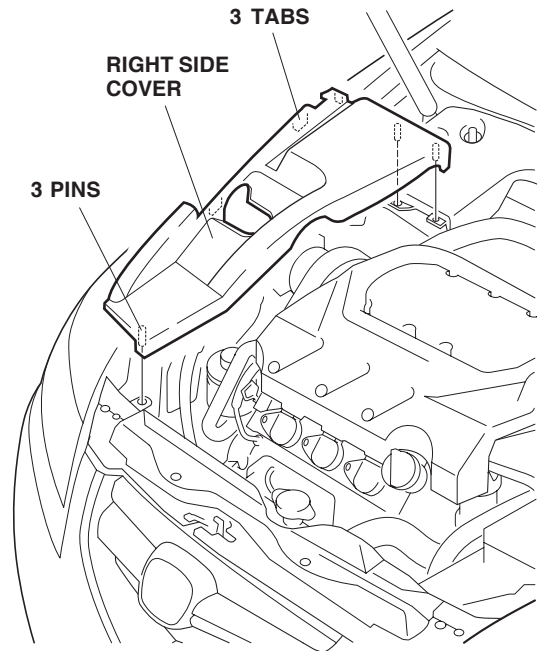
1. Remove the two bolts that secure the left front bumper strake to the bottom of the front bumper and remove the bumper strake by sliding it sideways.



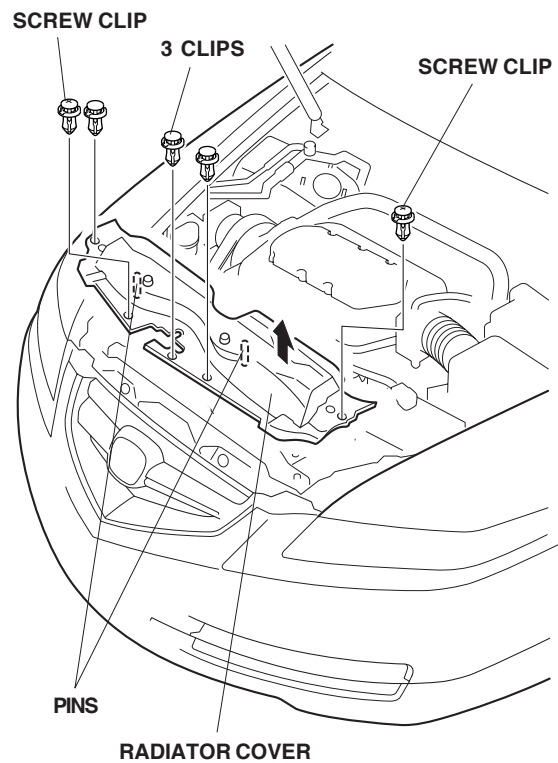
2. Repeat step 1 to remove the right side bumper strake.
3. Open the hood. Remove the battery cover (two pins and two tabs).



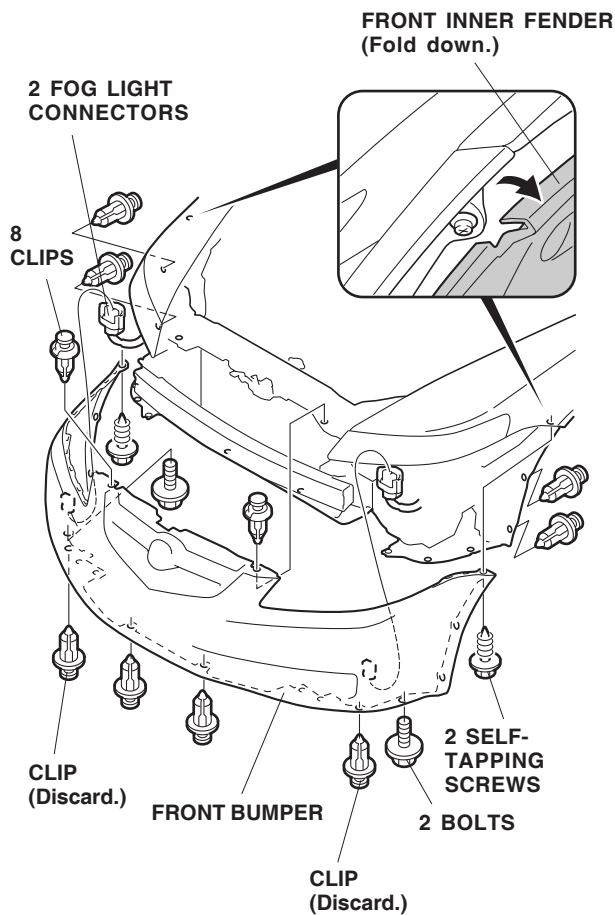
4. Remove the right side cover (three pins and three tabs).



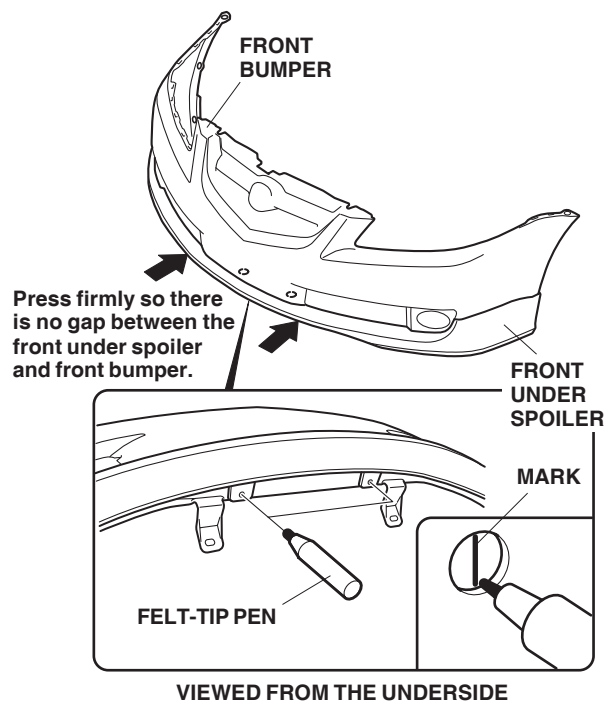
5. Remove the radiator cover (three clips, two screw clips and two pins).



- With the help of an assistant, on each side fold down the front inner fender, and remove the front bumper (ten clips, two bolts and two self-tapping screws). If equipped, unplug the fog light connectors.

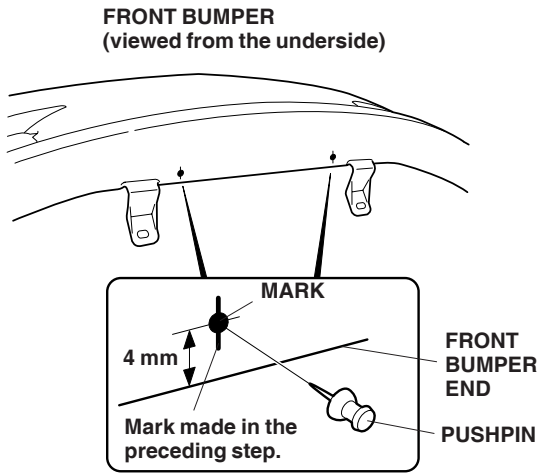


- Align the front under spoiler with the front bumper.

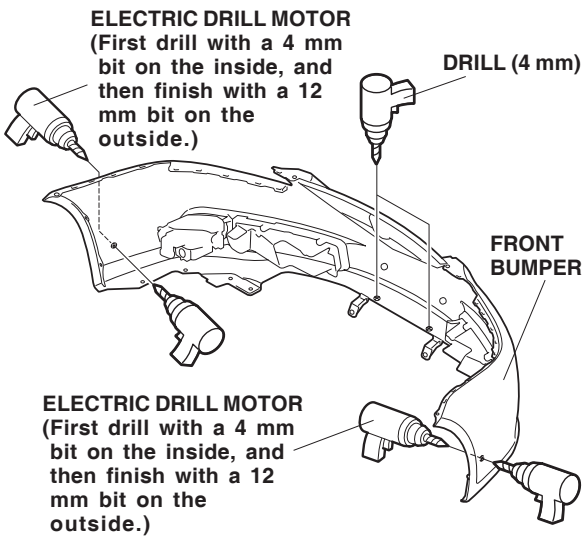


- Position the front under spoiler closely on the front bumper and mark the underside of the front bumper at the two points shown using a felt-tip pen. Mark the front under spoiler while pressing the front under spoiler firmly with the palm of your hand so there is no gap between the front under spoiler and front bumper.
- Remove the front under spoiler from the front bumper.

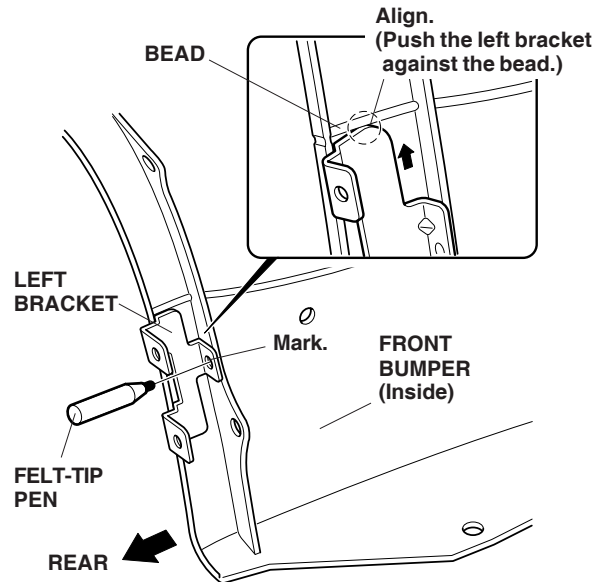
- On the markings made in step 8, measure the dimension from the end of the front bumper and make a mark with a felt-tip pen.



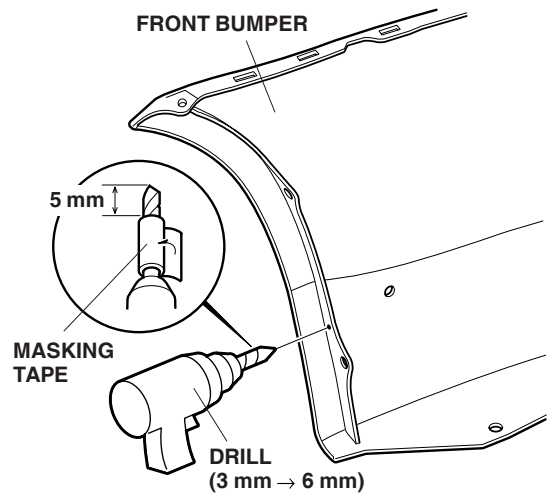
- Using a pushpin, pierce the front bumper at each of two marks made in step 10.
- While wearing eye protection, drill the front bumper at the four marked points using a 4 mm drill bit, then drill the two outside locations with a 12 mm drill bit. Remove any burrs from the edge of the holes.



- Position the left bracket on the inside of the front bumper. Mark the front bumper at the drill point. Align the top of the left bracket with the bead of the front bumper and align the recess at the rear of the left bracket with the flange of the front bumper.

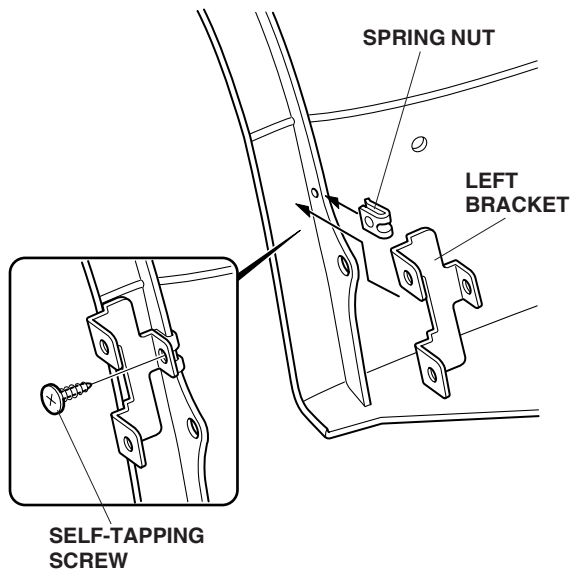


- Remove the left bracket.
- While wearing eye protection, drill the front bumper at the marked point in the position shown using a 3 mm drill bit first, then finish with a 6 mm drill bit.
 - Wrap masking tape 5 mm from the end of the bit to avoid drilling through the front bumper.



- Repeat steps 13, 14 and 15 on the other side.

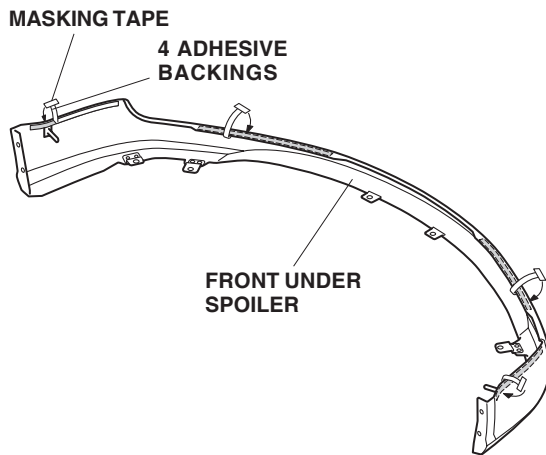
17. Install the spring nut on the front bumper.



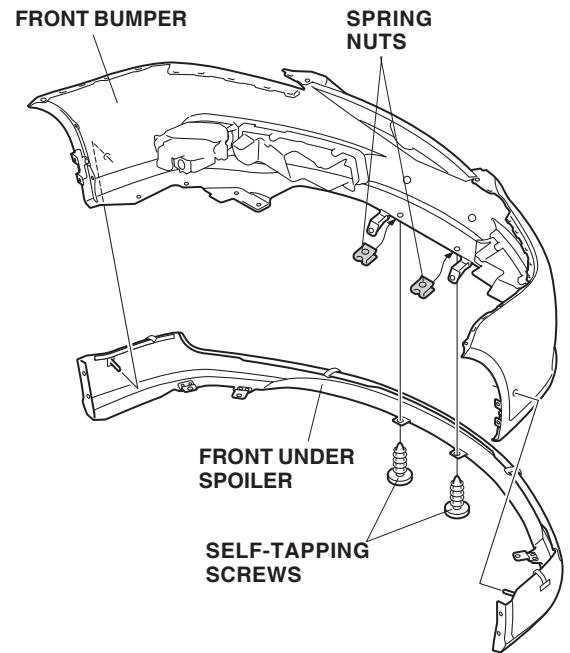
18. Install the left bracket on the front bumper using one self-tapping screw and spring nut.

19. Repeat steps 17 and 18 on the other side.

20. Peel back an end of the four adhesive backings on the front under spoiler 1.5 to 2 in. and attach them to the surface side of the front under spoiler using the masking tape.



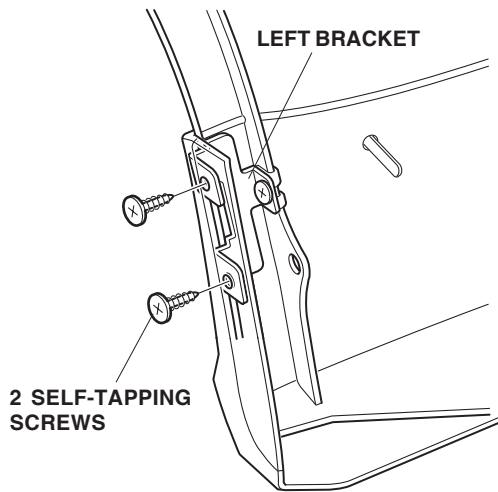
21. Install the two spring nuts on the bottom of the front bumper.



22. Using isopropyl alcohol, clean the front bumper in the position where the front under spoiler will be attached.

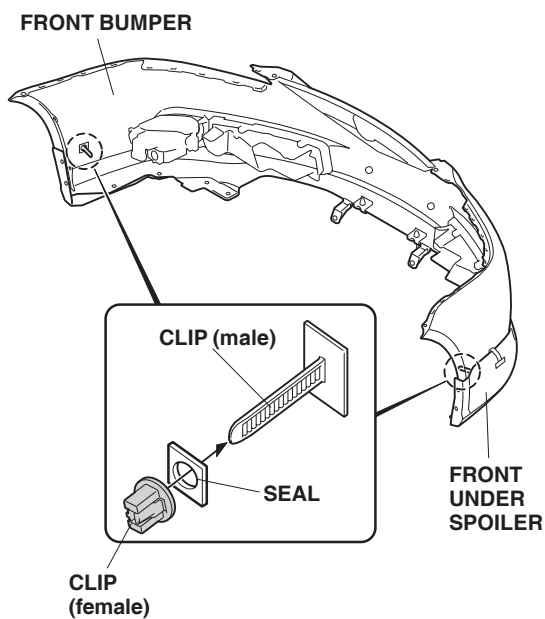
23. Install the front under spoiler on the front bumper using two self-tapping screws and two spring nuts.

24. Install the front under spoiler on the left bracket using two self-tapping screws.



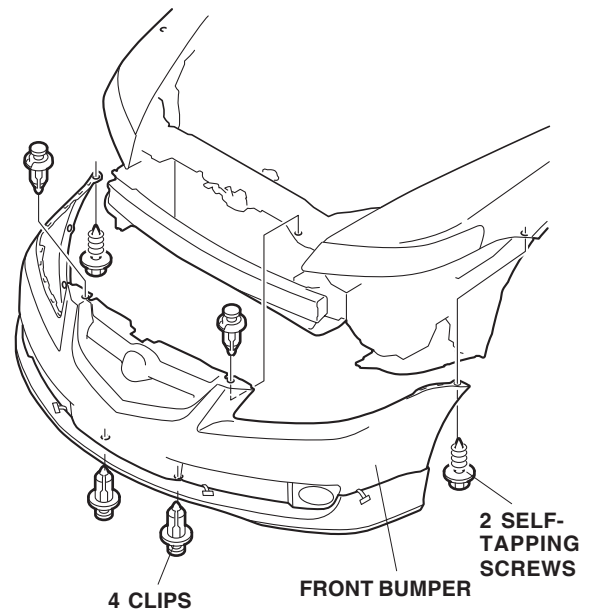
25. Repeat step 24 on the other side.

26. Install the seal on each of the two clips (male) on the inner side of front under spoiler.

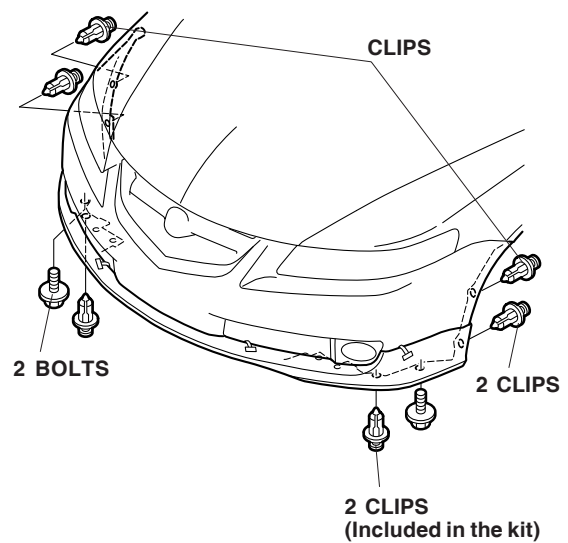


27. Secure the front under spoiler on the front bumper using two clips (female).

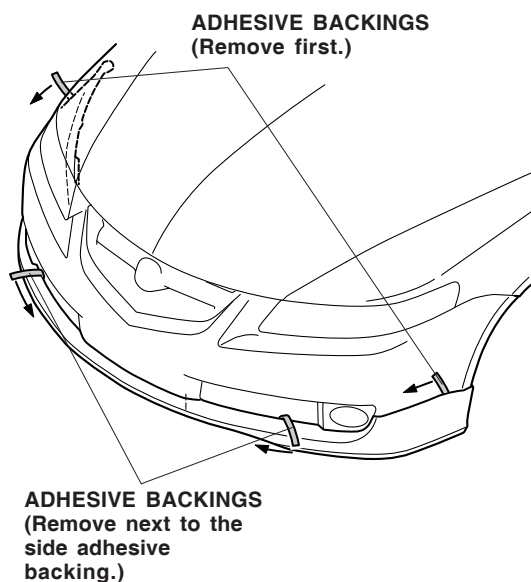
28. Position the front bumper on the car using four clips and two self-tapping screws.



29. Secure the front bumper to the car using four clips, two clips (included in the kit) and two bolts.



- Carefully remove the adhesive backings by pulling on the masking tape in the direction shown. Start at the center, then the right and left ends in the front bumper. Use extra care when removing the adhesive backings as they can be cut by the edge of the spoiler.



- Hold the spoiler firmly against the front bumper with the palm of your hand for 30 seconds, particularly at the edges.
- Reinstall all removed parts.