



INSTALLATION INSTRUCTIONS

Accessory

**FULL NOSE MASK
P/N08P35-STK-200**

Application

2008 RDX

Publications No.

BII 37429

Issue Date

JUL 2007

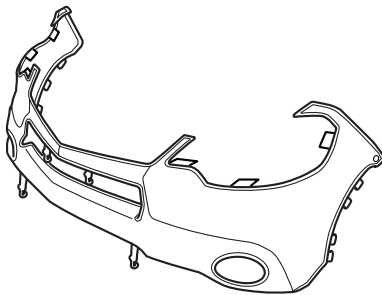
Put this information in the glove box with the vehicle owner's manual.

PARTS LIST

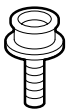
Mask
(hood section)



Mask
(bumper section)



2 Snap-screws



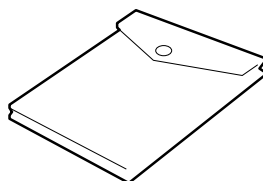
2 Washers



2 Fenderwell nuts



Storage bag



TOOLS AND SUPPLIES REQUIRED

Stubby Phillips screwdriver

Flat-tip screwdriver

Utility knife

INSTALLATION

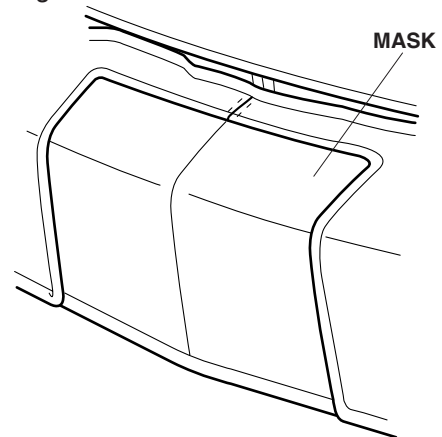
NOTE:

- Make sure the vehicle and the nose mask are clean and completely dry before installation. If moisture under the mask is allowed to dry, it may cloud the paint. If the mask gets wet, remove it and allow it to air-dry completely.
- Make sure any repainted surfaces are cured.
- Make sure the hood and nose of the vehicle have been waxed with a high-quality paste wax.
- Make sure to install the nose mask securely. If the nose mask starts to flap or comes loose while driving, safely pull off the highway, stop the vehicle, and secure or remove the mask.
- The full nose mask cannot be installed with the front under spoiler.

Displaying the License Plate

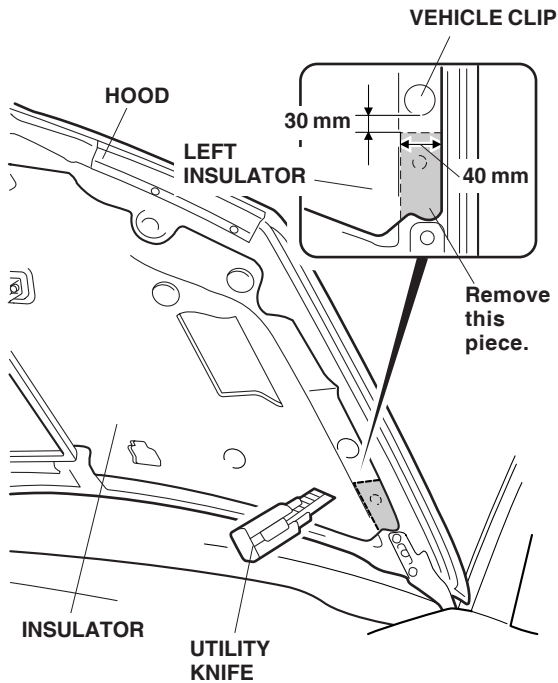
If your state law requires the display of both license plates, cut out the piece of the bumper section that covers the front license plate:

- Face the inside of the mask toward you.
- Carefully cut out the license plate section with scissors at the top seam, and remove the overcast stitching.

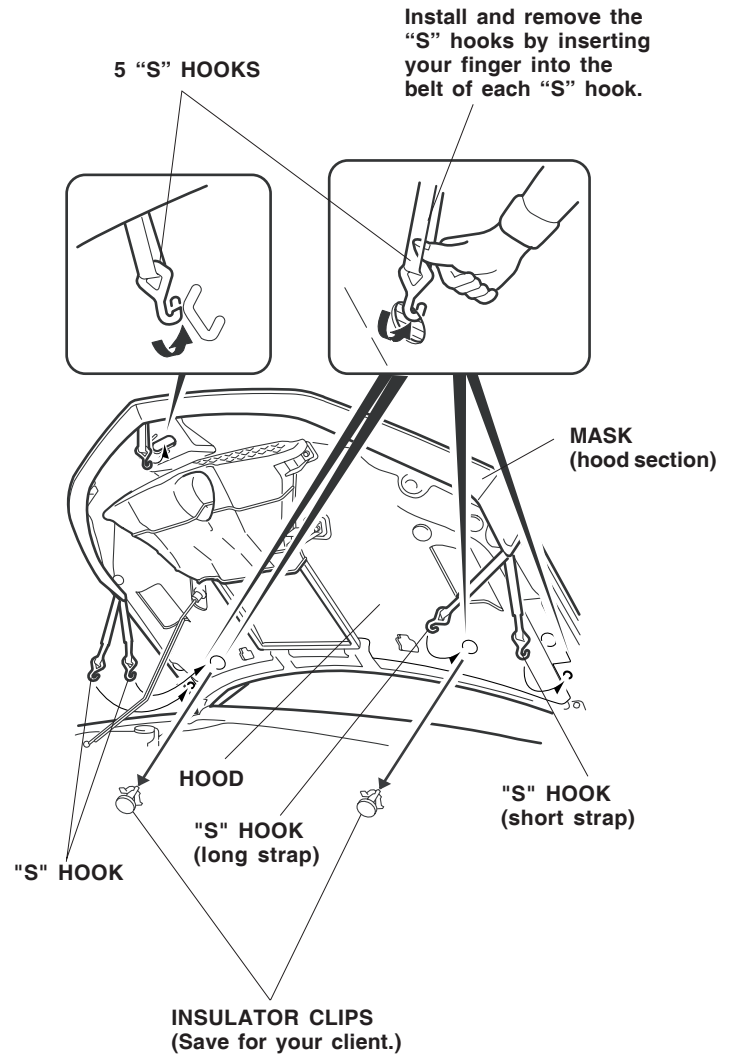


Installing the Hood Section

1. Open the hood. Measure and mark the left insulator from the vehicle clip as shown. Cut the left insulator, and remove the piece to expose the hole underneath.



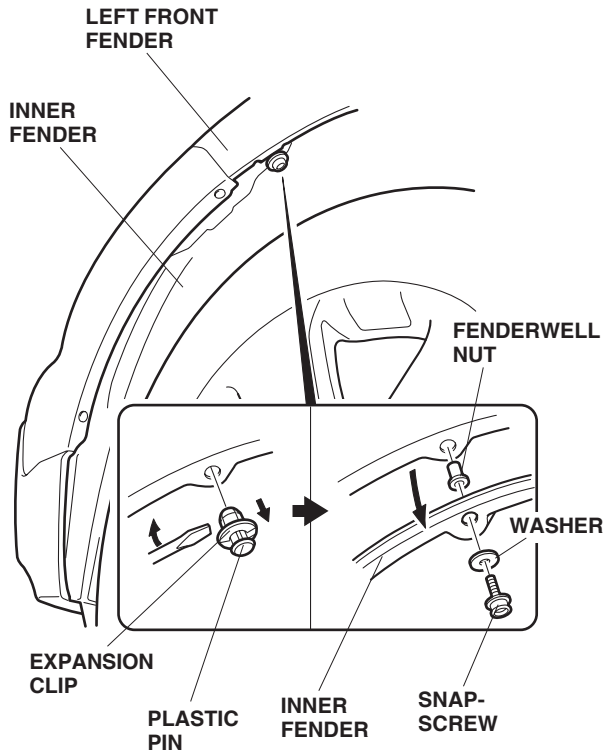
2. Remove the two hood insulator clips. (Do not discard the insulator clips; they can be reinstalled if the mask is removed.)



3. Fit the corners of the mask (hood section) around the hood. Adjust the mask so that it fits smoothly over the edges. Attach the two "S" hooks with the longer strap and red stitching to the inboard holes. Attach the two "S" hooks with the shorter strap to the outboard holes.
 - NOTE: Install and remove the "S" hooks by inserting your finger into the belt of each "S" hook. Pulling the "S" hooks with force can break the "S" hooks and damage the mask hood section.

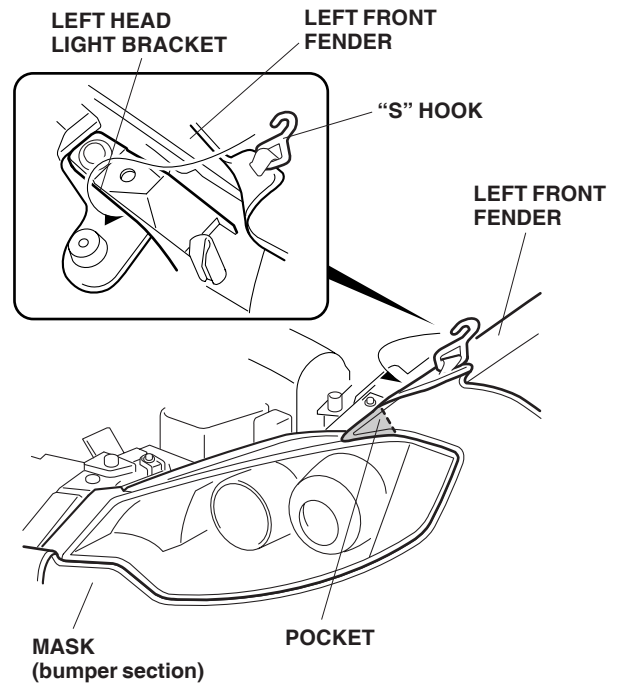
Installing the Bumper Section

- Turn the steering wheel all the way clockwise.

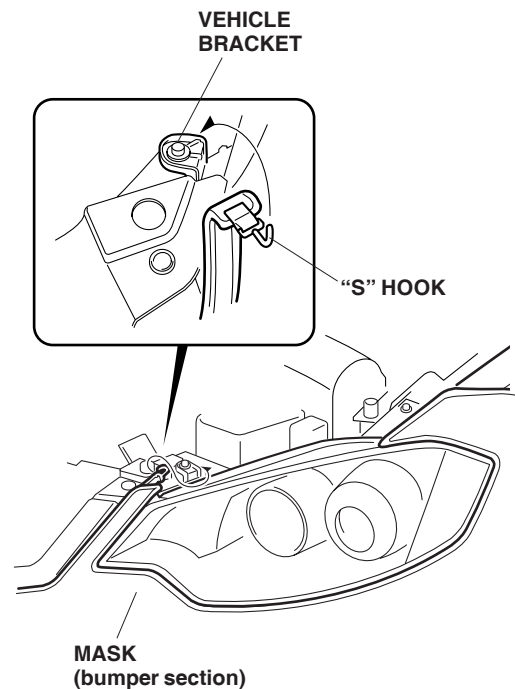


- Pry out the plastic pin, and remove the expansion clip that fastens the inner fender, remove and retain the clip, then clean the area around the hole.
- Pull the inner fender out, and press one fenderwell nut (supplied) into the hole in the fender flange.
- With its washer in place, securely tighten one snap-screw into the fenderwell nut.
- Turn the steering wheel all the way counterclockwise, and repeat steps 5 thru 7 on the right side.

- Slip the pocket of the mask (bumper section) onto the front corner of the left front fender.

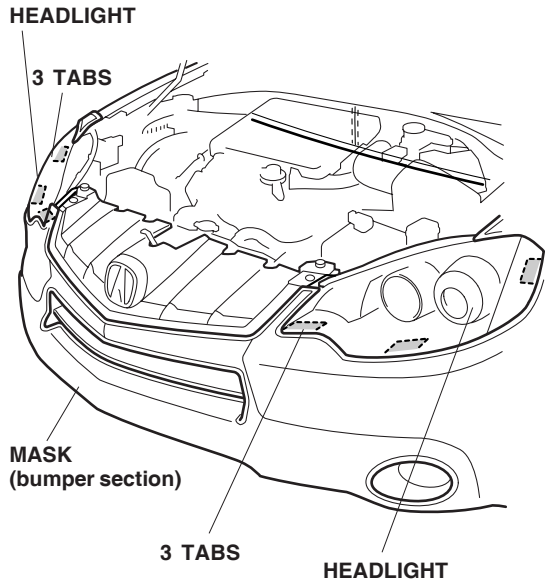


- Attach the "S" hook to the bottom inside edge of the left head light bracket.
- Attach the "S" hook to the vehicle bracket.

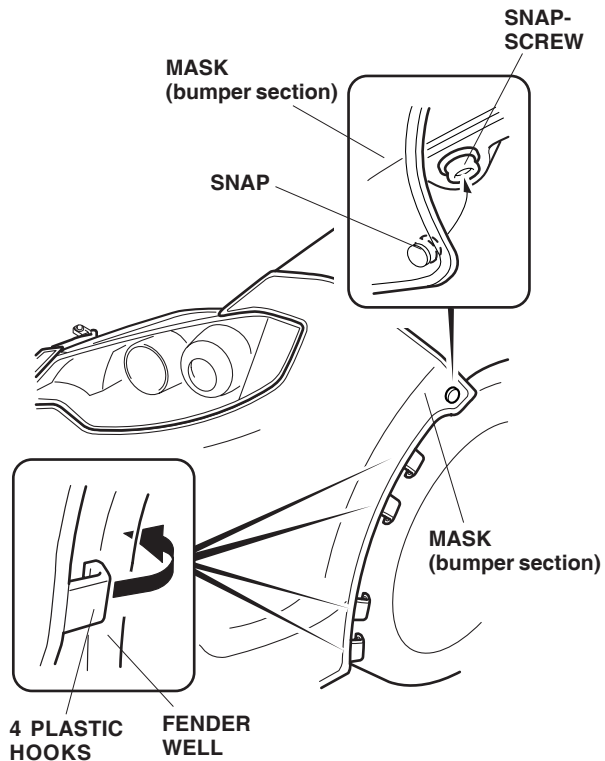


- Repeat steps 9 through 11 on the right side.

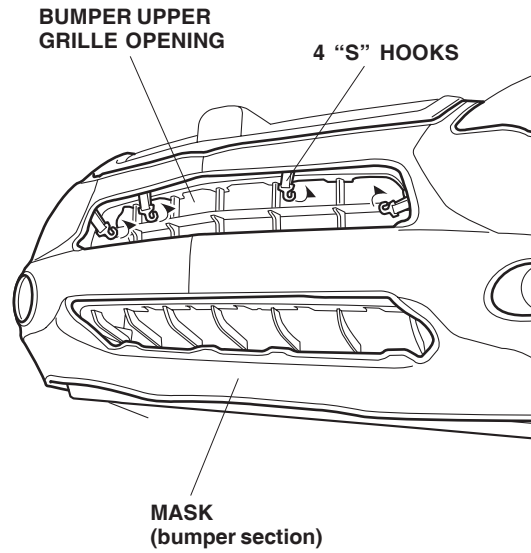
13. Insert the six tabs (three on each side) between the headlight and the front bumper.



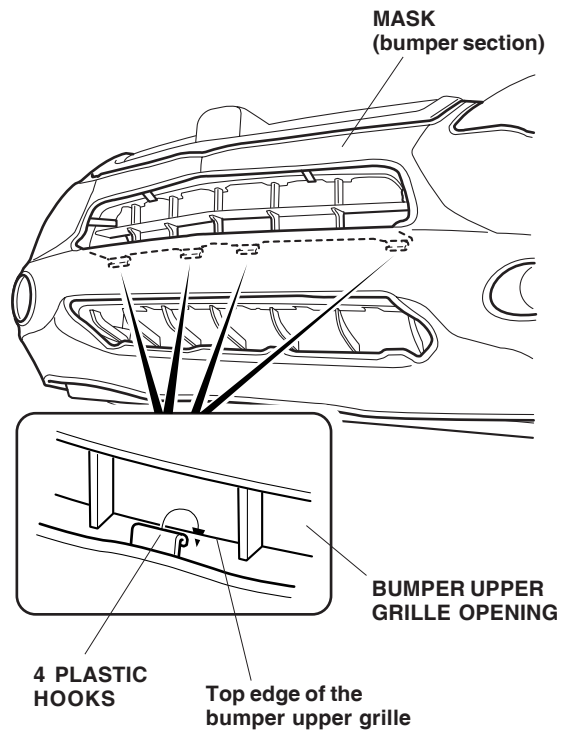
14. Pull the mask back toward the wheelwell, smooth out any wrinkles, and then snap the mask onto the snap-screw. Repeat on the other side.
15. On both sides of the vehicle, attach the four plastic hooks to the fenderwell.



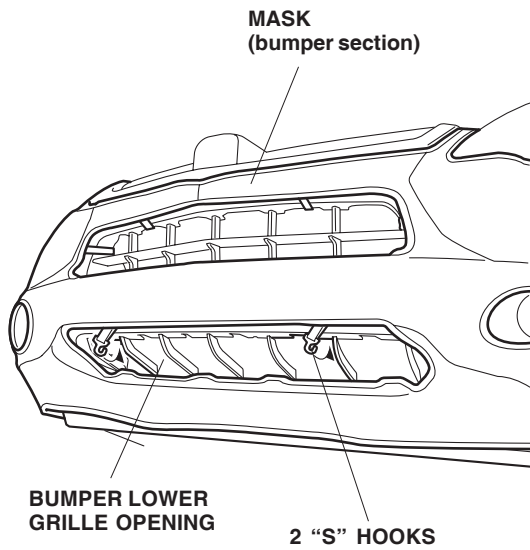
16. Attach the four "S" hooks to the top inside edge of the bumper upper grille opening.



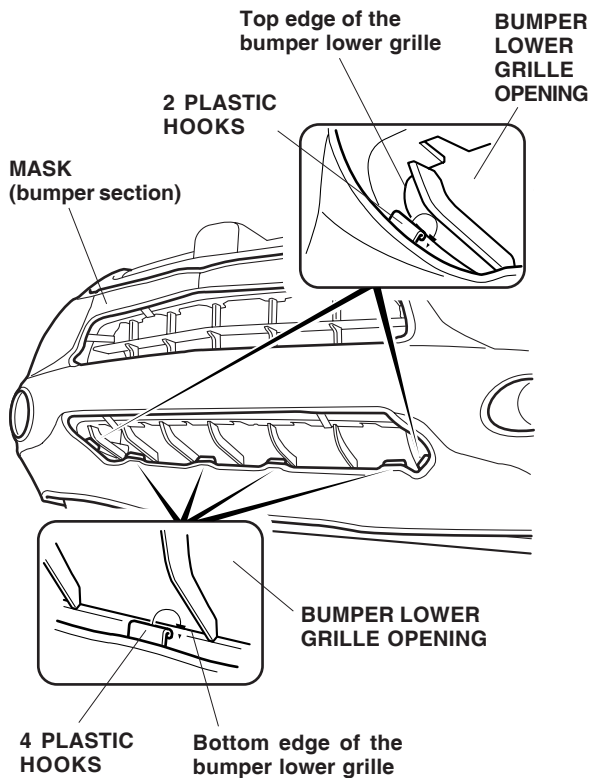
17. Attach the four plastic hooks to the bottom inside edge of the bumper upper grille opening.



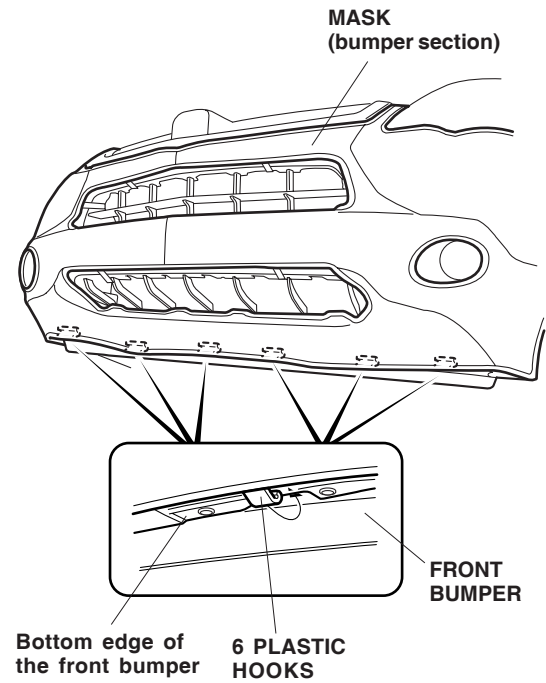
18. Attach the two “S” hooks to the top inside edge of the bumper lower grille opening.



19. Attach the six plastic hooks to the bottom inside edge of the bumper lower grille opening.



20. Attach the six plastic hooks to the bottom inside edge of the front bumper.



21. Put these instructions along with the insulator clips (removed in step 2) and the expansion clips (removed in step 5), into the glove box for future use.

CLEANING THE NOSE MASK

Use a sponge or cloth and a solution of mild liquid dishwashing soap and water to clean the vinyl and the flannel backing. Rinse the mask completely with clean water, and hang it to dry out of direct sunlight. Make sure the mask is completely dry before you reinstall it.