



ACURA INSTALLATION INSTRUCTIONS

Accessory

CARGO NET
P/N 08L96-STK-200

Application

2008 RDX

Publications No.

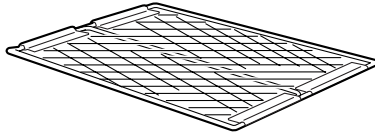
BII 37425

Issue Date

JUL 2007

PARTS LIST

Cargo net



4 Clips



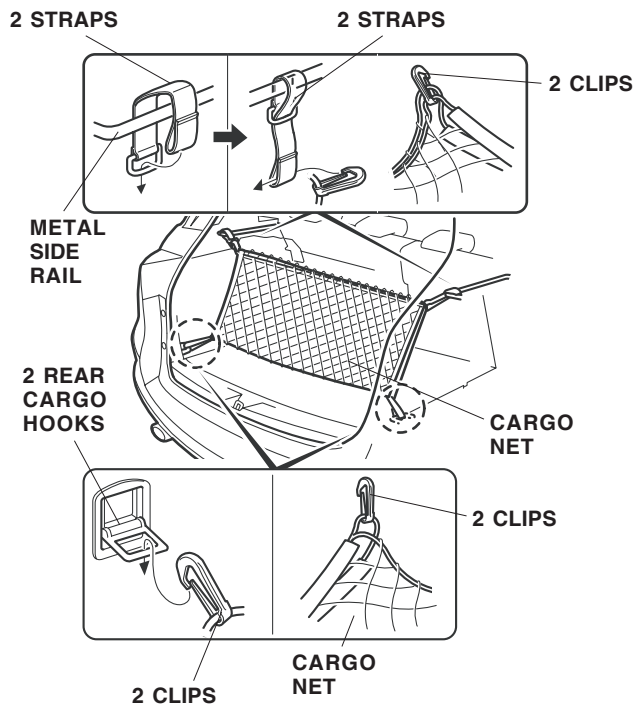
2 Straps



INSTALLATION

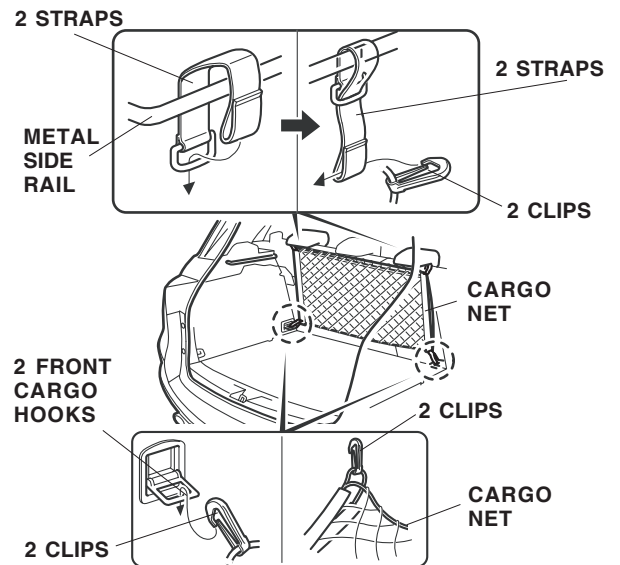
Installing the Cargo Net in Rear Vertical Position:

- Fold the cargo net in half, and attach one clip to each corner of the folded cargo net.
- Attach one strap to the rearward portion of each metal side rail.
- Attach one clip to each rear cargo hook, and attach one clip to each strap.



Installing the Cargo Net in the Front Vertical Position:

- Fold the cargo net in half, and attach one clip to each corner of the folded cargo net.
- Attach one strap to the forward portion of each metal side rail.
- Attach one clip to each front cargo hook, and attach one clip to each upper strap.



Installing the Cargo Net in the Horizontal Position:

- Attach one clip to each corner of the cargo net, then attach the clips to the four cargo hooks in the cargo area.

