

ACURA
INSTALLATION
INSTRUCTIONS

Accessory
CARGO COVER

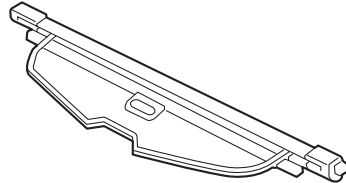
Application
2008 MDX

Publications No.
BII 37673
 Issue Date
AUG 2007

Put this information in the glove box with the vehicle owner's manual.

PARTS LIST

Cargo cover

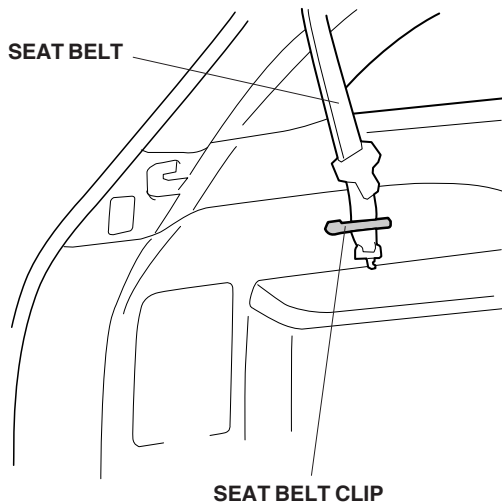


TOOL REQUIRED

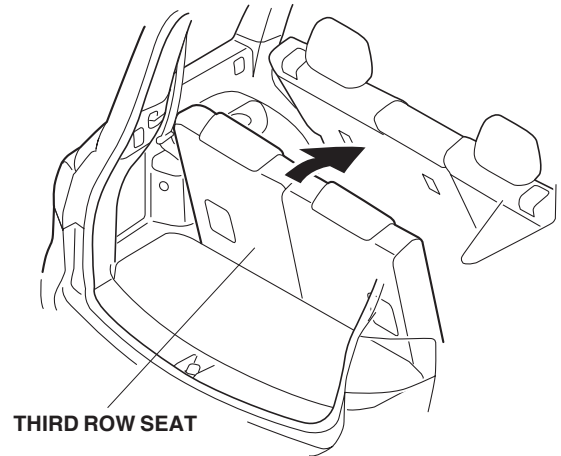
Small flat-tip screwdriver

INSTALLATION

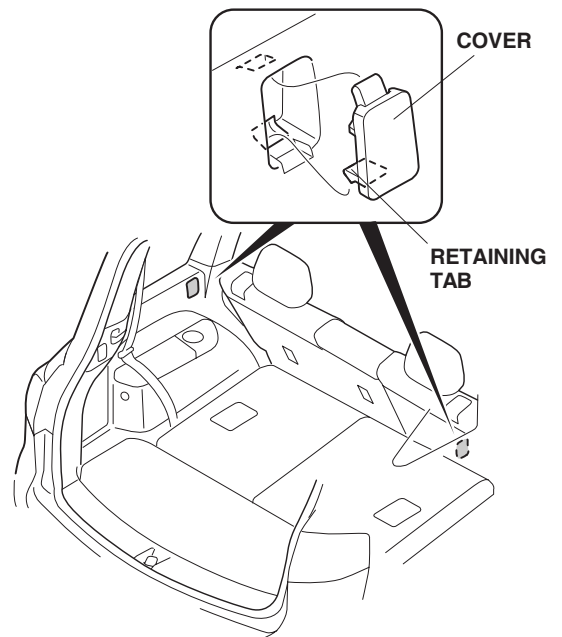
1. Attach the seat belt to the seat belt clip.



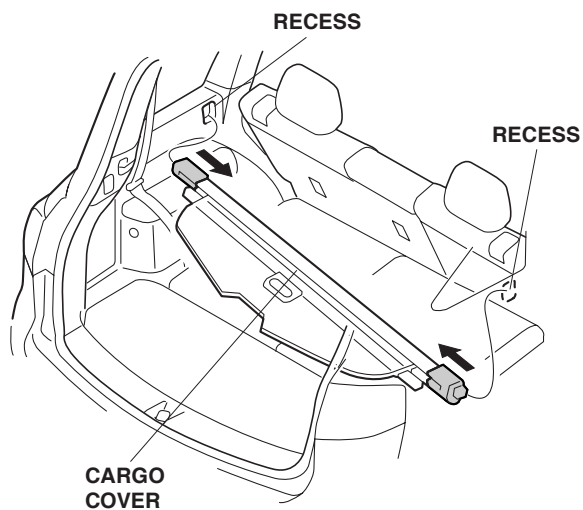
2. Fold down both third row seats.



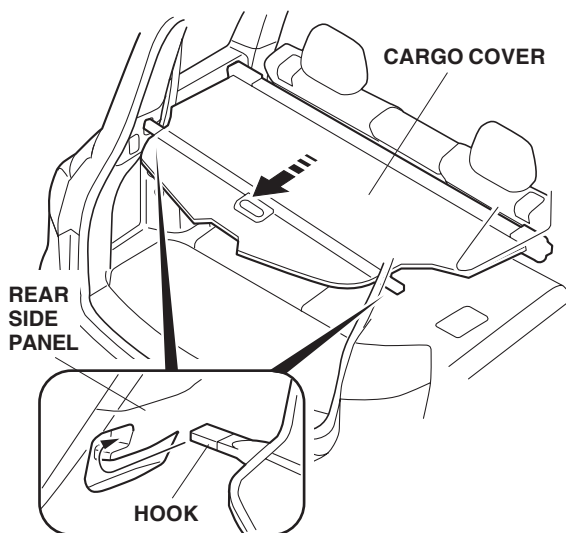
3. Using a small flat-tip screwdriver, remove the right and left rear side panel covers by releasing the retaining tab. Save the covers so they can be reinstalled when the cargo cover is removed.



4. Install the cargo cover into the recess in the left rear side panel in the direction shown, then compress the cargo cover, and install it in the right rear side panel.



5. Attach the right and left hooks to the rear side panel.



CLEANING THE CARGO COVER

Use a sponge or cloth and a solution of mild liquid dishwashing soap and water, then wipe dry with a clean cloth or sponge.